



# Braun Actiroll (Uno/ Duo)

Individual solutions  
for fruit growing and viticulture  
all over the world.

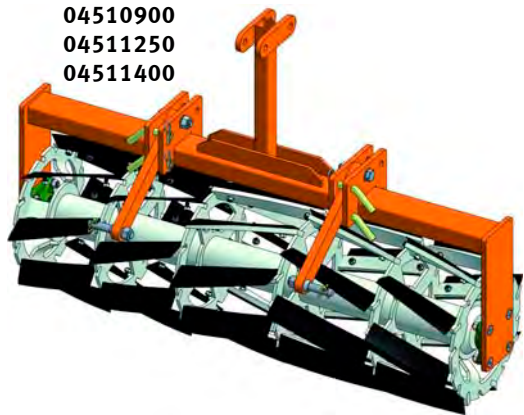
*Made in Germany*



# ACTIROLL *UNO* | *DUO*

- 1 To push down the tall revegetation
- 2 To breakup the soil and organic remains

04510850  
04510900  
04511250  
04511400



## BRAUN Actiroll

### Actiroll *Uno*

The Actiroll Uno is a single roll for direct mounting in the front or rear of the tractor.

The mounting on our cultivator frame *Vario* is also possible.

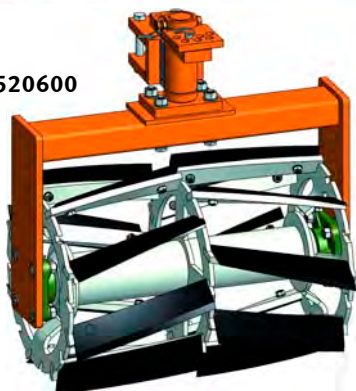
04521250



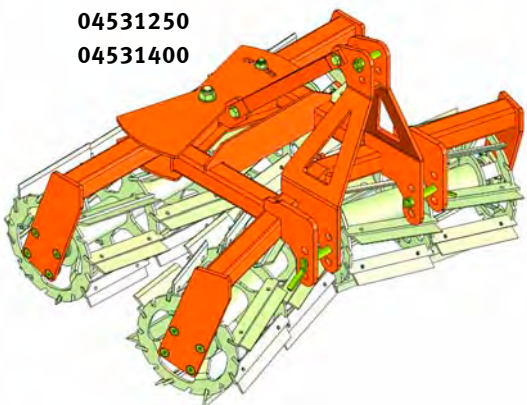
### Actiroll *Duo* | Element with hole pattern adjustment

The width-adjustable version Actiroll *Duo* is a double roller which is modularly integrated into the base frame of the proven X-form disc harrow. Two smaller, angle adjustable rolls form the front row. These can be moved together or apart through the hydraulic width adjustment. The back row consists of a wider roller.

04520600



04530900  
04531250  
04531400



### Actiroll *Standard*

The Actiroll consists of a rigid frame with two series of rollers rows.

The front row is divided into two smaller rollers. These are available in V-form. A width angularly adjustable roll forms the second row.



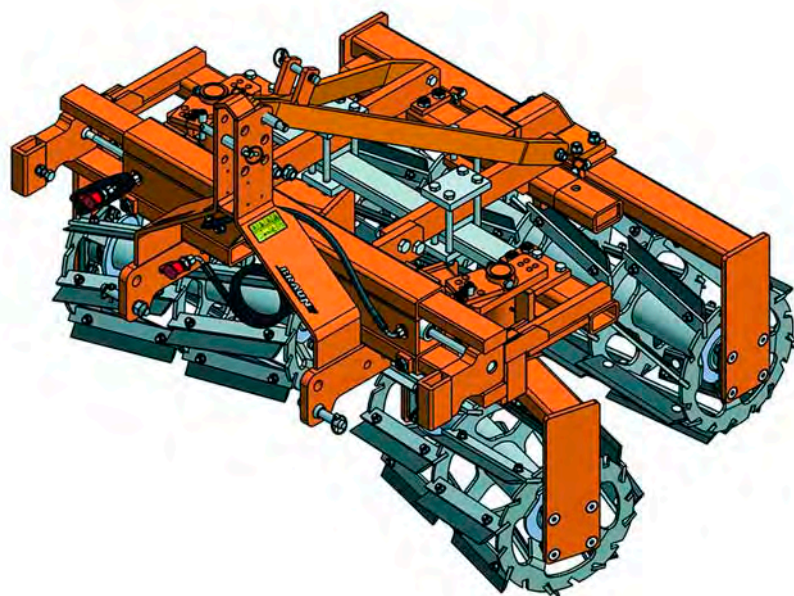
Ref. No.	Article	Weight in kg
04510850	<b>Actiroll Uno</b> Working width 850 mm Overall width 920 mm	220,0
04510900	<b>Actiroll Uno</b> Working width 900 mm Overall width 970 mm	240,0
04511250	<b>Actiroll Uno</b> Working width 1.250 mm Overall width 1.320 mm	290,0
04511400	<b>Actiroll Uno</b> Working width 1.400 mm Overall width 1.470 mm	350,0
04511500	<b>Actiroll Uno</b> Working width 1.500 mm <b>Overall width 1.570 mm</b>	290,0
04511600	<b>Actiroll Uno</b> Working width 1.600 mm <b>Overall width 1.670 mm</b>	350,0
04511800	<b>Actiroll Uno</b> Working width 1.800 mm <b>Overall width 1.870 mm</b>	380,0
04520600	<b>Actiroll with hole pattern adjustment</b>	150,0
04521250	<b>Actiroll Duo</b> Working width 1.250 mm Overall width 1.320 mm <b>Further working widths upon request</b>	290,0
04530900	<b>Actiroll Standard</b> Working width 900 mm Overall width 1.000 mm	455,0
04531250	<b>Actiroll Standard</b> Working width 1.200 mm Overall width 1.300 mm	490,0
04531400	<b>Actiroll Standard</b> Working width 1.400 mm Overall width 1.500 mm <b>Further working widths upon request</b>	525,0



# ACTIROLL UNO | DUO

- 1 To push down the tall revegetation
- 2 To breakup the soil and organic remains

## BRAUN Actiroll Duo Combinations and ordering examples



### Actiroll Duo for row width 1,80 - 2,40 m

Equipped as → **width-adjustable greening roller**  
for full-surface processing in a row

Ref.No.	Article	Quantity
04343	Cultivator Vario HZ 4 BV, hydr. adjustable working width 1.100 - 1.600 mm	1
04306	Mounting frame for Cultivator 600 mm	1
0439011	Cross beam mounting for disc harrow/Rotary star tiller	1
04520600	Set of crumble rollers Actiroll Duo with multiple hole and pin adjustment pattern	1
04521250	Crumble roller Actiroll Duo	1



**Australian Distributor**

**AUSTRALIAN AGRICULTURE & VITICULTURE  
SUPPLIES**

**ph:** 08 8326 0848

**email:** [salesteam@aavsupplies.com.au](mailto:salesteam@aavsupplies.com.au)

**address:** 40A O'Sullivan Beach Rd, Lonsdale, SA 5160

**Web:** [www.aavsupplies.com.au](http://www.aavsupplies.com.au)

