



Braun Mowers

Individual solutions
for fruit growing and viticulture
all over the world.

Made in Germany



MOWER ALPHA 2000 | SENSOTRONIC

- 1 For mowing grassed vineyards and orchards
- 2 For mulching of vine and orchard prunings

BRAUN Mower

Mower Alpha 2000

- hydraulic continuously adjustable
- the warp-resistant base frame with maintenance-free and precision-mounted side plates make the *Alpha 2000* a robust and durable implement.

Working width:

- 1.100 - 1.400 mm
- 1.200 - 1.550 mm
- 1.300 - 1.800 mm
- 1.400 - 1.900 mm
- 1.500 - 2.000 mm
- 1.650 - 2.200 mm
- 1.900 - 2.500 mm

0713180



0710106

Mower Avant with clever details

- features a sturdy construction and specialized design. The tapered form of the mower front pushes trunks to the side and minimizes the risk of vine trunks and stakes getting snagged.
- The linear side thrust is a mechanical function with lock-in adjustment (no tools required). It is also possible to have hydraulic linear side thrust.
- The *Avant* also boasts additional implement mounts, stable support wheels and a robust construction that allows for the mulching of vine prunings.

Working width:

- 1.000 mm
- 1.100 mm
- 1.200 mm

Mower Avant Duplex – the compact BRAUN-Mower for fix alley width

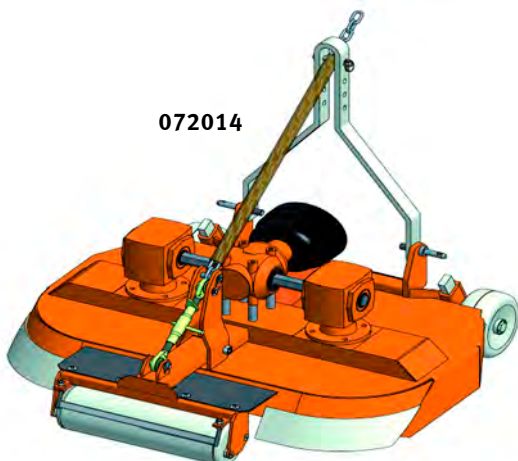
The twin-rotor Mower *Avant duplex* is specifically designed for vineyards with only one row width. The two blade carriers, each with two blades rotating around the axle, ensures a first class cutting process and even distribution of mulch material.

The very compact design is ideal for combination with front mounting implements. Adjustment of the cutting height is continuous rather than at set levels. *Avant duplex* features the same advantages as the *Alpha Mower* (additional equipment mounts, stable support, wheels, robust construction allows for mulching of vine prunings).

Working width:

- 1.400 mm
- 1.500 mm
- 1.600 mm

072014





BRAUN Mower Avant | Alpha

Ref. No.	Article	Weight in kg
0711140	Mower Alpha 2000 Working width 1.100 - 1.400 mm, lower linkage Cat. I	510,0
0712160	Mower Alpha 2000 Working width 1.200 - 1.550 mm, lower linkage Cat. I	535,0
0713180	Mower Alpha 2000 Working width 1.300 - 1.800 mm, lower linkage Cat. I	560,0
0714190	Mower Alpha 2000 Working width 1.400 - 1.900 mm, lower linkage Cat. I	585,0
0715200	Mower Alpha 2000 Working width 1.500 - 2.000 mm, lower linkage, Cat. II (Cat. I upon request)	610,0
0717220	Mower Alpha 2000 Working width 1.650 - 2.200 mm lower linkage, Cat. II (Cat. I upon request)	635,0
0719250	Mower Alpha 2000 Working width 1.900 - 2.500 mm lower linkage, Cat. II	680,0
0710106	Mower Avant Working width 1.000 mm, lower linkage Cat. I	230,0
0711116	Mower Avant Working width 1.100 mm, lower linkage Cat. I	240,0
0712126	Mower Avant Working width 1.200 mm, lower linkage Cat. I The mowers Avant are equipped as standard with chain, mechanical side displacement and adjustable roller without universal-joint shaft	250,0
07002	Power take off shaft with free wheel (for Avant)	20,0
072001	Hydraulic side displacement (for Avant)	20,0
072014	Mower Avant Duplex 140 Working width 1.400 mm, lower linkage Cat. I	420,0
072015	Mower Avant Duplex 150 Working width 1.500 mm, lower linkage Cat. I (Cat II upon request)	460,0
072016	Mower Avant Duplex 160 Working width 1.600 mm, lower linkage Cat. I (Cat II upon request)	500,0



MOWER ALPHA 2000 | SENSOTRONIC

- 1 For mowing grassed vineyards and orchards
- 2 For mulching of vine and orchard prunings

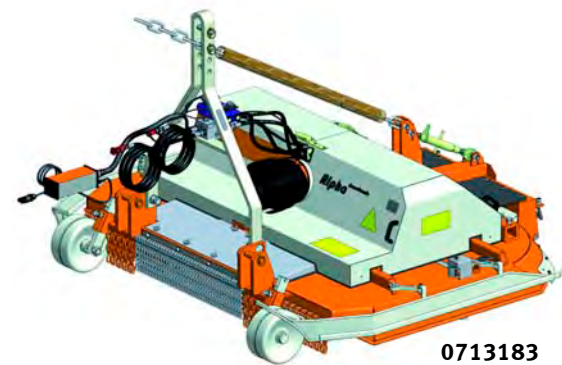
BRAUN Mower



Mower Alpha 2000 Front/Rear

for all tractors with reversible seat or as front mounting for all tractors and caterpillars with front power take-off.

The mower Alpha 2000 can be optionally powered with an oil motor.



0713183

Mower Alpha sensotronic

The intelligent BRAUN Mower Alpha sensotronic can automatically adjust the working width with its instant sensing device. The 250 mm per cylinder stroke results in a width adjustment range of 500 mm (with Alpha sensotronic 1.300-1.800 mm)

Integrated electronic control enables the following possibilities:

1) Double-sided automated operation

Individual scanning with sensors and the asymmetrical piloting allow for the sides to adjust to the width of the row independently of one another.

2) One-sided automated operation (i.e. on terraced terrain)

Both sides can be separately switched into the automatic mode. With the electronic control, the side that faces into the slope can be manually positioned. The side leaning towards the vine row can be contacted with the sensor. This prevents a side of the Mulcher from pushing into the slope.

3) Manual control

In manual mode each side of the Mower can be individually set at a specific width either apart or together and this width can be fixed.



00713027

Complete set of blades, for Mower Alpha and Avant Duplex



BRAUN Mower Avant | Alpha

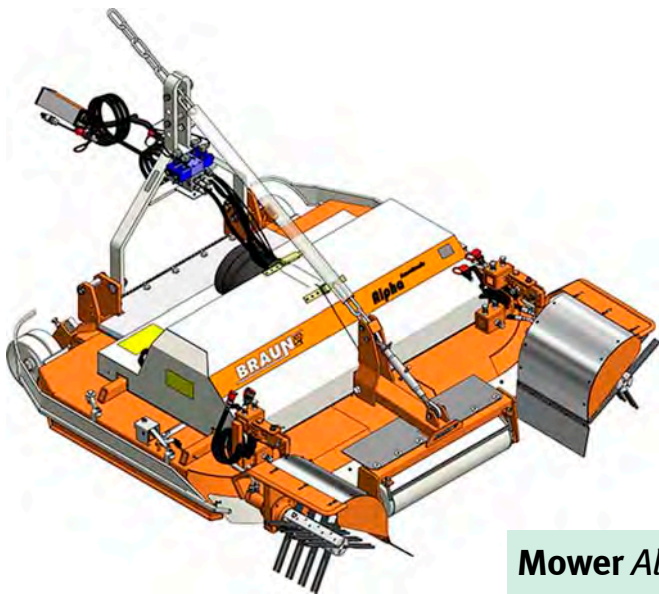
Ref. No.	Article	Weight in kg
0712163	Mower Alpha sensotronic Working width 1.200 - 1.550 mm, lower linkage Cat. I	520,0
0713183	Mower Alpha sensotronic Working width 1.300 - 1.800 mm, lower linkage Cat. I	540,0
0714193	Mower Alpha sensotronic Working width 1.400 - 1.900 mm, lower linkage Cat. I	580,0
0715203	Mower Alpha sensotronic Working width 1.500 - 2.000 mm, lower linkage Cat. II (Cat. I upon request)	610,0
0717223	Mower Alpha sensotronic Working width 1.650 - 2.200 mm, lower linkage Cat. II (Cat. I upon request)	680,0
0719253	Mower Alpha sensotronic Working width 1.900 - 2.500 mm, lower linkage Cat. II The mowers <i>Alpha</i> are equipped as standard with supporting wheels without universal-joint shaft	720,0
07005	Power take off shaft with free wheel & friction clutch (for Alpha)	15,0
070051	Power take off with overriding clutch for front mounted mower	15,0
07006	Extra charge for front mounting: Mower with front mounting only	45,0
07007	Mower for front and rear mounting, with through shaft	45,0
07009	Mower for front and rear mounting with additional gear unit	45,0
00713027	Complete set of blades, for Mower Alpha and Avant Duplex	8,7
04394	Spacers for tool attachment, adjustable in height Mounting bracket with positioning clamps, 90° rotated (50 x 50)	6,6
002913501700	Equipment mounting angle, shifted on top (350 x 170)	10,4
002923501700	Equipment mounting angle, shifted underneath (350 x 170)	10,4



MOWER ALPHA 2000 | SENSOTRONIC

- 1 For mowing grassed vineyards and orchards
- 2 For mulching of vine and orchard prunings

BRAUN Mower Combinations and ordering examples



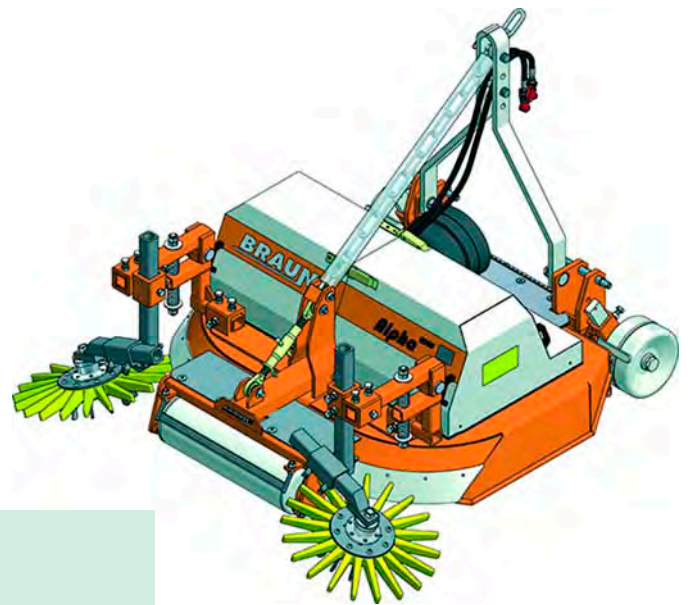
Mower Alpha sensotronic

Equipped with → **Vine Trunk Cleaners**
for simultaneously mowing grassed aisles
and cleaning vine trunks

Ref. No.	Article	Quantity
0719253	Mower Alpha sensotronic, Working width 1,90 - 2,50 m	1
07005	Power take off shaft (with free wheel and friction clutch) (not shown)	1
03109	Adapter for mounting the vine trunk cleaner on mowers, right	1
03110	Adapter for mounting the vine trunk cleaner on mowers, left	1
03101	Vine trunk cleaner W1, right	1
03102	Vine trunk cleaner W1, left	1



BRAUN Mower Avant | Alpha | Combinations



Mower Alpha 2000

Equipped with → **Finger weeders**
for simultaneously mowing grassed aisles
and controlling weed mechanically

Ref. No.	Article	Quantity
0713180	Mower Alpha 2000, Working width 1,30 - 1,80 m	1
07005	Power take off shaft (with free wheel and friction clutch) (not shown)	1
01183	Mounting bracket for Finger weeder on Mower, right	1
011831	Mounting bracket for Finger weeder on Mower, left	1
04394	Bracket for corner clamp, adjustable	2
011802	Finger weeder Ø 540 mm medium (yellow), with adjustable handle	2



Australian Distributor

**AUSTRALIAN AGRICULTURE & VITICULTURE
SUPPLIES**

ph: 08 8326 0848

email: salesteam@aavsupplies.com.au

address: 40A O'Sullivan Beach Rd, Lonsdale, SA 5160

Web: www.aavsupplies.com.au

