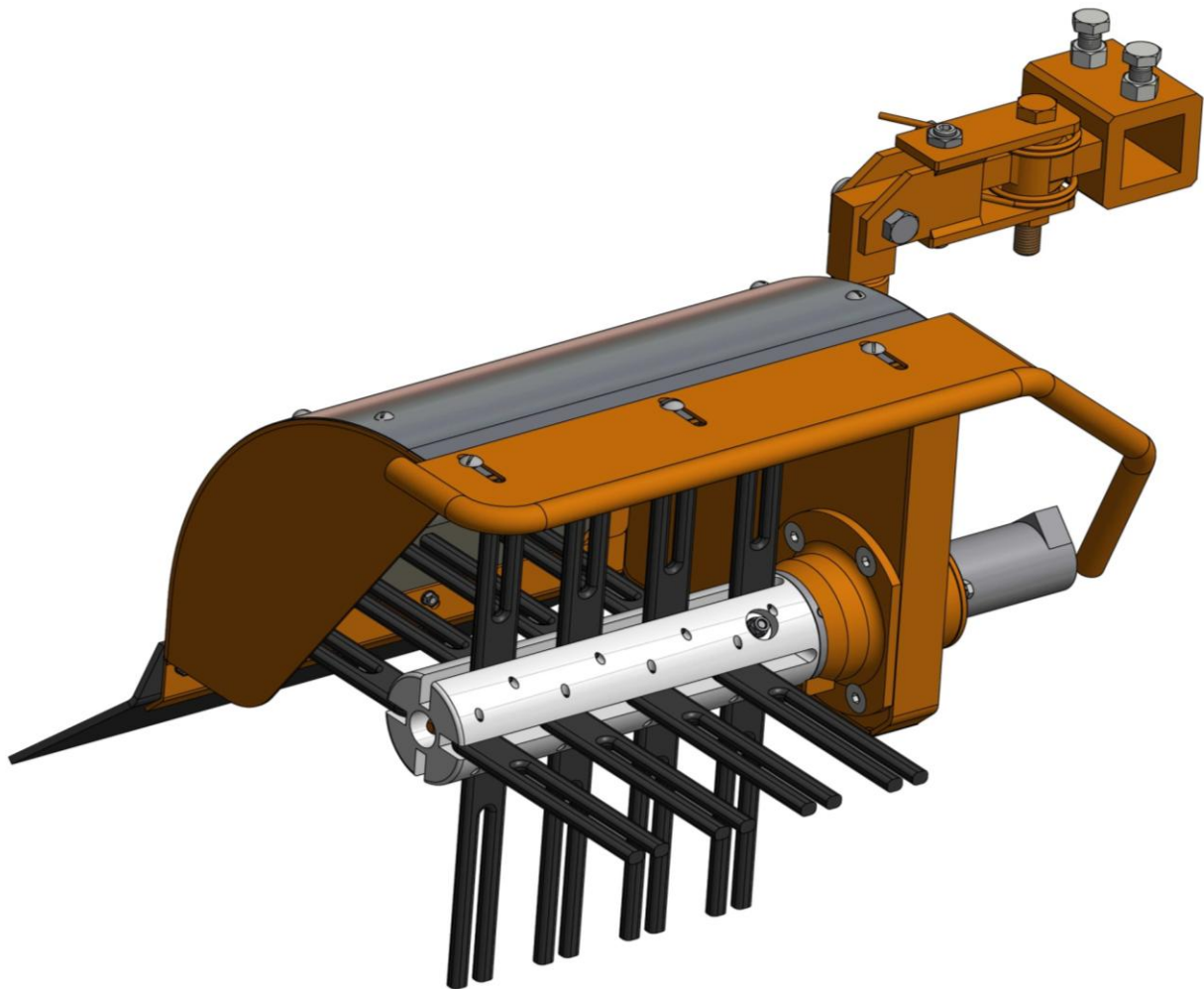


BRAUN - Spare parts list 2019

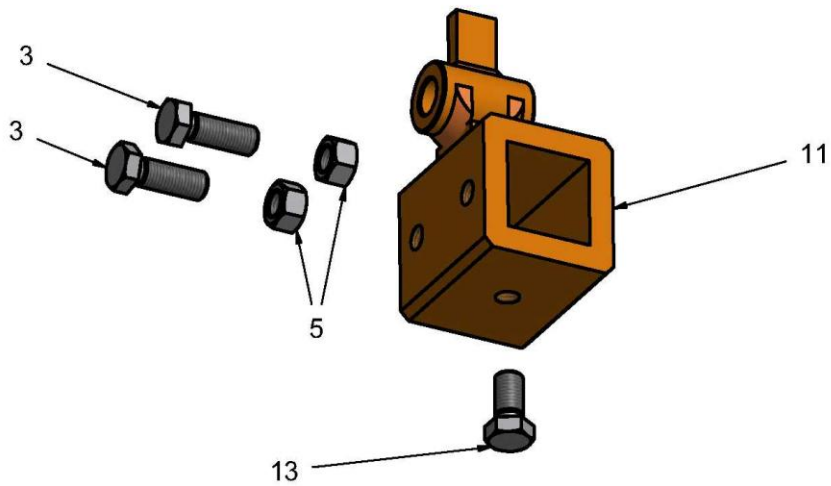
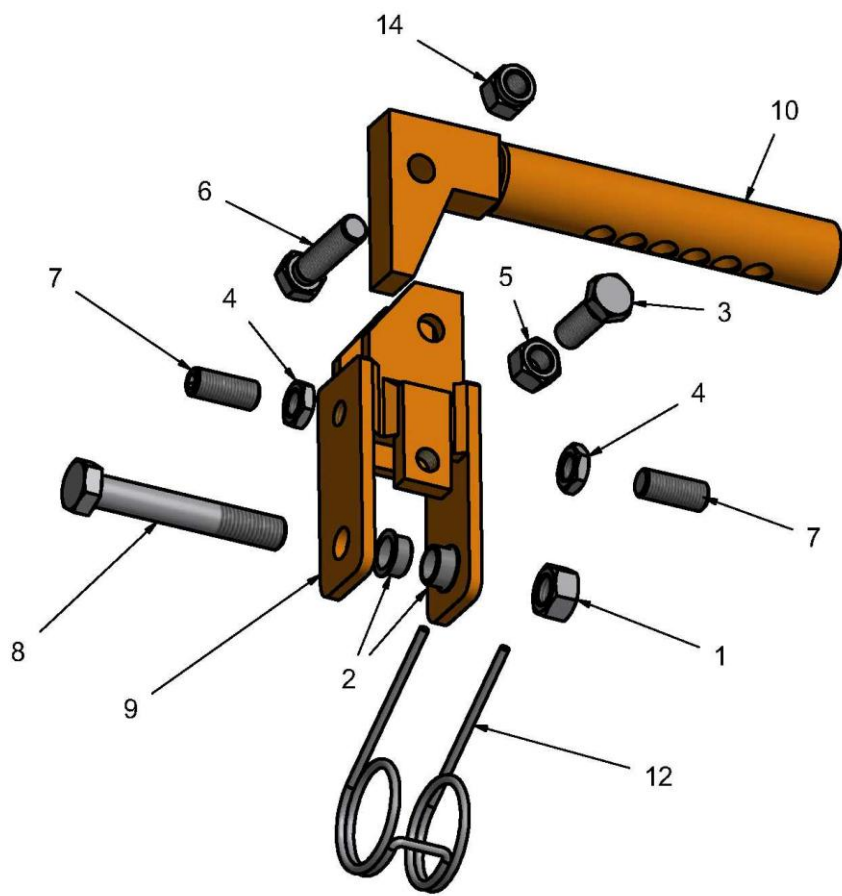
Vine Trunk Cleaner W1/W2



Braun Maschinenbau GmbH
Albert-Einstein-Straße 10
D-76829 Landau/Pfalz
Tel. 06341 - 9505500
Fax 06341 - 9505522

info@braun-maschinenbau.de
www.braun-maschinenbau.de

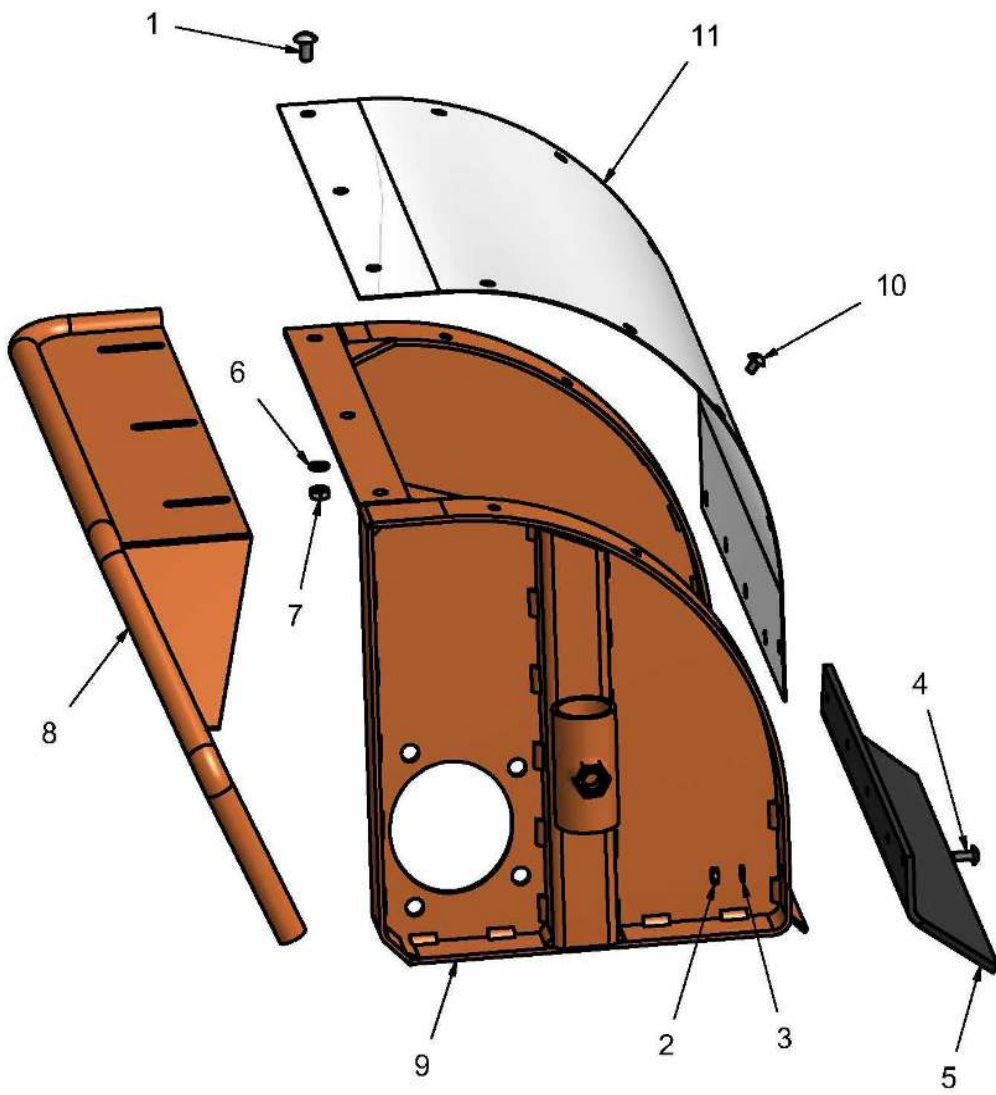




Spare parts list 2019 - Vine Trunk Cleaner W1/W2

Fig.	Item No.	Description	Notes
	(00310101) (00310201)	complete mounting head for vine stem cleaner R/H complete mounting head for vine stem cleaner L/H	
1	15018101	hexagonal nut 8.8 M18 1/1 Zn	
2	451830	Flanged bush 18x30	
3	101164501	Hexagon screw 8.8M16x45 Zn	
4	15016091	Hexagon nut 8.8 M16 1/2 Zn	
5	15016121	hexagon nut 10.9 M16 1/1 bl	
6	101166001	Hexagon screw 8.8 M16x60 Zn	
7	127164001	Threaded pin M16x40 Zn	
8	1021812000	Hexagon screw 8.8. M18x120 bl	
9	0031010102 (0031020102)	Joint W1 R/H Joint W1 L/H	
10	0031010103 (0031020103)	Joint bar W1 Left/Right Rod, vine trunk cleaner W1 right/left with long head	
11	0031010101 (0031020101)	pocket with socket R/H pocket with socket L/H	
12	9260555	Leg spring W1 ø5 x ø60 x 55	
13	101162523	hexagon bolt 10.9 M16x25 GEO	
14	15116101	Nut metallic 8.8 M 16 / 1/1 Zn	

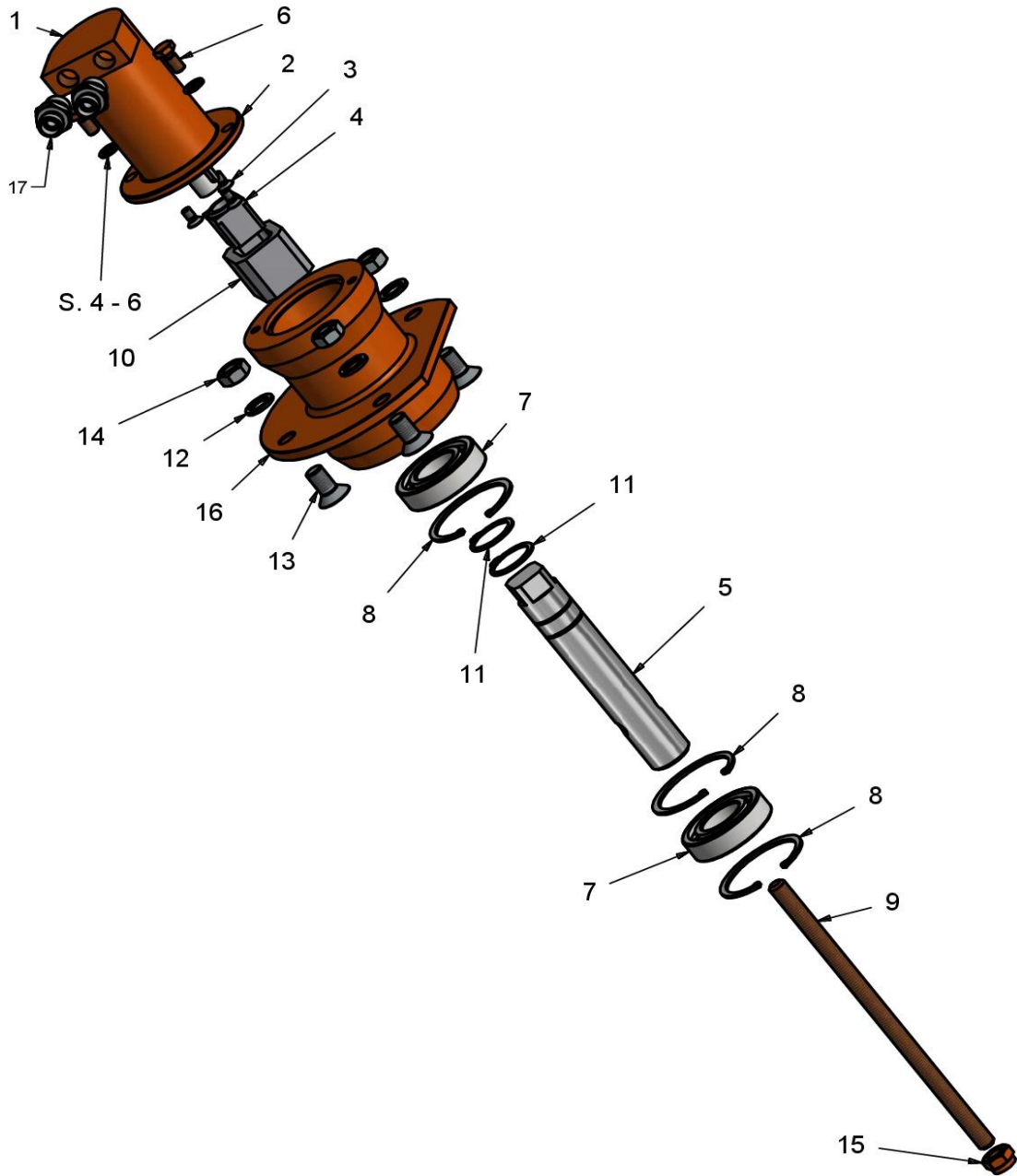
*The prices of the spare parts marked with * are available on request.
 Articles listed in brackets are not included in the illustration.
 The terms "left" and "right" always refer to the driving direction.*



Spare parts list 2019 - Vine Trunk Cleaner W1/W2

Fig.	Item No.	Description	Notes
	(00310102) (00310202)	cage complete R/H cage complete L/H	
1	148082001	Pan head screw M8x20 Zn	
2	15006101	hexagonal nut 8.8 M6 1/1 Zn	
3	20306111	circlip M6 Zn	
4	148062591	Pan head screw M6x25 Zn	
5	003101020401	Dust protection rubber W1	
6	20308101	circlip M8 Zn A	
7	15008101	Hexagon nut 8.8 M8 1/1 Zn	
8	0031010203 (0031020203)	deflector vine stem cleaner W1 R/H deflector vine stem cleaner W1 L/H	
9	0031010201 (0031020201)	cage W1 R/H cage W1 L/H	
10	148061291	cup screw M6x12 Zn	
11	0031010202	Cover plate W1, R/H + L/H	

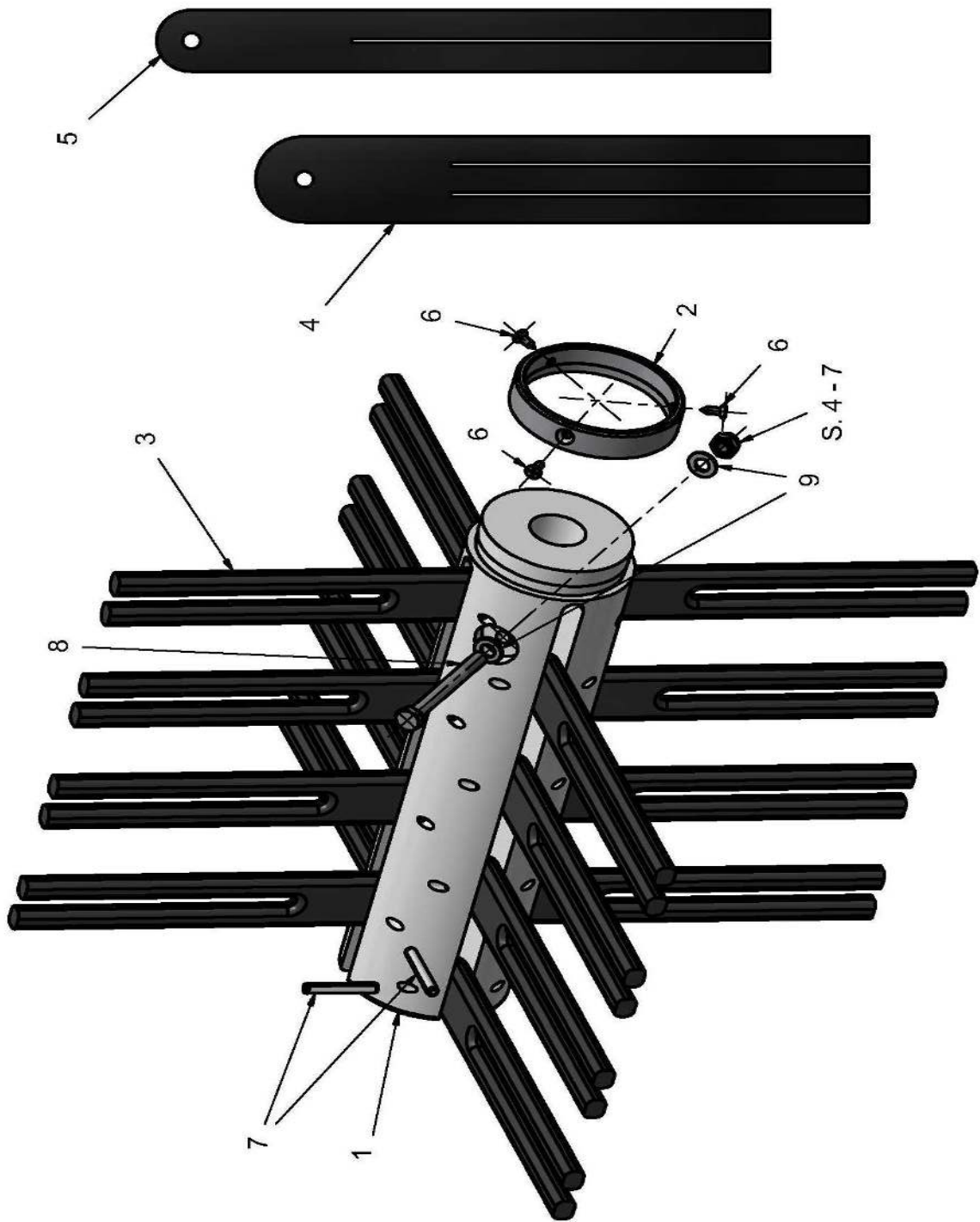
*The prices of the spare parts marked with * are available on request.
Articles listed in brackets are not included in the illustration.
The terms "left" and "right" always refer to the driving direction.*



Spare parts list 2019 - Vine Trunk Cleaner W1/W2

Fig.	Item No.	Description	Notes
	(00310103) (00310203)	Input shaft complete R/H Input shaft complete L/H	
1	58022016	Hydraulic motor OMM 20	
2	003101030204	flange for oil motor OMM	
3	136061291	counter sunk screw 4.8 M6x12 Zn	
4	003101030205	Clutch element for vine stem cleaner	
5	003101030401	Bearing shaft for vine steam cleaner	
6	101082001	Hexagon bolt 8.8 M8x20 Zn	
7	30620620	Grooved ball bearing 6206 2RS NB	
8	210620	Circlip I62	
9	003101030402	Thread bar for vine steam cleaner	
10	003101030403	Clutch sleeve for vine steam cleaner	
11	210301	Circlip A30	
12	20312101	Circlip M12 Zn Form A	
13	139122501	Counter sunk screw 8.8 M12x25 Zn	
14	15012101	Hexagonal nut 8.8 M 12 1/1 Zn	
15	15112101	hexagonal screw nut 8.8 M 12 1/1 Zn	
16	003101030200 (003102030200)	bearing head for vine stem cleaner W1 R/H bearing head for vine stem cleaner W1 L/H	
17	50061261	Straight screwed coupling GEV 12L R3/8 (16,5mm)	

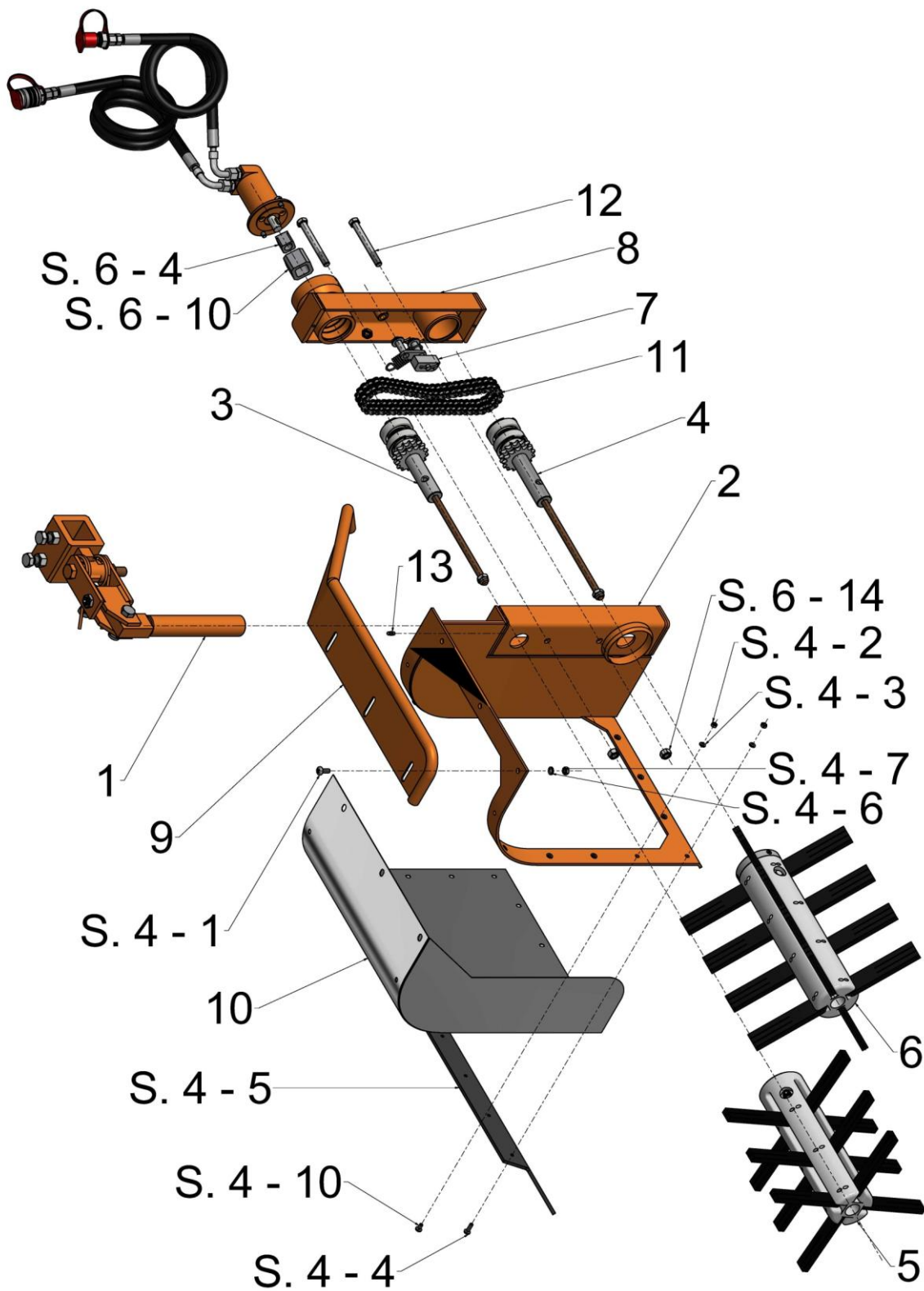
*The prices of the spare parts marked with * are available on request.
 Articles listed in brackets are not included in the illustration.
 The terms "left" and "right" always refer to the driving direction.*



Spare parts list 2019 - Vine Trunk Cleaner W1/W2

Fig.	Item No.	Description	Notes
	<i>(00310104)</i> <i>(00310204)</i>	plastic roll complet for vine stem cleaner R/H plastic roll complet for vine stem cleaner L/H	
1	0031010401	plastic roll W1	
2	0031010402	Thrust ring for plastic roll	
3	0031011	Rubber puncher W1	
4	0031012	Rubber puncher RP W1, long large	
5	0031013	Rubber puncher W1 long thinn	
6	1370481391	Countersunk cross head sheet metal srew 4,8x13 Zn	
7	62064000	Dowel pin M6x40 bl	
8	102088001	Hexaqon screw 8.8 M8x80 Zn	
9	20108401	Washer M8 Zn	

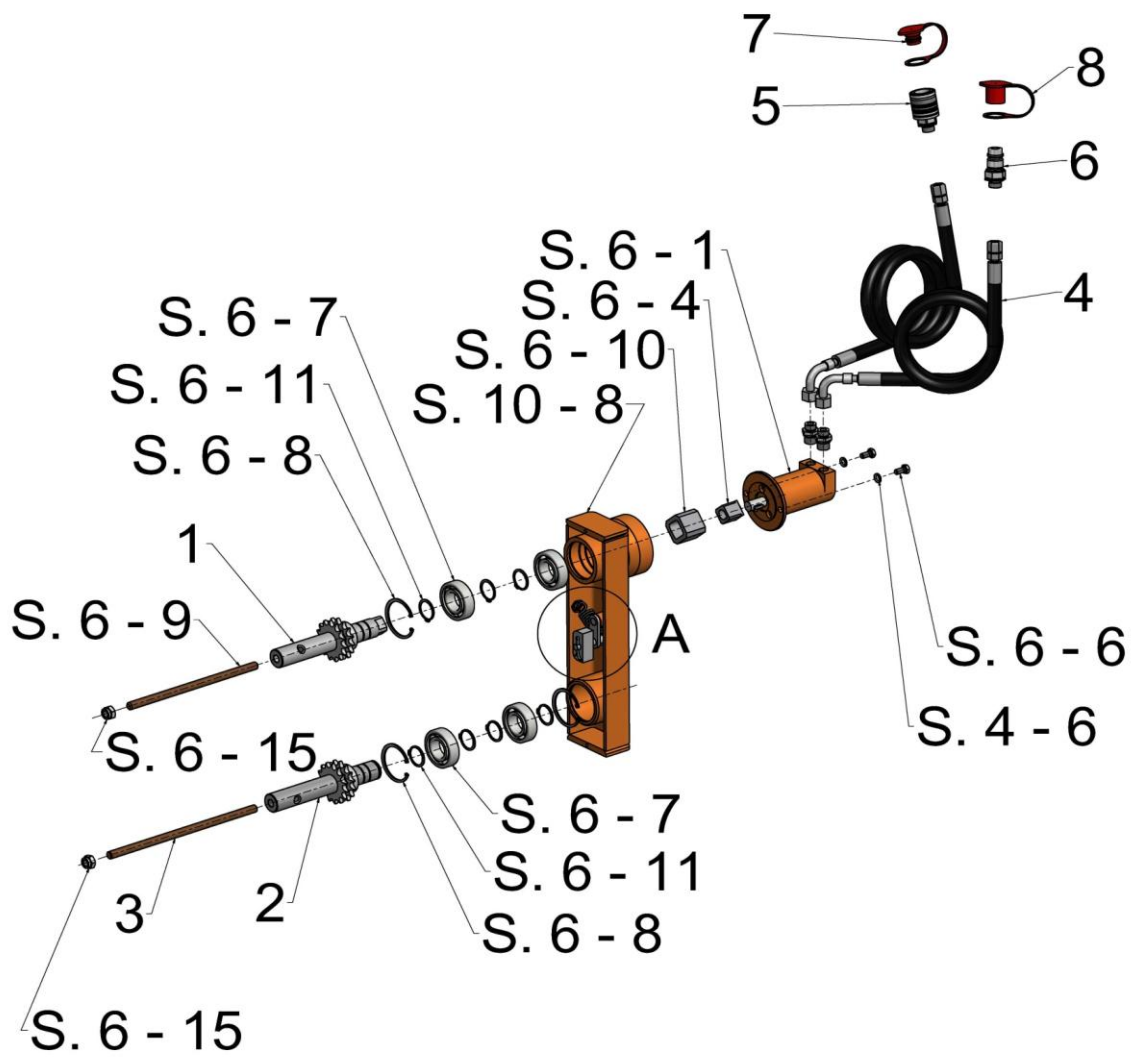
*The prices of the spare parts marked with * are available on request.
 Articles listet in brackets are not included in the illustration.
 The terms "left" and "right" always refer to the driving direction.*



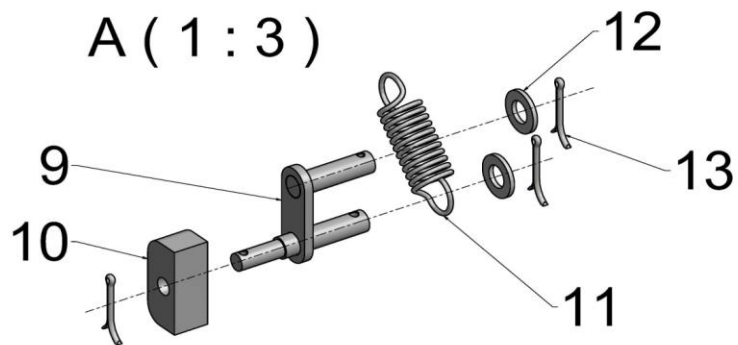
Spare parts list 2019 - Vine Trunk Cleaner W1/W2

Fig.	Item No.	Description	Notes
1	00310101	complete mounting head for vine stem cleaner R/H	
2	00310501 (00310601)	Cage W1, right cage W2, left	
3	00310502	upper input shaft RPW2	
4	00310503	lower input shaft W2	
5	00310504	RPW2 flail shaft, top, complete	
6	00310505	Flail shaft, bottom, complete, RPW2	
7	00310507	chain tensioner	
8	00310512 (00310612)	Transmission cover with bushes RPW2, right Transmission cover with bushes RPW2, left	
9	00310509 (00310602)	Deflector brace RP W2, right Deflector brace RP W2, left	
10	00310513 (00310613)	Cover plate W2, R/H Cover plate W2, L/H	
11	9900038	Chain with lock for RPW2	
12	1021211001	Hexagon bolt 8.8 M12x110 bl	
13	9406	Grease nipple M6 x 1 straight	

*The prices of the spare parts marked with * are available on request.
 Articles listed in brackets are not included in the illustration.
 The terms "left" and "right" always refer to the driving direction.*



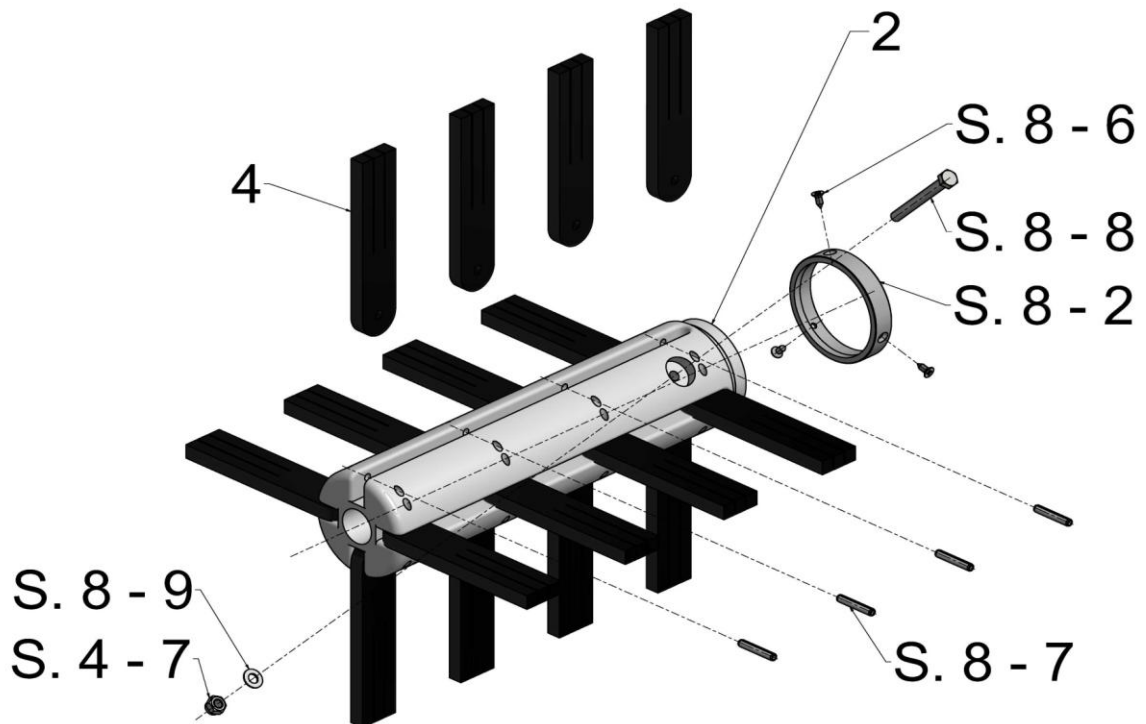
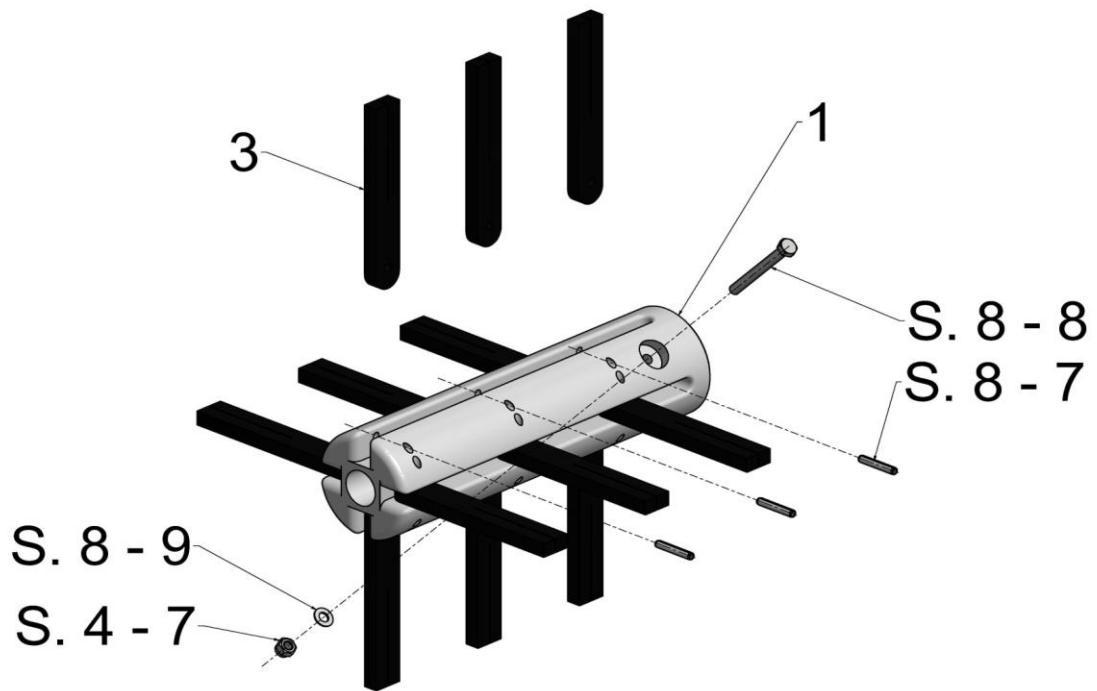
A (1 : 3)



Spare parts list 2019 - Vine Trunk Cleaner W1/W2

Fig.	Item No.	Description	Notes
	(00310502) (00310503)	upper input shaft RPW2 lower input shaft W2	
	(00310507)	chain tensioner	
1	00310510	Welded gear shaft for RPW 2, top	
2	00310511	Welded gear shaft for RPW 2, bottom	
3	0031050302	Threaded rod, drive shaft RPW2, bottom	
4	5406012100350	Hydraulic tube NW10x350	
5	510118	Female snap coupling M18x1,5	
6	510318	male snap coupling M18x1,5	
7	5102	Female Dust cap	
8	5104	Dust cap for hydro connector	
9	00310514	Chain tensioner RPW2 welded assembly	
10	0031050701	Plastic slide for chain tensioner	
11	92253350	Tension spring for chain tensioner RPW2	
12	2011301	U washer M12 Zn	
13	61032321	Split pin 3.2x32 Zn	

*The prices of the spare parts marked with * are available on request.
 Articles listed in brackets are not included in the illustration.
 The terms "left" and "right" always refer to the driving direction.*



Spare parts list 2019 - Vine Trunk Cleaner W1/W2

Fig.	Item No.	Description	Notes
	<i>(00310504)</i> <i>(00310505)</i>	RPW2 flail shaft, top, complete Flail shaft, bottom, complete, RPW2	
1	0031050401	Flail shaft RPW2, top	
2	0031050501	Flail shaft RPW2, bottom	
3	0031072	Rubber flail W2, 750 mm narrow (to be replaced by 0031052)	
4	0031071	Rubber flail for vine trunk cleaner W2, 750 mm - wide (to be replaced by 0031051)	

*The prices of the spare parts marked with * are available on request.
 Articles listed in brackets are not included in the illustration.
 The terms "left" and "right" always refer to the driving direction.*