

Braun Vineyard Pilot Assist

Individual solutions
for fruit growing and viticulture
all over the world.

Made in Germany



VPA VINEYARD PILOT ASSISTANT

- 1 Autonomous positioning of implements to the trunk
- 2 Partially autonomous driving in the vineyard rows
- 3 Greater area performance with improved work result

The future. Now.

BRAUN VPA system



Better work results



Greater area performance



Increased work capacity



Lower fuel consumption



Reduced soil compaction



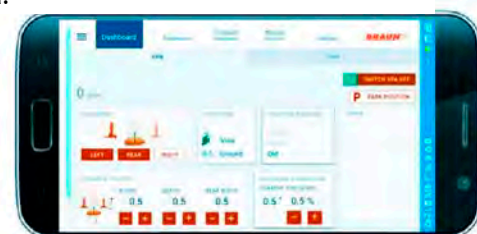
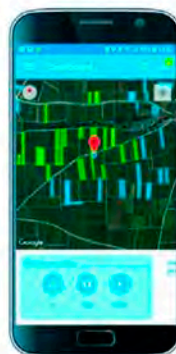
Eliminated damage to vines and supports



Two year Vineyard Cloud subscription

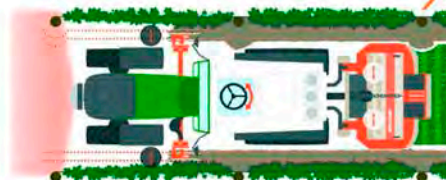
Intuitive operation via Tablet

The tap of one finger enables you to drive through the row completely relaxed.



Vineyard  Cloud

Automatic documentation and process management of all work performed.



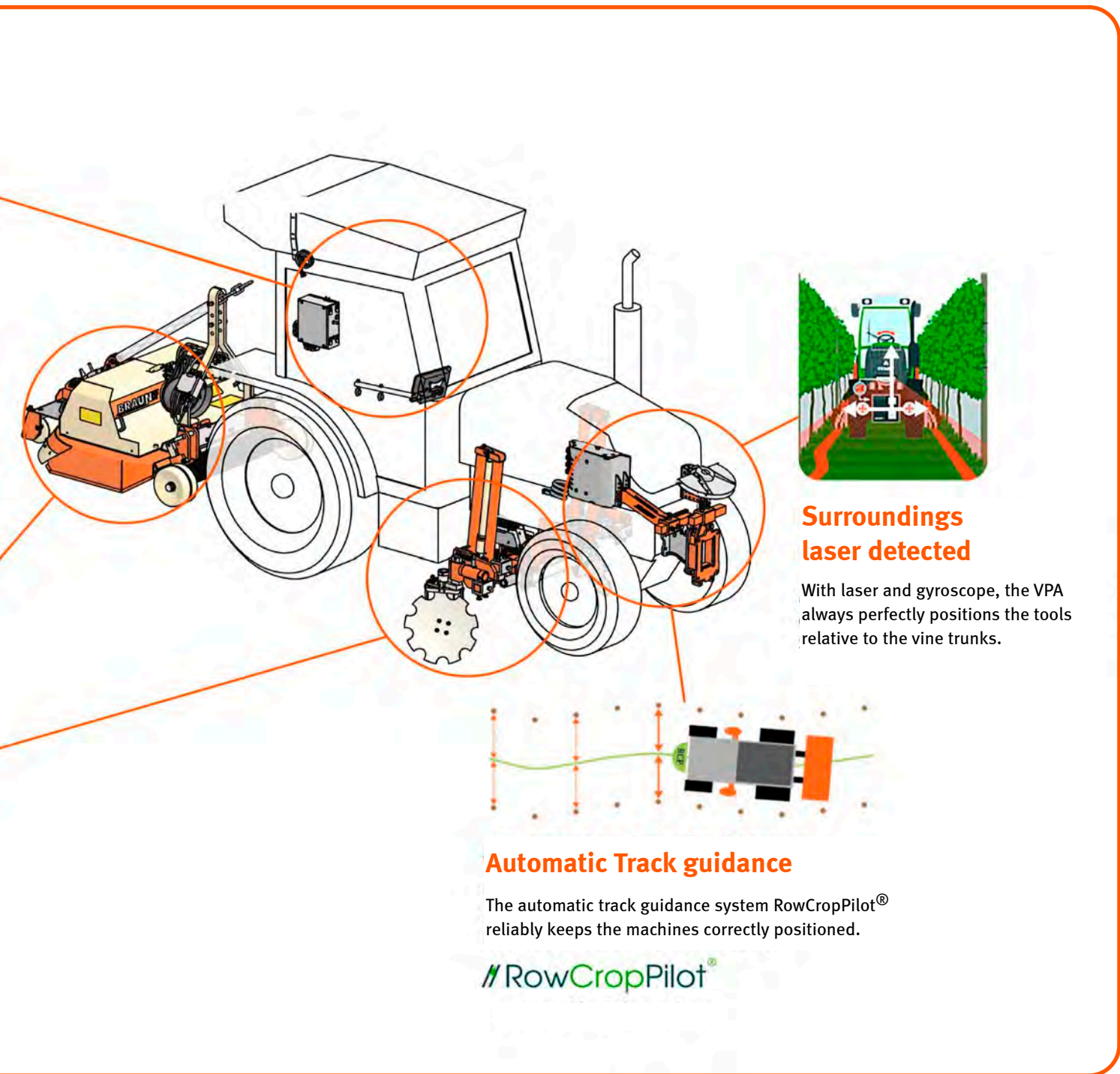
Automatic height and width adjustment in both the interaxle and rear areas simultaneously

Tractor speed can be doubled while achieving significantly improved work results.



BRAUN Vineyard Pilot Assistant

The first fully automatic vineyard cultivation tool in the world.



Surroundings laser detected

With laser and gyroscope, the VPA always perfectly positions the tools relative to the vine trunks.

Automatic Track guidance

The automatic track guidance system RowCropPilot® reliably keeps the machines correctly positioned.



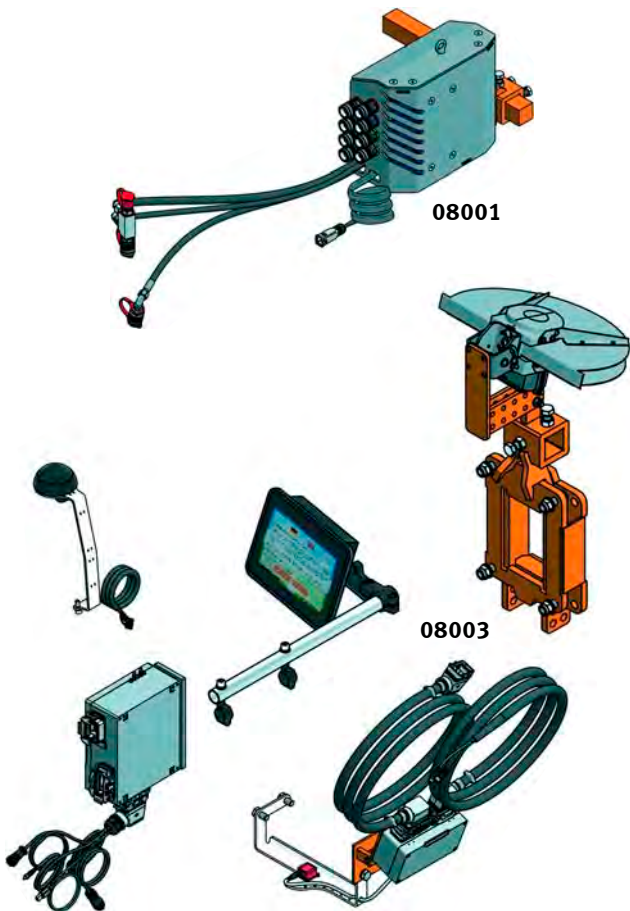


VPA VINEYARD PILOT ASSISTANT

- 1 Autonomous positioning of implements to the trunk
- 2 Partially autonomous driving in the vineyard rows
- 3 Greater area performance with improved work result

BRAUN VPA system

The first fully automatic vineyard cultivation tool in the world.

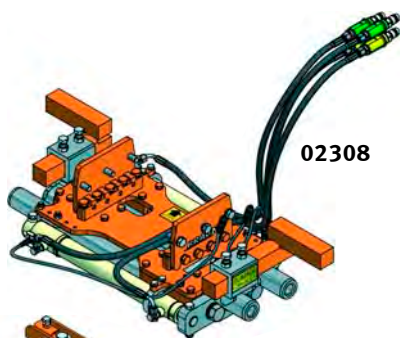


VPA system (08001)

VPA Autonomy Kit

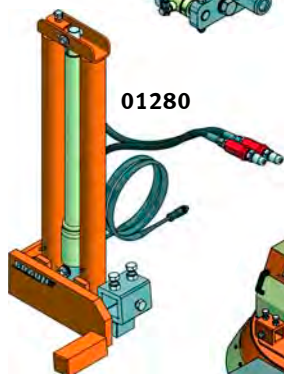
consisting of:

- Laser scanner for environment detection
- Position sensor
- Touchdisplay
- Central control unit
- Multifunction antenna



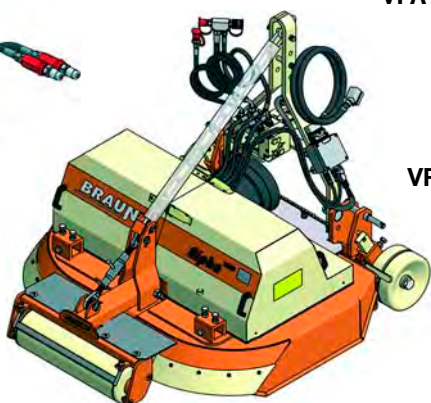
VPA Hydraulic width adjustment II

A total width adjustment of 800 mm range!



VPA Precise vertical hydraulic lift DW

0713188



VPA Mower Alpha 2000



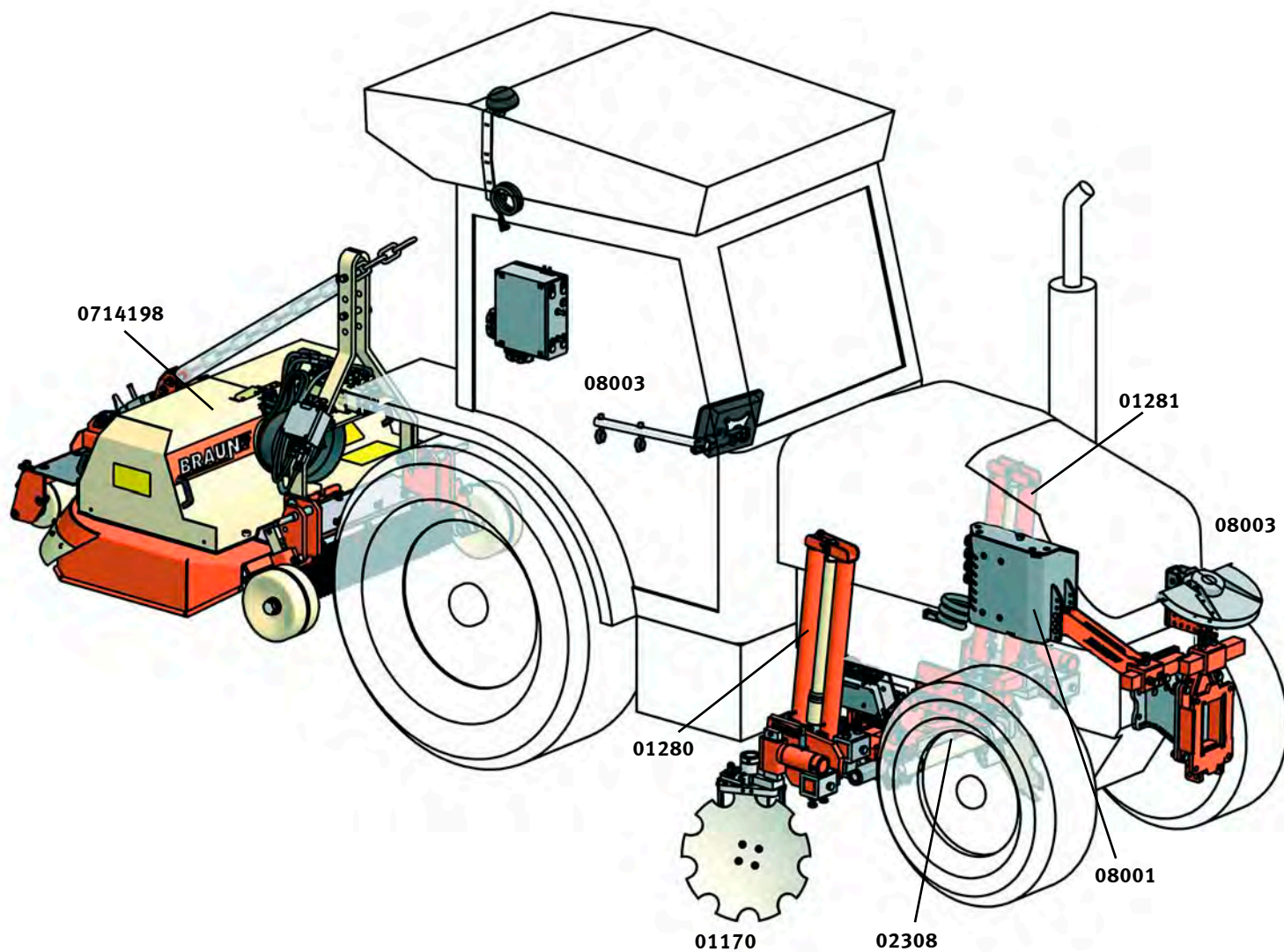
BRAUN VPA *Vineyard Pilot Assistant*

Ref.-No.	Article	Weight in kg
	REQUIRED	
08001	VPA <i>Vineyard Pilot Assistant</i>	80,0
08003	VPA <i>Autonomy Kit</i>	55,0
	OPTIONAL	
08002	Row Crop Pilote <i>RCP</i>	
03124	Support device for VPA with ERO plate	80,0
02308	VPA Hydraulic width adjustment II Basic plate 600 mm	130,0
02309	VPA Hydraulic width adjustment II Basic plate 700 mm	130,0
02310	VPA Hydraulic width adjustment II Basic plate 800 mm	130,0
02311	VPA Hydraulic width adjustment II Basic plate 900 mm	140,0
01280	VPA Precise vertical hydraulic lift DW right	63,5
01281	left	63,5
	ATTACHMENTS	
0713188	VPA Mower <i>Alpha 2000</i> Working width: 1.300 - 1.800 mm	585,0
0713198	VPA Mower <i>Alpha 2000</i> Working width: 1.400 - 1.900 mm	585,0



VPA VINEYARD PILOT ASSISTANT

- 1 Autonomous positioning of implements to the trunk
- 2 Partially autonomous driving in the vineyard rows
- 3 Greater area performance with improved work result





BRAUN VPA Combination and example of order

VPA system

Equipped for → **Autonomous positioning of implements to the trunk and partially autonomous driving in the vineyard rows**

Ref.-No.	Article	Quantity
08001	VPA <i>Vineyard Pilot Assistant</i>	1
08003	VPA <i>Autonomie Kit</i>	1
02308	VPA Width adjustment II, Basic plate 600 mm, a total width adjustment of 800 mm	1
01280	VPA Precise vertical hydraulic lift DW , right	1
01281	VPA Precise vertical hydraulic lift DW , left	1
01172	Universal support, without tool, continuously adjustable, right	1
01173	Universal support, without tool, continuously adjustable, left	1
01170	Swivel scalloped disc Ø 460 mm, hole pattern adjustment	2
0714198	VPA Mower <i>Alpha 2000</i> , Working width 1.400 - 1.900 mm	1
08002	Row Crop Pilot <i>RCP</i>	1
03124	Support device	1



Australian Distributor

**AUSTRALIAN AGRICULTURE & VITICULTURE
SUPPLIES**

ph: 08 8326 0848

email: salesteam@aavsupplies.com.au

address: 40A O'Sullivan Beach Rd, Lonsdale, SA 5160

Web: www.aavsupplies.com.au

