



**BRAUN** 

**BRAUN MACHINERY ENABLES YOU TO NURTURE THE BLESSINGS OF THE VINES**



**PURPOSE DESIGNED AND  
PRODUCED IN THE HEART  
OF VINEYARD COUNTRY**

**BRAUN Dished Ploughshare and Cultivator**  
*LUV Perfekt*



# LUV PERFECT. THE CULTIVATOR.

- 1 To maintain the area around the vine trunk free of weeds
- 2 To cultivate and loosen soil around the vine trunk and under the vines



## BRAUN Dished ploughshare and Cultivator LUV Perfekt

is the “perfekt” implement for fruit growing and viticulture

Our LUV Perfekt is designed to perform all required operations around the vine trunk in an efficient and environmentally friendly manner. With its modular construction, the basic LUV undervine cultivator can be supplemented with the addition of other BRAUN implements. This enables the vineyard owner to cultivate the vineyard in a manner that suits the specific conditions encountered. With the BRAUN system your vineyard will be free from weeds without the use of harmful chemicals.

### Advantages of the BRAUN system are:

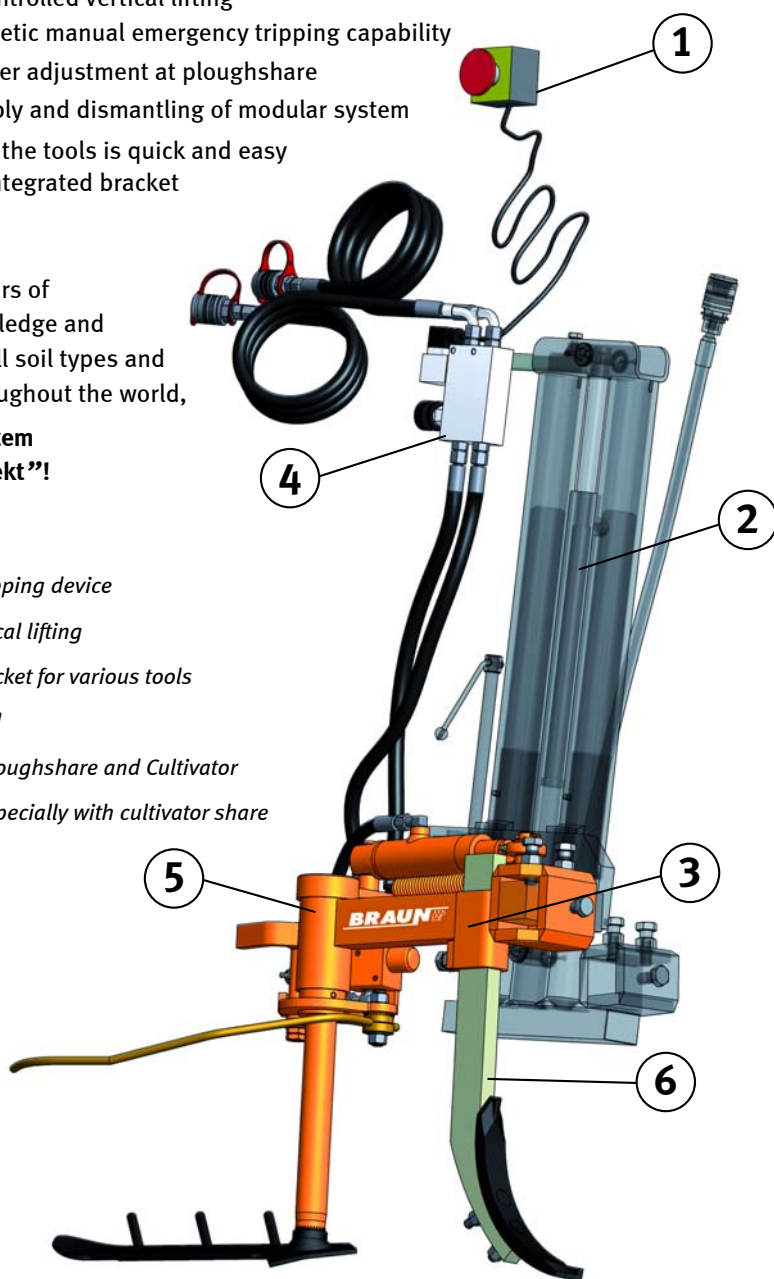
- Precision controlled vertical lifting
- Electromagnetic manual emergency tripping capability
- Sensing feeler adjustment at ploughshare
- Easy assembly and dismantling of modular system
- Changing of the tools is quick and easy due to the integrated bracket

and much more

With our 60 years of extensive knowledge and experience in all soil types and conditions throughout the world,

**the BRAUN system is simply “perfekt”!**

- 1 Emergency tripping device
- 2 Precision vertical lifting
- 3 Integrated bracket for various tools
- 4 Remote control
- 5 LUV-Dished-Ploughshare and Cultivator
- 6 Rigid shaft, especially with cultivator share



### Technical Data

#### Lane width

Front starting	at 1,2 m
Mid-axle·One-sided starting	at 1,3 m
Double-sided starting	at 1,5 m

#### Cam height

Front	500 mm
Mid-axle	500 mm
Can be adjusted higher if required	

#### Oil requirement

One-sided	12 l/min.
Double-sided	24 l/min.



## LUV Perfekt for front, mid-axle, and rear mounting Over-line Tractors

Examples of mounting and assembling equipment options



### FRONT

#### LUV Perfekt front-mounted with single vertical lift

LUV Perfekt left and right sides mounted on the single vertical lift equipped with couler discs for Summer work. The couler discs cut a precise edge along the grassed aisle.



### FRONT

#### LUV Perfekt front-mounted with double-sided precision vertical lifts

When front mounted with double-sided precision vertical lifts, each ploughshare functions independently. The couler discs can be adjusted independently to the correct depth on each lift, even on slopes. The reliable and proven precision vertical lift leans slightly towards the front enabling the couler discs to cut through the soil independently, even at shallow depths.



### MID-AXLE

#### LUV Perfekt mid-axle mounted with couler disc

Mid-axle mounted with hydraulic width adjustment provides for the most convenient cultivation.

The reasons:

- Optimal overview and control by tractor operator.
- Optimal plough control
- No extension of tractor length
- No increased turning circle
- No unnecessary wear and tear on steering mechanism and front wheels.



### REAR

#### Rear on other BRAUN equipment: LUV Perfekt rear-mounted with Vario ripper/cultivator

Double-sided rear mounting of LUV Perfekt on our Vario ripper/cultivator is possible with all ripper variations.



### Other equipment options

#### LUV Perfekt with under-vine flail mulcher

For heavy or out of control weed growth in vineyard areas, the mid-axle mounting of the LUV with the undervine flail mulcher/mower is the best option.

High growing weeds are efficiently destroyed. The single row of rubber flails brush off the weeds around the vines and suckers are removed from the vine trunks.

The support wheels combined with the float position of the precision vertical lift controls the cutting height. The speed of the hydraulic motor guarantees effective cutting of weeds.

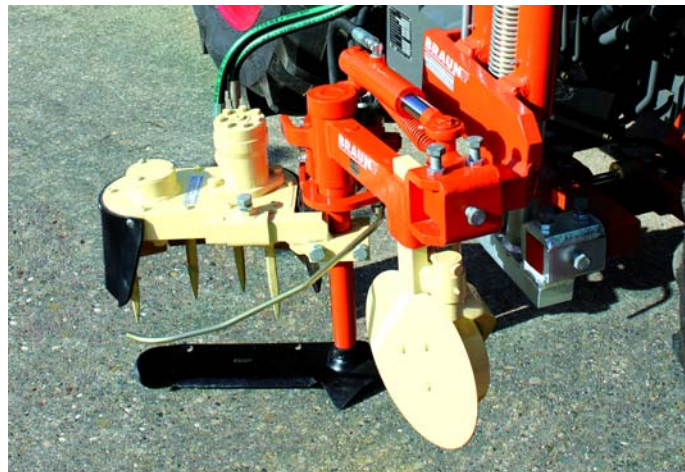


WITH THE BRAUN SYSTEM THE VINETRUNK AREA IS CLEARED WITHOUT THE USE OF CHEMICALS



**LUV Perfekt with clearing disc**

The clearing disc prevents soil from falling back onto the grassed aisle. With its quick angle adjustment it is very advantageous in vineyards with slopes. The soil is returned towards the upper slope so that the grassed aisle remains clear. Quick adjustment can be made easily from the driver's seat.



**LUV Perfekt with rotary crumbler/tiller**

The LUV Perfekt combines perfectly with the rotary crumbler as a solution for moist and weedy soils.



**LUV Perfekt with plough attachment**

Vineyards that have been mounded up for the Winter can be de-mounded in the Spring using the half heart share, followed by the de-mounding blade. The illustration shows the half heart share set up to partially de-mound a large mound while the following de-mounding blade breaks down the remainder of the mound. The half heart share reversed can be used for mounding up.



**UV under-vine cultivator**

UV under-vine cultivator with summer blade and following clearing blade is controlled by the precision vertical lift. The UV implement can also be mounted on the BRAUN Vario ripper/cultivator.

**Australian Distributor**  
**AUSTRALIAN AGRICULTURE & VITICULTURE SUPPLIES**  
p: 08 8326 0848  
e: [salesteam@aavsupplies.com.au](mailto:salesteam@aavsupplies.com.au)  
a: 40A O'Sullivan Beach Rd, Lonsdale, SA 5160  
[www.aavsupplies.com.au](http://www.aavsupplies.com.au)

