



Front - Mounted Frames

Individual solutions
for fruit growing and viticulture
all over the world.

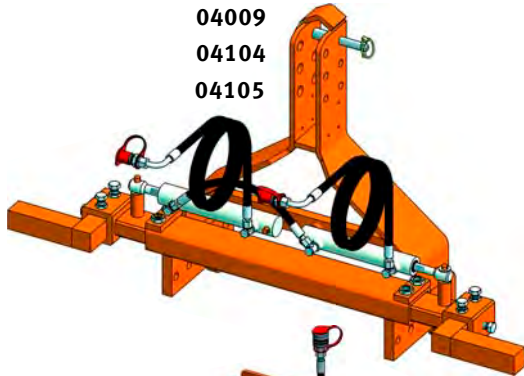
Made in Germany



FRONT MOUNTING FRAMES

1 To hold devices front mounted

04009
04104
04105



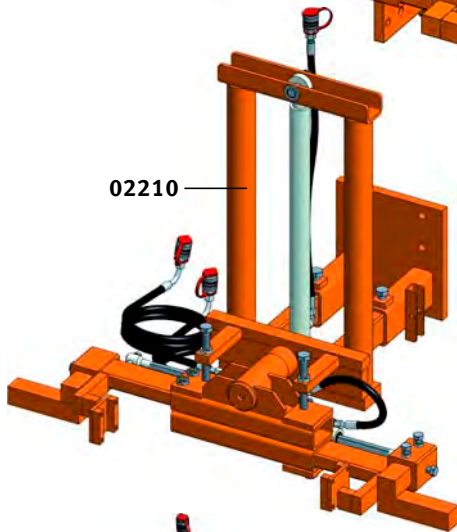
BRAUN Front mounting frames

Front mounting frame UKR

used with tractors with front linkage.

Front mounted universal frame UKR with hydraulic width adjustment.
Very advantageous tool carrier.

02210

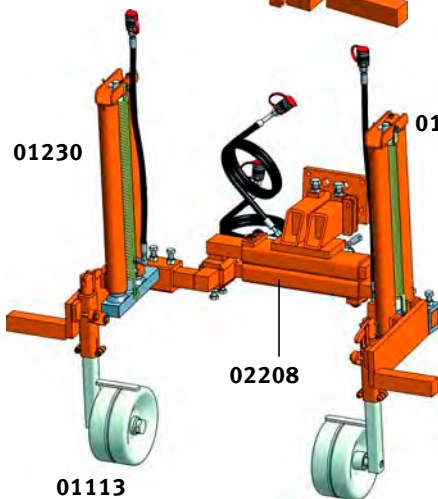


Front mounting with single hydraulic lift

recommended for flat vineyards without tapering ends.

01230

01231



02208

Front mounting with right and left precise vertical hydraulic lift

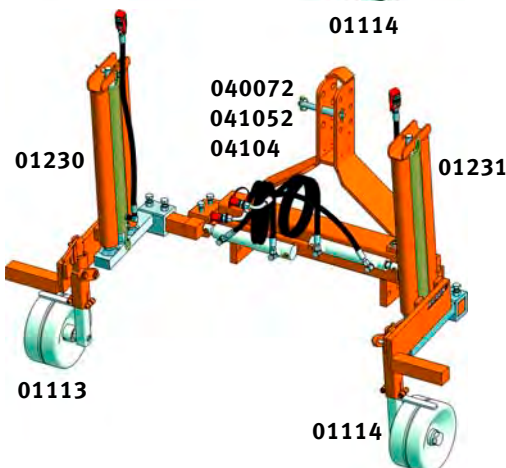
recommended for narrow vineyards with side slope

01113

01114

Three-point length and width extension for implement carrier UKR and cultivator Vario

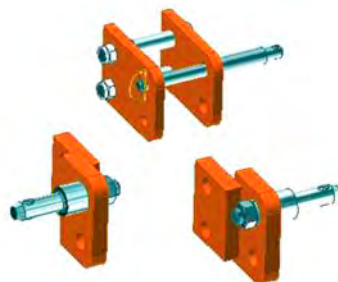
Push-/Pull-extension for implement carrier UKR and cultivator Vario



040072
041052
04104

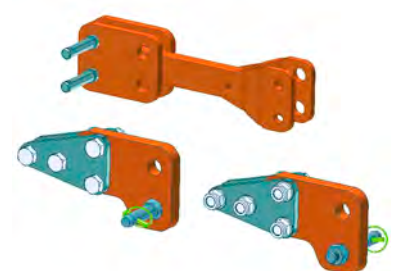
01113

01114



040003

Creates a greater distance to the front wheels of the tractor.



04413

Enables flexible conversion from a front to a rear implement carrier (not possible for Vario II).



BRAUN Front mounting frames

Ref. No.	Article	Weight in kg
04009 04104 04105	<p>Front mounting frame for front hydraulic Consists of: UKR-basic frame, single tube 900 mm Hydr. width adjustment (double sided) for UKR Pair of sliding parts of UKR, single tube Minimum width 1.400 to maximum width range 3.000 mm</p>	120,0
02208	<p>Frontanbau für Traktoren mit Anbauplatte bestehend aus: Hydraulically width adjustment for front mounting both-sided 50 mm square with hydr. hoses and connectors Minimum width 1.500 to maximum width range 3.500 mm</p>	180,0
01230	Precise vertical hydraulic lift EW, right	220,0
01231	Precise vertical hydraulic lift EW, left	220,0
01113	Screw adjustable support wheel, right	16,0
01114	Screw adjustable support wheel, left	16,0
	for row widths between 1.400 and 3.000 mm	220,0
02210	<p>Front mounting with single-hydraulic lift 500 mm hydr. width adjustment Square 50 mm with 2 supporting wheels, adjustable spindle Minimum width 1.400 to maximum width range 2.500 mm</p>	200,0
02208	<p>Hydraulically width adjustment for front mounting both-sided 50 mm square with hydr. hoses and connectors Minimum width 1.500 to maximum width range 3.500 mm</p>	180,0
040003	Three-point length and width extension for implement carrier (only UKR and <i>Vario</i>)	17,2
04413	Push-/Pull-extension for implement carrier (only UKR and <i>Vario</i>)	26,5
02213 02214	<p>Mounting brackets for articulated tractors one sided front square 50 mm right left</p>	22,0 22,0



Australian Distributor

**AUSTRALIAN AGRICULTURE & VITICULTURE
SUPPLIES**

ph: 08 8326 0848

email: salesteam@aavsupplies.com.au

address: 40A O'Sullivan Beach Rd, Lonsdale, SA 5160

Web: www.aavsupplies.com.au

