



# Hydraulic Lifts

Individual solutions  
for fruit growing and viticulture  
all over the world.

*Made in Germany*

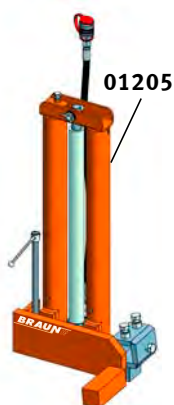


# HYDRAULIC LIFTS

- 1 To maintain the area around the vine trunk free of weeds
- 2 To cultivate and loosen soil around the vine trunk and under the vines

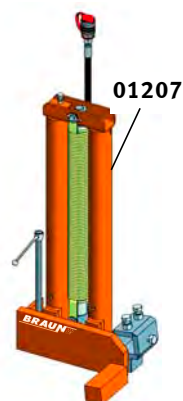
EW = single-acting  
DW = double-acting

## BRAUN Hydraulic lifts



**Precise vertical hydraulic lift EW – single-acting displacement cylinder**  
made of two round polished steel of high strength two thick-walled steel tubes with integrated bearings and dirt protection.

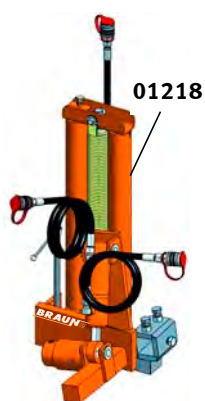
Genuine engineering work. Robust and suitable for all sizes of tractors.



**Precise vertical hydraulic lift DW – double-acting**

features the same design as above but with double-acting lift cylinders.

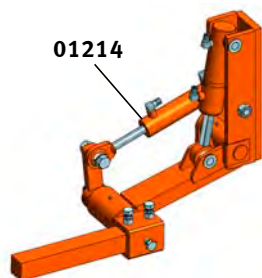
In addition to the LUV this item is used for lifting the vine trunk cleaner, mulchers and pulling out vineyard posts.



**Precise vertical hydraulic lift with return spring**

favourable, if used to lift ploughshares or coulter discs while breaking ground.

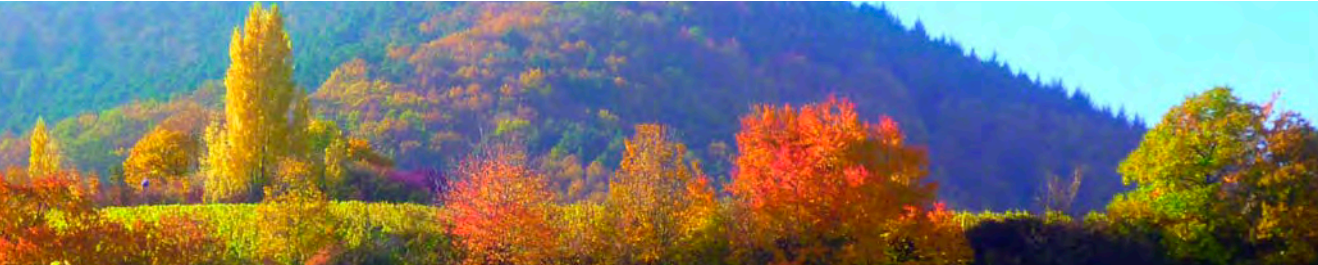
**Precise vertical hydraulic lift EW – single-acting displacement cylinder**  
with hydraulic side slope adjustment.



**Universal hydraulic lift PA**

applicable in vineyards with side slopes and in orchards.

Can be mechanically or hydraulically adjusted to side slopes.



## Hydraulic lifts

Ref. No.	Article	Weight in kg
01205	<b>Precise vertical lift EW (single-acting)</b> with EW single-acting cylinder lift 500 mm adjusting spindle, hydr. hose and connectors <b>right</b>	63,5
01206	<b>left</b>	63,5
01207	<b>Precise vertical hydraulic lift EW (single-acting)</b> with spring <b>right</b>	63,5
01208	<b>left</b>	63,5
01209	<b>Precise vertical hydraulic lift DW (double-acting)</b> with DW double-acting cylinder lift 500 mm hydr. hoses and connectors <b>right</b>	63,5
01210	<b>left</b>	63,5
01216	<b>Precise vertical hydraulic lift EW (single-acting)</b> with hydraulic side slope adjustment <b>right</b>	83,5
01217	<b>left</b>	83,5
01218	<b>Precise vertical hydraulic lift EW (single-acting)</b> with hydraulic side slope adjustment & spring <b>right</b>	83,5
01219	<b>left</b>	83,5
01220	<b>Precise vertical hydraulic lift DW (double-acting)</b> with hydraulic side slope adjustment <b>right</b>	83,5
01221	<b>left</b>	83,5
01212	<b>Universal hydraulic lift PA</b> mechanical side slope adjustment hydr. hoses and connectors <b>right</b>	47,0
01213	<b>left</b>	47,0
01214	<b>Universal hydraulic lift PA</b> hydraulic side slope adjustment hydr. hoses and connectors <b>right</b>	50,0
01215	<b>left</b>	50,0



# HYDRAULIC LIFTS

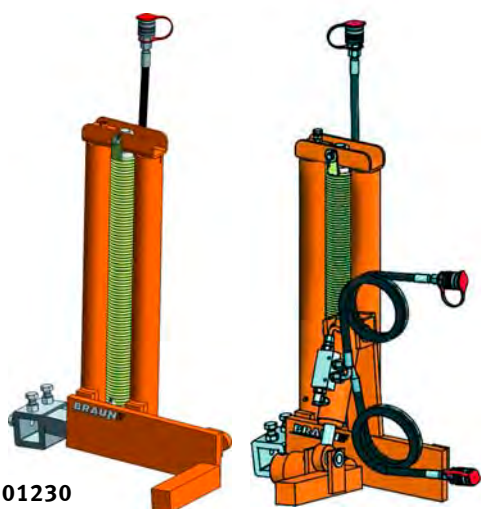
- 1 To maintain the area around the vine trunk free of weeds
- 2 To cultivate and loosen soil around the vine trunk and under the vines

## BRAUN Hydraulic lifts



01225

**Precise vertical hydraulic lift EW**  
with short plate and return spring

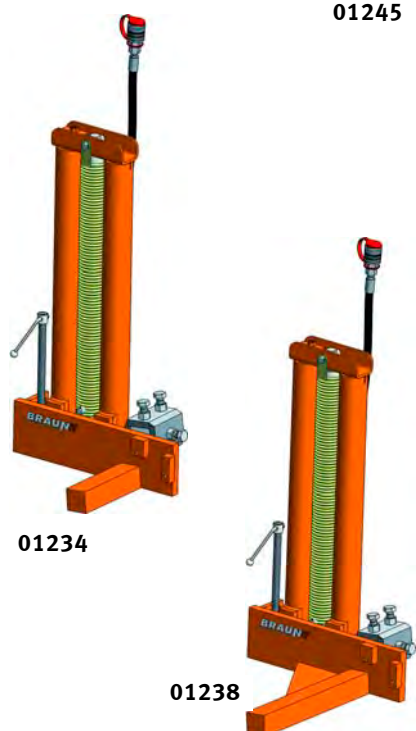


01230

01245

**Precise vertical hydraulic lift EW - front mounted**  
with return spring

**Precise vertical hydraulic lift EW – front mounted**  
with hydraulic side slope adjustment

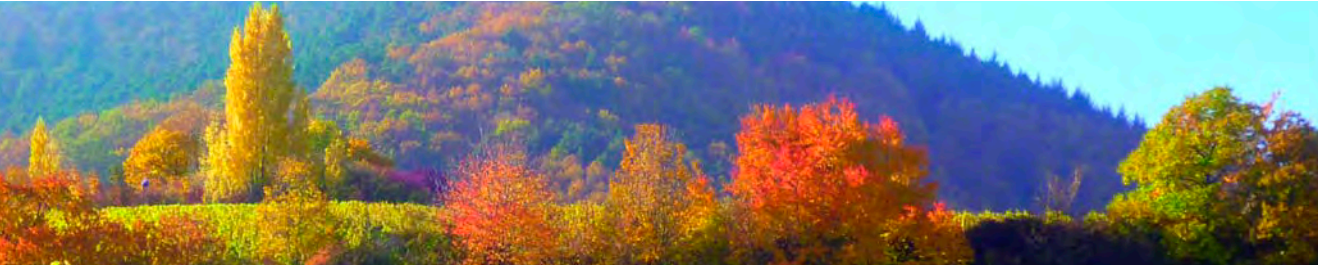


01234

01238

**Precise vertical hydraulic lift EW**  
with extended plate and bracket for depth wheel

**Precise vertical hydraulic lift EW**  
with extended plate, extended shaft and bracket for depth wheel



## Hydraulic lifts

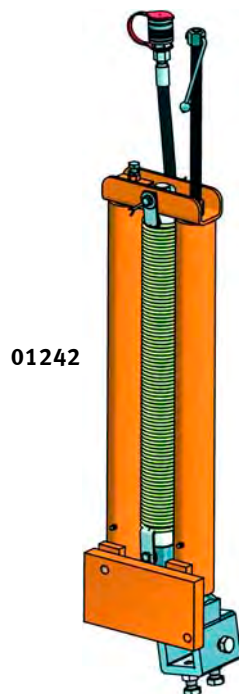
Ref. No.	Article	Weight in kg
01225 01226	<b>Precise vertical hydraulic lift EW</b> with EW single-acting cylinder lift 500 mm adjusting spindle, hydr. hose and connectors, with return spring with short plate, <b>right</b>	63,5
	with short plate, <b>left</b>	63,5
01227 01228	<b>Precise vertical hydraulic lift DW</b> with DW double-acting cylinder lift 500 mm with short plate, <b>right</b>	63,5
	with short plate, <b>left</b>	63,5
01230 01231	<b>Precise vertical hydraulic lift EW - front mounted</b> with return spring <b>right</b>	63,5
	<b>left</b>	63,5
01245 01246	<b>Precise vertical hydraulic lift EW - front mounted</b> with return spring <b>right</b>	80,0
	<b>left</b>	80,0
01232 01233	<b>Precise vertical hydraulic lift DW - front mounted</b> <b>right</b>	63,5
	<b>left</b>	63,5
01234 01235	<b>Precise vertical hydraulic lift EW</b> with return spring, extended plate and bracket for depth wheel <b>right</b>	63,5
	<b>left</b>	63,5
01236 01237	<b>Precise vertical hydraulic lift DW</b> with extended plate and bracket for depth wheel <b>right</b>	63,5
	<b>left</b>	63,5
01238 01239	<b>Precise vertical hydraulic lift EW</b> with return spring, extended plate, extended shaft, gusset plate and bracket for depth wheel <b>right</b>	63,5
	<b>left</b>	63,5
01240 01241	<b>Precise vertical hydraulic lift DW</b> with extended plate, extended shaft, gusset plate and bracket for depth wheel <b>right</b>	63,5
	<b>left</b>	63,5



# HYDRAULIC LIFTS

- 1 To maintain the area around the vine trunk free of weeds
- 2 To cultivate and loosen soil around the vine trunk and under the vines

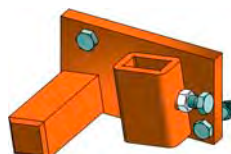
## BRAUN Hydraulic lifts



01242

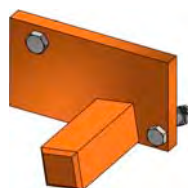
### Precise vertical hydraulic lift EW

- Suitable when there is little space in the inter-axle area
- Interchangeable plates with various mounting options
- Shear bolt to protect the vertical lifting in case of a collision



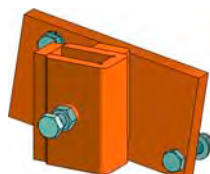
00124204

**Square steel mounting plate with implement clamp and square tool bar (50x25) for precise vertical lift EW, compact version**



00124205

**Square steel mounting plate with square tool bar for precise vertical lift EW, compact version**



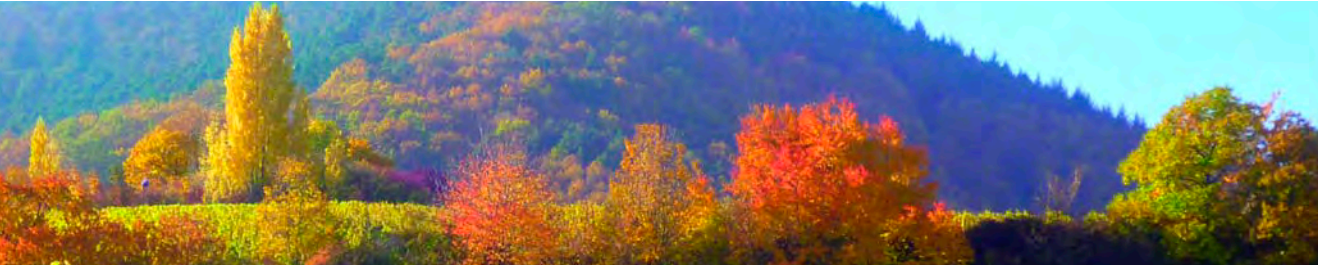
00124207

**Square steel mounting plate with implement clamp (60x25) for precise vertical lift EW, compact version**



00124210

**Square steel mounting plate with implement clamp (50 x 50)**



## Hydraulic lifts

Ref. No.	Article	Weight in kg
	<b>Precise vertical hydraulic lift EW</b>	
01242	right	63,5
01243	left	63,5
	<b>Square steel mounting plate and implement clamp and square tool bar (50x25) for precise vertical hydraulic lift EW, compact version</b>	
00124204	right	8,5
00124304	left	8,5
	<b>Square steel mounting plate with square tool bar (50x50) for precise vertical hydraulic lift, compact version</b>	
00124205	right	6,9
00124305	left	6,9
	<b>Square steel mounting plate with implement clamp (60x25) for precise vertical hydraulic lift, compact version</b>	
00124207	right	8,2
00124307	left	8,2
	<b>Square steel mounting plate with implement clamp (50x50)</b>	
00124210	right	7,6
00124310	left	7,6



**Australian Distributor**

**AUSTRALIAN AGRICULTURE & VITICULTURE  
SUPPLIES**

**ph:** 08 8326 0848

**email:** [salesteam@aavsupplies.com.au](mailto:salesteam@aavsupplies.com.au)

**address:** 40A O'Sullivan Beach Rd, Lonsdale, SA 5160

**Web:** [www.aavsupplies.com.au](http://www.aavsupplies.com.au)

