



# Implement Carrier Frame UKR

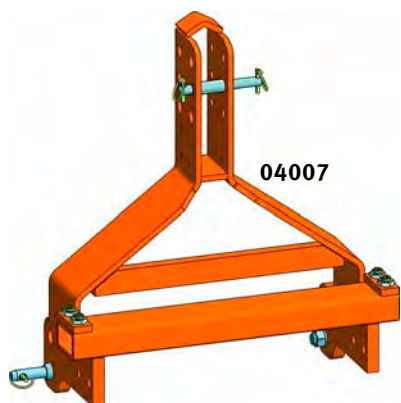
Individual solutions  
for fruit growing and viticulture  
all over the world.

*Made in Germany*



# IMPLEMENT CARRIER FRAME UKR

1 To hold devices front and rear mounted



04007

## Mounting versions for front and rear hydraulic

### UKR-basic frame, single tube

Length of tube 700 mm (04007)

Length of tube 800 mm

Length of tube 900 mm

Length of tube 1.000 mm

Length of tube 1.100 mm

Length of tube 1.300 mm



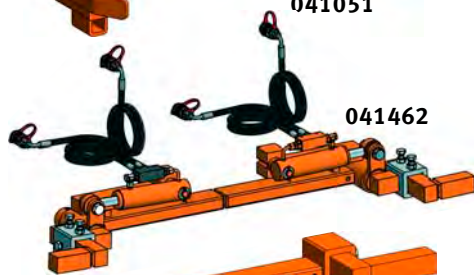
04105

### Pair of sliding parts for UKR single tube



041051

### Pair of sliding parts for UKR single tube with side deflectors



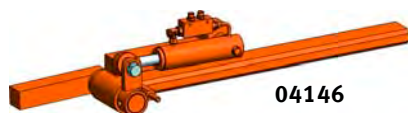
041462

### Pair of sliding parts for UKR single tube, with hydraulic side slope adjustment



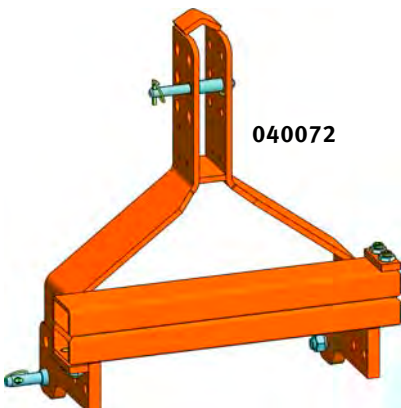
041053

### Sliding part single sided



04146

### Sliding part single sided with hydraulic side slope adjustment



040072

### UKR-basic frame, double tube

Length of tube 700 mm (040072)

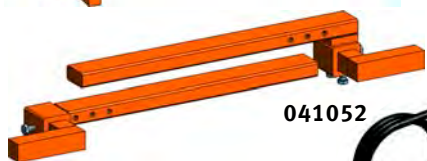
Length of tube 800 mm

Length of tube 900 mm

Length of tube 1.000 mm

Length of tube 1.100 mm

Length of tube 1.300 mm



041052

### Pair of sliding parts for UKR double tube



### Hydraulic width adjustment



## BRAUN Implement carrier frame UKR

Ref. No.	Article	Weight in kg
	<b>UKR-basic frame, single tube</b>	
04007	Length of tube 700 mm (Extending distance 300 mm) <b>800</b>	65,0
04008	Length of tube mm (Extending distance 400 mm) <b>900 mm</b>	65,0
04009	Length of tube (Extending distance 500 mm)	65,0
04010	Length of tube 1.000 mm (Extending distance 600 mm) <b>Length</b>	65,0
04011	of tube 1.100 mm (Extending distance 600 mm) <b>Length of tube</b>	65,0
04013	1.300 mm (Extending distance 600 mm)	65,0
04105	<b>Pair of sliding parts for UKR, single tube</b>	35,0
041051	<b>Pair of sliding parts for UKR, single tube with side deflectors</b>	35,0
041462	<b>Pair of sliding parts for UKR single tube, with hydraulic side slope adjustment Sliding</b>	67,0
041053	parts single sided, right/left	25,0
04146	<b>Sliding parts single sided with hydraulic slide slope, right</b>	31,0
041461	<b>Sliding parts single sided with hydraulic slide slope, left</b>	31,0
	<b>UKR-basic frame, double tube</b>	
040072	Length of tube 700 mm (Extending distance 600 mm) <b>800</b>	60,0
040082	Length of tube mm (Extending distance 1.000 mm) <b>900 mm</b>	70,0
040092	Length of tube (Extending distance 1.000 mm)	80,0
040102	Length of tube 1.000 mm (Extending distance 1.000 mm) <b>Length</b>	95,0
040112	of tube 1.100 mm (Extending distance 1.000 mm) <b>Length of tube</b>	105,0
040132	1.300 mm (Extending distance 1.000 mm)	120,0
041052	<b>Pair of sliding parts for UKR double tube</b>	60,0
04104	<b>Hydraulic width adjustment (double sided) for UKR single tube Hydraulic width</b>	20,0
041044	<b>adjustment (double sided) for UKR double tube Hydraulic width adjustment</b>	20,0
04153	<b>(single sided) for UKR with 04146/041461</b>	10,0



**Australian Distributor**

**AUSTRALIAN AGRICULTURE & VITICULTURE  
SUPPLIES**

**ph:** 08 8326 0848

**email:** [salesteam@aavsupplies.com.au](mailto:salesteam@aavsupplies.com.au)

**address:** 40A O'Sullivan Beach Rd, Lonsdale, SA 5160

**Web:** [www.aavsupplies.com.au](http://www.aavsupplies.com.au)

