



Mid - Mounted Frames

Individual solutions
for fruit growing and viticulture
all over the world.

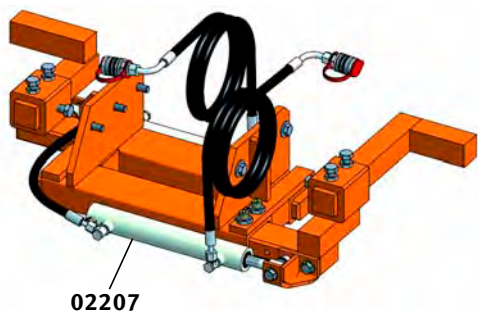
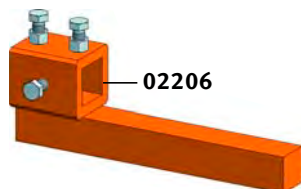
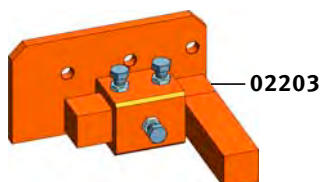
Made in Germany



MID-MOUNTING FRAME

1 To hold devices mid mounted

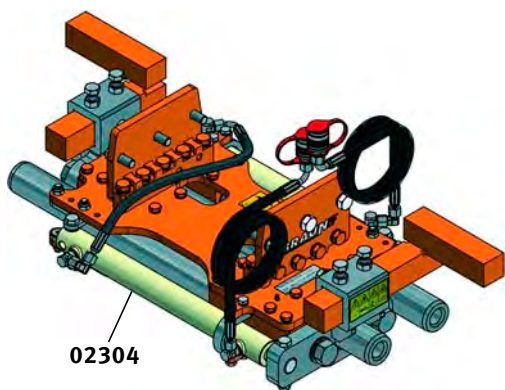
BRAUN Mid-mounting frame (width adjustable)



Mid-mounting frame with hydraulic width adjustment

The best set up for the undervine cultivator/weeder LUV. Allows for quick and efficient turning of tight headland and steep slopes, which cannot be performed with front mounted machines.

The LUV equipment can be operated perfectly stable.



Hydraulic width adjustment II

- **NEW: a total width adjustment of 800 mm range!**
- Precisely fitting guidance through round tubes
- Easy maintenance thanks to bushings and grease nipples
- VPA system can be retrofitted

Currently only for Fendt Vario tractors available



BRAUN Mounting brackets

Ref. No.	Article	Weight in kg
02203	Mounting bracket for conventional tractor units with mounting plates - 50 mm square right	18,0
02204		18,0
022031	Mounting bracket for conventional tractor units without mounting plates - 50 mm square right	40,0
022041		40,0
02206	Attachable extension Square 50 mm, right/left	11,3
022070	Kit for mid-mounted units with hydraulic width adjustment for exotic types of tractors	62,0
02207	Hydraulic width adjustment, double-sided mid-mounting frame for tractors with equipment mounting plates for mid-mounting both-sided 50 mm square with hydr. hoses and connectors Minimum width 1.500 to maximum width range 3.500 mm	140,0
022071	Hydraulic width adjustment, double-sided mid-mounting frame for tractors without equipment mounting plates for mid-mounting both-sided 50 mm square with hydr. hoses and connectors Minimum width 1.500 to maximum width range 3.500 mm	145,0
02301	Hydraulic width adjustment II Basic plate 500 mm	120,0
02302	Hydraulic width adjustment II Basic plate 600 mm	130,0
02303	Hydraulic width adjustment II Basic plate 700 mm	130,0
02304	Hydraulic width adjustment II Basic plate 800 mm	130,0
02305	Hydraulic width adjustment II Basic plate 900 mm	140,0
02306	Hydraulic width adjustment II Basic plate 1.000 mm Currently only for Fendt Vario tractors available A total width adjustment of 800 mm range!	156,0



Australian Distributor

**AUSTRALIAN AGRICULTURE & VITICULTURE
SUPPLIES**

ph: 08 8326 0848

email: salesteam@aavsupplies.com.au

address: 40A O'Sullivan Beach Rd, Lonsdale, SA 5160

Web: www.aavsupplies.com.au

