



Universal Cultivator Frame Vario

Individual solutions
for fruit growing and viticulture
all over the world.

Made in Germany



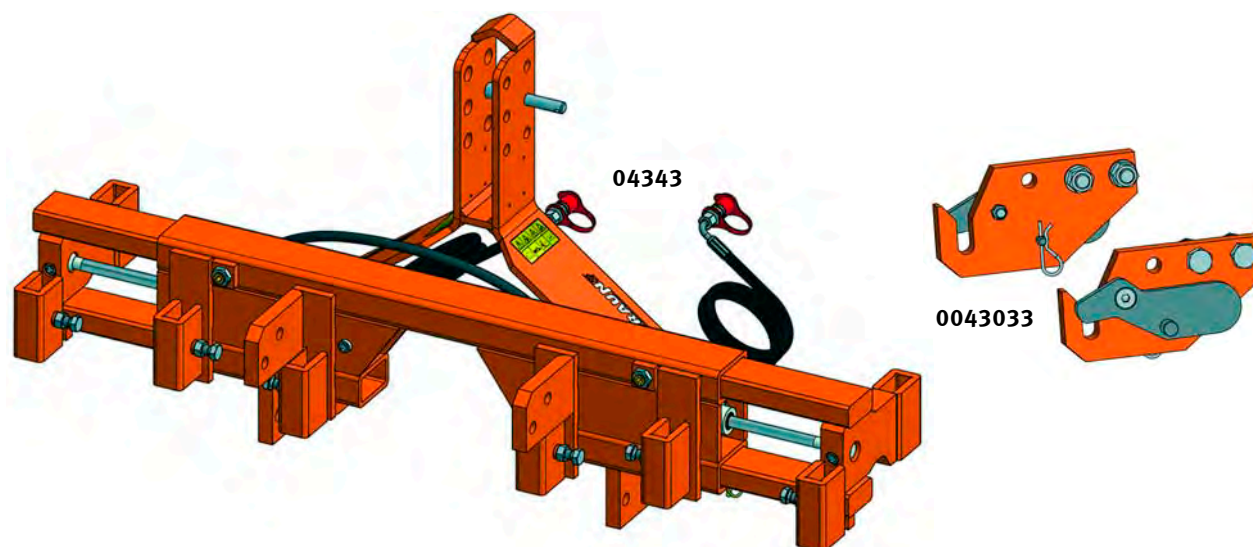
CULTIVATOR VARIO. BASIC DEVICE.

- 1 For all soil work
- 2 To loosen hard soil structure
- 3 For aeration and the regeneration of moss-grown soils and grassed aisles

BRAUN Cultivator Vario

The universal implement for all soil maintenance work in fruit cultivation and viticulture

The **universal** implement for all soil maintenance work in fruit cultivation and viticulture. With its **modular construction**, you can supplement the Cultivator with other BRAUN components to specifically tackle the variety of work you need to do. The Cultivator Vario is an implement that will enable you to cultivate and nurture your vineyard in a variety of ways **without chemicals**.



Distinctive BRAUN advantages are:

- An implement for **all** types of soil work
- **Prolonged implement** service/life (rotary cutter, rotary harrow, etc.) thanks to the prior loosening of the hard soil structure with the basic Vario unit
- **Additional applications:**
Short cultivator with depth control through roller/crumblers or tillage rollers.
Multiple additional applications through attachable frames, so that the basic unit becomes:
 - an implement carrier for Vine Trunk Cleaner, LUV Perfekt, disc plough, and more
 - a disc set
 - a spring tine cultivator
 - a ripper cultivator
 - a para-plough

Our Vario frame enables multi tasking.

Best.-Nr.	Artikel	Weight in kg
	Appliance mounting plate for cultivator frame For the mounting of circular harrows or rotary tillers, or else for the mounting of rollers on short cultivators.	
0043033	Mounting plate for KAT I standard, right	61,0
00430331	Mounting plate for KAT I standard, left	61,0
0043053	Mounting plate for KAT II standard, right	61,0
00430531	Mounting plate for KAT II standard, left	61,0



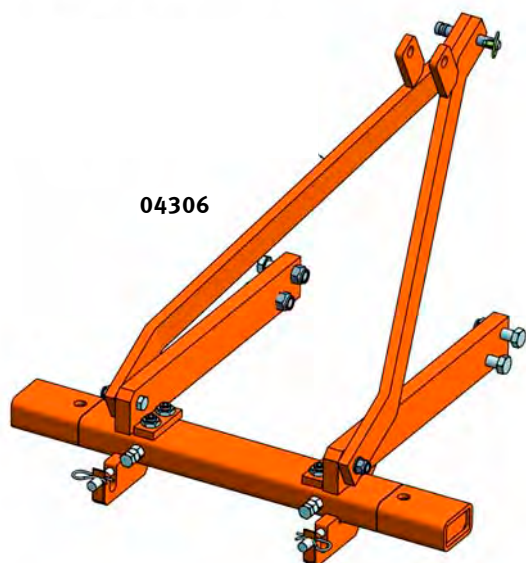
BRAUN Cultivator *Vario* and accessories

Ref. No.	Article	Weight in kg
04300	Cultivator frame M Z 4 BV mechanically adjustable, without implements Working width 800 - 1.200 mm	155,0
04302	Working width 900 - 1.300 mm	155,0
04340	Working width 1.000 - 1.400 mm	160,0
04342	Working width 1.100 - 1.600 mm	170,0
04301	Cultivator frame H Z 4 BV hydraulically adjustable, without implements Working width 800 - 1.200 mm	175,0
04303	Working width 900 - 1.300 mm	175,0
04341	Working width 1.000 - 1.400 mm	180,0
04343	Working width 1.100 - 1.600 mm	200,0
04304	Cultivator frame M Z 6 BV mechanically adjustable, without implements Working width 1.250 - 1.750 mm	190,0
04305	Cultivator frame H Z 6 BV hydraulically adjustable, without implements Working width 1.250 - 1.750 mm	210,0
04382	Cultivator frame M Z 8 BV mechanically adjustable, without implements Working width 1.500 - 2.000 mm	220,0
04383	Cultivator frame H Z 8 BV hydraulically adjustable, without implements Working width 1.500 - 2.000 mm	240,0
04344	Cultivator frame M Z 8 BV mechanically adjustable, without implements Working width 1.700 - 2.200 mm	230,0
04345	Cultivator frame H Z 8 BV hydraulically adjustable, without implements Working width 1.700 - 2.200 mm	250,0
04370	Cultivator frame M Z 10 BV mechanically adjustable, without implements Working width 2.200 - 2.700 mm	280,0
04371	Cultivator frame H Z 10 BV hydraulically adjustable, without implements Working width 2.200 - 2.700 mm	300,0
04372	Cultivator frame M Z 10 BV mechanically adjustable, without implements Working width 2.700 - 3.300 mm	310,0
04373	Cultivator frame H Z 10 BV hydraulically adjustable, without implements Working width 2.700 - 3.300 mm	330,0
04104108	Hydraulic width adjustment Upgrade kit for cultivator frame with hydraulic hoses, connectors and cylinders Working width 800 - 1.200 mm	20,0
04104109	Working width 900 - 1.300 mm	
04104110	Working width 1.000 - 1.400 mm	
04104111	Working width 1.100 - 1.600 mm	
04104112	Working width 1.250 - 1.750 mm	
04104115	Working width 1.500 - 2.000 mm	
04104117	Working width 1.700 - 2.200 mm	
04104122	Working width 2.200 - 2.700 mm	
04104127	Working width 2.700 - 3.300 mm	



CULTIVATOR VARIO. BASIC DEVICE.

- 1 For all soil work
- 2 To loosen hard soil structure
- 3 For aeration and the regeneration of moss-grown soils and grassed aisles



04306

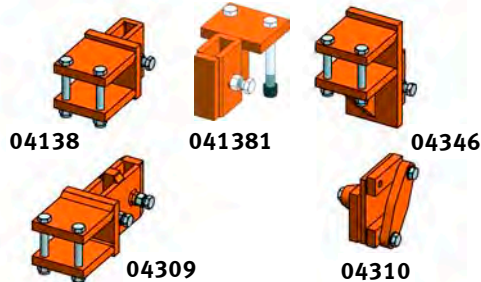
BRAUN Cultivator Vario

The universal implement for all soil maintenance work in fruit cultivation and viticulture

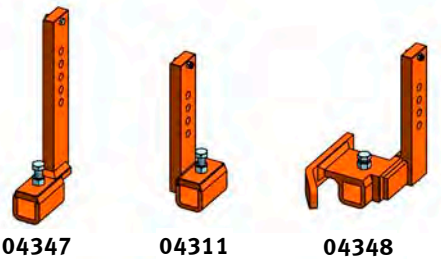
The **modular system** allows multiple use of the cultivator Vario BV.

It can be easily changed into a subsoiler, blade cultivator, para-plough, cultivator, attachment support.

The mounting frame can be easily attached to the cultivator with 4 bolts and a top link pin.



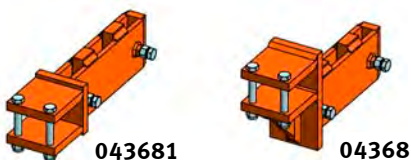
Numerous bolt on brackets and clamps for various cultivator adaptations are available.



04160 and 041601 permits **mounting additional tools** on the cultivator instead of a cultivator frame.



These two brackets 043681 and 04368 permit a cutting disc to be fixed in the front bracket while the leg or tine is fitted to the rear bracket. The cutting disc cuts the grass and the ripper leg runs along the same cut groove, without damaging the surface turf.



The turf can be aerated without damage.



BRAUN Cultivator *Vario* and accessories

Ref. No.	Article	Weight in kg
	Three point extension mounting frame with cross beam for <i>Vario</i> Cultivator The mechanically adjustable telescoping extension allows for expansion of the working width	
04306	Working width 600 mm	61,0
04307	Working width 700 mm	61,0
04308	Working width 800 mm	65,0
041042	Hydraulic width adjustment Upgrade kit for mounting frame with hydr. hoses, connectors and cylinder 300 mm adjustment range each side	20,0
04138	Bracket for cultivator Heavy duty design for winged foot and chisel foot leg	9,0
041381	Cutting disc mounting bracket for 04138	6,0
04346	Bracket for cultivator - center beam Heavy duty design for winged foot and chisel foot leg	16,0
04309	Bracket with double clamps for cultivator and crumbler roller frame	11,9
04310	Bracket for mounting frame on longitudinal beam for various legs and fertilizer injection unit	7,3
04347	Support for cultivator tines middle of the cultivator in conjunction with no: 04138	5,3
04311	Bracket for cultivator tines/legs	4,6
	Bracket for cultivator tines/legs with fender	
04348	right	6,1
04349	left	6,1
	Bracket for cultivator tines/legs with fender only in conjunction with numbers : 04312 or 04313	
04350	right	5,4
04351	left	5,4
043682	Bracket for swivel cutting disc and chisel foot leg	12,0
04368	Central bracket for solid ripper leg and swivel cutting disc	12,0
043681	Bracket for solid ripper leg, cutting disc and swivel cutting disc	18,0
04160	Bolt-on bracket onto toolbar cultivator, right	9,0
041601	Bolt-on bracket onto toolbar cultivator, left	9,0
04384	Bracket in conjunction with 04310 for C- and S-shaped tines, right	6,5
043841	Bracket in conjunction with 04310 for C- and S-shaped tines, left	6,5
04386	Bracket for C- and S-shaped tines, right/left	4,0

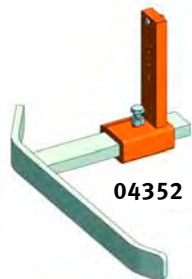


CULTIVATOR *VARIO*. BASIC DEVICE.

- 1 For all soil work
- 2 To loosen hard soil structure
- 3 For aeration and the regeneration of moss-grown soils and grassed aisles

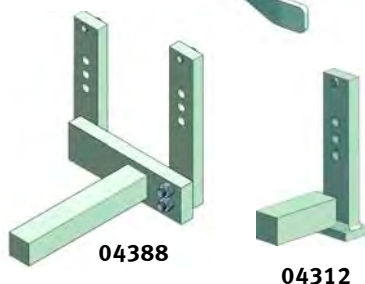
BRAUN Cultivator *Vario*

The universal implement for all soil maintenance work in fruit cultivation and viticulture



04352

Side deflector for thin ripper leg

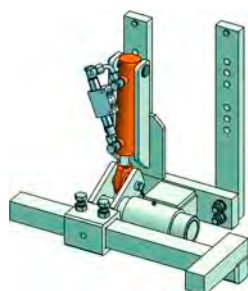


04388



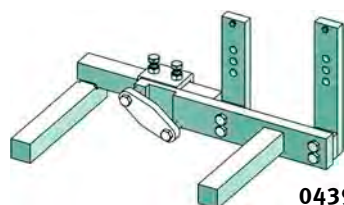
04312

Bracket for mounting LUV-devices or disc plough



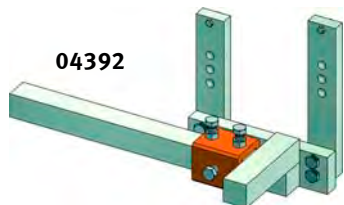
043892

Bracket for mounting LUV-devices or disc plough with hydraulic side slope adjustment



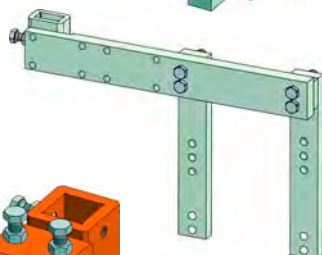
043921

Multifunctional bracket for mounting Rotary star tiller and Finger weeder clamp for depth wheel included



04392

Bracket for mounting disc ploughs or rotary star tillers in combination with fingerweeder



04411

Retrofit bracket for stone protection shield on *Vario* frame



04394

Bracket with four-cornered brackets shifted



BRAUN Cultivator *Vario* and accessories

Ref. No.	Article	Weight in kg
04352	Deflector for wing blade with stem right	5,8
04353	left	5,8
04312	Bracket for mounting the LUV devices or disc ploughs right Square 50 mm	7,5
04356	left Square 50 mm	7,5
04388	double-legged, right Square 50 mm	18,0
043881	double-legged, left Square 50 mm	18,0
043892	Bracket for mounting LUV-devices or disc plough with hydraulic side slope adjustment right	55,0
043893	left	55,0
043921	Multifunctional bracket for mounting e.g. Rotary star tiller and Finger weeder, clamp for depth wheel included right	32,0
043931	left	32,0
04392	Bracket for mounting disc ploughs or rotary star tillers, right	32,0
04393	Bracket for mounting disc ploughs or rotary star tillers, left	32,0
04411	Retrofit bracket for stone protection shield on <i>Vario</i> frame, right	19,9
04412	Retrofit bracket for stone protection shield on <i>Vario</i> frame, left	19,9
04394	Bracket with four-cornered brackets shifted	8,0



CULTIVATOR VARIO. BASIC DEVICE.

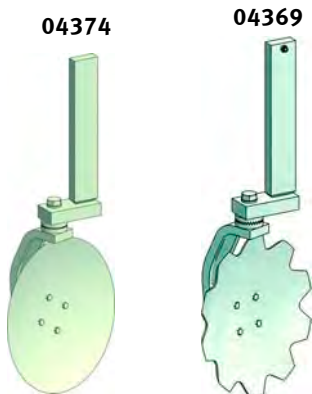
- 1 For all soil work
- 2 To loosen hard soil structure
- 3 For aeration and the regeneration of moss-grown soils and grassed aisles

BRAUN Cultivator Vario

The universal implement for all soil maintenance work in fruit cultivation and viticulture

Swivel scalloped disc

Basic swivel scalloped disc with crown plate adjustment



04374

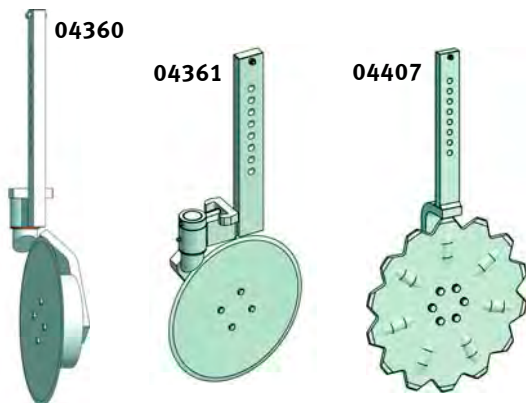
04369

Cutting disc

(with or without support wheel option) is used as a precutter in conjunction with the winged foot (04319) and thin ripper leg (04317), or only the leg to prevent damage to turf.

Serrated cutting disc, rigid

Only for small cultivator frames up to 1.000 - 1.400 mm

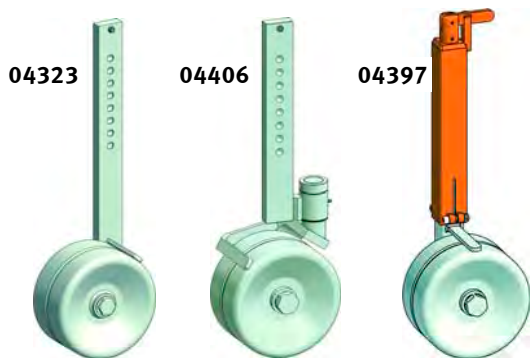


04360

04361

04407

Support wheel for cultivator/UKR

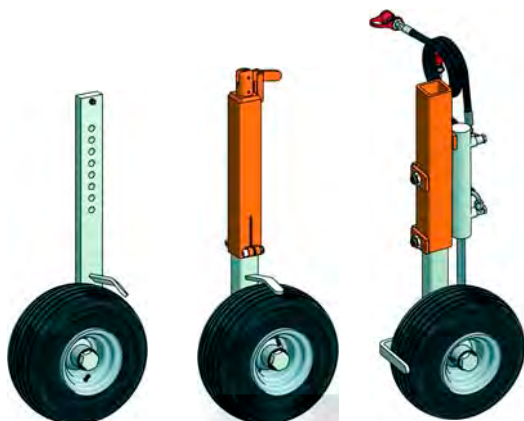


04323

04406

04397

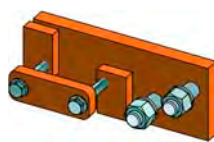
Support wheel pneumatic tired for cultivator/UKR



04338

04396

043381



Bolt on plate with clamping bracket for adjustable depth wheel

04399



BRAUN Cultivator *Vario* and accessories

Ref. No.	Article	Weight in kg
04352	Leg holder for supporting wheels	
	right	9,0
04353	left	9,0
04374	Disc plough 350 mm for cultivator with holder 60 x 25 mm	
	right	11,5
043741	left	11,5
04369	Basic swivel scalloped disc with crown plate adjustment for cultivator	
	right	11,5
043691	left	11,5
04314	Cutting Disc - straight (large 350 mm) with depth limiting ring	
	right	16,2
04360	left	16,2
04361	Swivelled Cutting Disc	
	right	15,5
04362	left	15,5
04407	Serrated cutting disc, rigid (only for small cultivator frames up to 1.000 - 1.400 mm)	16,5
04323	Support wheel for cultivator/UKR	
	right	18,0
04324	left	18,0
04405	Support wheel swivelling for cultivator/UKR	
	right	19,0
04406	left	19,0
04396	Support wheel spindle adjustable for cultivator/UKR	
	right	21,0
04397	left	21,0
04338	Support wheel pneumatic tired for cultivator/UKR	
	right	13,0
04339	left	13,0
04396	Support wheel spindle adjustable, pneumatic tired, for cultivator/UKR	
	right/left	13,0
043381	Support wheel pneumatic, hydraulically width adjustable	
	right	23,0
043391	left	23,0
04399	Bolt on plate with clamping bracket for adjustable depth wheel	
	right	4,0
043991	left	4,0



CULTIVATOR VARIO. BASIC DEVICE.

- 1 For all soil work
- 2 To loosen hard soil structure
- 3 For aeration and the regeneration of moss-grown soils and grassed aisles

BRAUN Cultivator Vario

The universal implement for all soil maintenance work in fruit cultivation and viticulture



Winged foot

The winged foot aerates leafy aisles or rather destroys wild herbs.



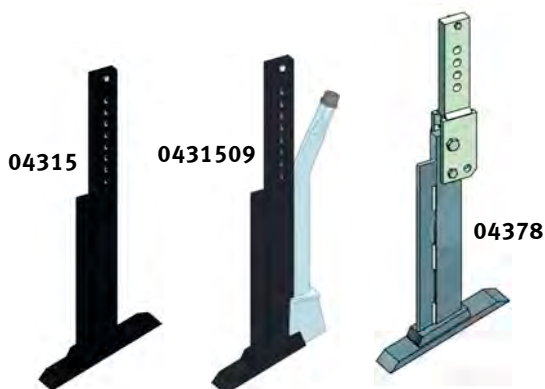
Thin ripper leg with winged foot for liquid fertilizer

Thin ripper leg with winged foot for granular fertilizer and direct seeding



Chisel foot for chisel foot leg (04318)

Chisel for thin ripper leg (04364)



Chisel foot

Chisel foot leg with chisel foot (04315)

Chisel foot leg for granular fertilizer (0431509)

Chisel foot leg with chisel foot and shear (04378)



BRAUN Cultivator *Vario* and accessories

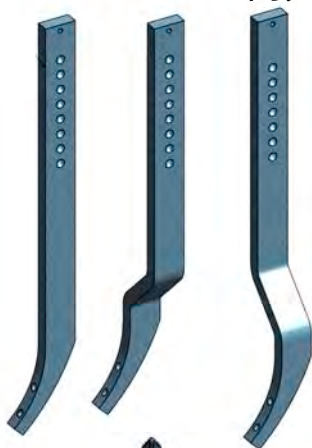
Ref. No.	Article	Weight in kg
04317	Thin ripper leg WITHOUT winged foot, with shearbolt right/left	10,7
04319	Thin ripper leg with winged foot, with shearbolt right/left	13,7
04317	Thin ripper leg with winged foot for LIQUID FERTILIZER	13,7
0431709	Thin ripper leg with winged foot for GRANULAR FERTILIZER and DIRECT SEEDING	10,5
04318	Chisel foot for chisel foot leg	2,0
04316	Winged foot, working width 500 mm suitable with chisel foot for chisel foot leg	3,0
04364	Chisel for thin ripper leg	1,0
04315	Chisel foot leg with chisel foot right/left	11,8
0431509	Chisel foot for granular fertilizer	11,0
04378	Chisel foot leg with chisel foot leg and shear right/left	15,0



CULTIVATOR VARIO. BASIC DEVICE.

- 1 For all soil work
- 2 To loosen hard soil structure
- 3 For aeration and the regeneration of moss-grown soils and grassed aisles

04139 041390 041391



04128



04130



04131



04132



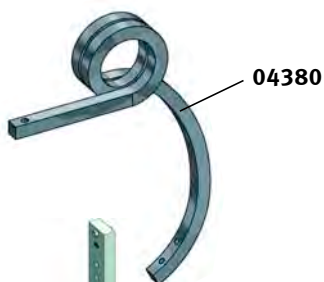
BRAUN Cultivator Vario

The universal implement for all soil maintenance work in fruit cultivation and viticulture

Cultivator tines

Different blades for cultivator leg

All common share types can be fixed on the shaft of the cultivator.



04380 S-shaped tines (04380) for rocky or clay soils.

04325



Moulboard plough FW 8



BRAUN Cultivator *Vario* and accessories

Ref. No.	Article	Weight in kg
04139	Cultivator tine 730 x 60 x 25 mm	8,5
041390	Cultivator tine (offset) 730 x 60 x 25 mm, right	8,5
041391	Cultivator tine (offset) 730 x 60 x 25 mm, left	8,5
04128	Ripper foot - curved 16 x 40 x 300 mm	1,5
04130	Goose foot shaped blade Heavy style, 200 mm	1,2
04131	Goose foot shaped blade Heavy style, 250 mm	1,6
04132	Goose foot shaped blade Heavy style, 300 mm	2,0
04380	S-shaped tines 30 x 30 mm right	12,7
04381	S-shaped tines 30 x 30 mm left	12,7
043801	Supplement for S-shaped tines	0,7
04325	Ploughing body FW 8, with rigid leg, 60 x 25 mm right	16,5
04326	left	16,5

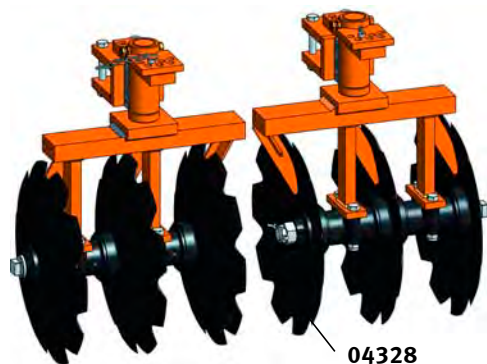


CULTIVATOR *VARIO*. BASIC DEVICE.

- 1 For all soil work
- 2 To loosen hard soil structure
- 3 For aeration and the regeneration of moss-grown soils and grassed aisles

BRAUN Cultivator *Vario*

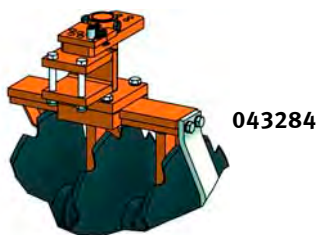
The universal implement for all soil maintenance work in fruit cultivation and viticulture



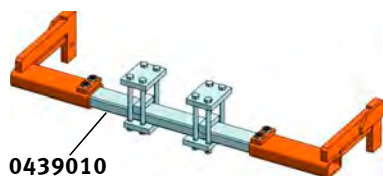
Disc harrows

With the set of disc harrows weed control can be achieved at a high working speed. Especially if used with the tried and tested winged foot and leg this will cut the weeds in a wide area with few tools.

The discs angle can be easily adjusted with the hole pattern plate without screws. 360° rotation allows discing both out and in.

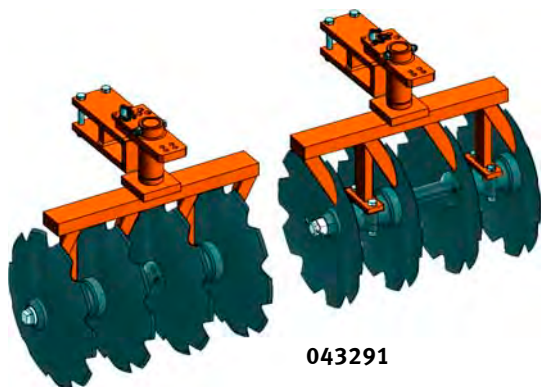


Horizontally slideable brackets for disc harrows



Cross beam mounting for set of disc harrows

The disc set is positioned parallel to the *Vario* cultivator. When the cultivator is extended, the set of disc harrows follow. Part of the BRAUN *Vario* modular system.



Set of 4 discs on mounting frame



BRAUN Cultivator *Vario* and accessories

Ref. No.	Article	Weight in kg
04328	Set of 3 disc harrows, adjustable	95,0
04329	Set of 4 disc harrows, adjustable	95,0
04379	Set of 5 disc harrows, adjustable	130,0
04377	Set of 6 disc harrows, adjustable	180,0
043282	Pair of deflector for disc harrows	5,2
043284	Set of 3 disc harrows, adjustable and slideable	166,0
043294	Set of 4 disc harrows, adjustable and slideable	115,0
043794	Set of 5 disc harrows, adjustable and slideable	130,0
043774	Set of 6 disc harrows, adjustable and slideable	180,0
0439010	Cross beam for disc harrows parallel with cultivator width adjustment Working width 1.000 mm	36,0
0439011	Working width 1.100 mm	38,0
0439012	Working width 1.200 mm	40,0
0439015	Working width 1.500 mm	43,0
0439017	Working width 1.700 mm	46,0
043281	Set of 3 discs on mounting frame for disc harrows in X-configuration	95,0
043291	Set of 4 discs on mounting frame for disc harrows in X-configuration	120,0

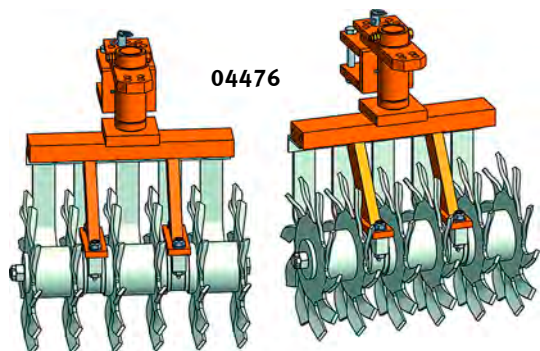


CULTIVATOR VARIO. BASIC DEVICE.

- 1 For all soil work
- 2 To loosen hard soil structure
- 3 For aeration and the regeneration of moss-grown soils and grassed aisles

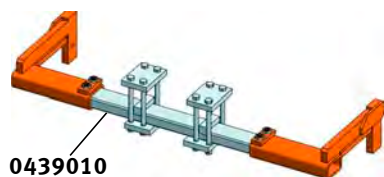
BRAUN Cultivator Vario

The universal implement for all soil maintenance work in fruit cultivation and viticulture



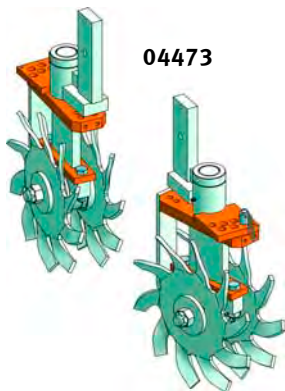
Rotary star tiller

to scarifie or to loosen the soil superficially in the row.

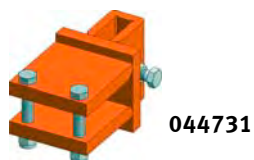


Cross beam mounting for set of disc harrows

The disc set is positioned parallel to the Vario cultivator. When the cultivator is extended, the set of disc harrows follow. Part of the BRAUN Vario modular system.



Pair of Rotary star tillers with double star wheels for center mounting on the cultivator frame



Mounting bracket for rotary star tiller on cross beam



BRAUN Cultivator *Vario* and accessories

Ref. No.	Article	Weight in kg
04474	Set of 4 Rotary star tillers	138,0
04475	Set of 5 Rotary star tillers	154,0
04476	Set of 6 Rotary star tillers	170,0
04477	Set of 7 Rotary star tillers	186,0
04478	Set of 8 Rotary star tillers	202,0
04479	Set of 9 Rotary star tillers	218,0
04480	Set of 10 Rotary star tillers	234,0
044744	Set of 4 Rotary star tillers adjustable and slideable	160,0
044754	Set of 5 Rotary star tillers adjustable and slideable	180,0
044764	Set of 6 Rotary star tillers adjustable and slideable	200,0
0439010	Cross beam for disc harrows parallel with cultivator width adjustment Working width 1.000 mm	36,0
0439011	Working width 1.100 mm	38,0
0439012	Working width 1.200 mm	40,0
0439015	Working width 1.500 mm	43,0
0439017	Working width 1.700 mm	46,0
044741	Set of 4 Rotary star tillers on mounting frame only for X-configuration	138,0
044761	Set of 6 Rotary star tillers on mounting frame only for X-configuration	160,0
044771	Set of 7 Rotary star tillers on mounting frame only for X-configuration	186,0
044781	Set of 8 Rotary star tillers on mounting frame only for X-configuration	202,0
04473	Pair of Rotary star tillers with double star wheels, for center mounting on the cultivator frame	65,0
044731	Mounting bracket for Rotary star tiller on cross beam	12,5

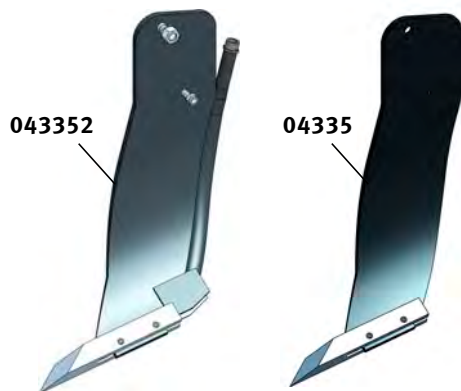


CULTIVATOR VARIO. BASIC DEVICE.

- 1 For all soil work
- 2 To loosen hard soil structure
- 3 For aeration and the regeneration of moss-grown soils and grassed aisles

BRAUN Cultivator Vario

The universal implement for all soil maintenance work in fruit cultivation and viticulture

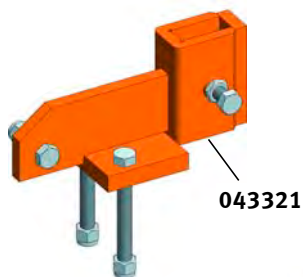


Para-plough

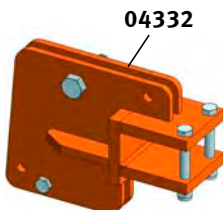
The BRAUN Vario cultivator, using the cross bar, brackets and para-plough tines can be converted into a para-plough with little time.



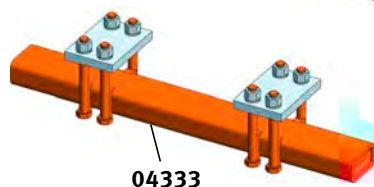
Chisel for para-plough tines



Bracket to add swivelling coulters at para-plough tine



Bracket for para-plough



Cross bar for para-plough brackets

Working width 850 mm



Nitrogen maintenance of the vine –

realizable with the BRAUN Modular System Cultivator Vario

1. Control of chlorosis through the combination of AHL und iron chelate.
2. Loosening and aeration of the grassed aisle between the rows without damage of the turf.



BRAUN Cultivator *Vario* and accessories

Ref. No.	Article	Weight in kg
04332	Bracket for para-plough right / left	18,5
043321	Bracket for swivel coulters to be mounted at the para-plough bracket	18,5
04333	Cross bar for para-ploughbrackets (Ref. No. 04332 and 043321) Working width 850 mm	36,0
0433311	Working width 1.150 mm	
0433312	Working width 1.250 mm	
0433313	Working width 1.300 mm	
04334	Para-plough tines with chisel blade right	26,0
04335	left	26,0
043341	Para-plough tines with chisel blade, for liquid manure right	28,5
043351	left	28,5
043342	Para-plough tines with chisel blade for granular fertiliser right	28,5
043352	left	28,5
00433402	Chisel for para-plough tines right	4,8
00433502	left	4,8
04375	Pair of support legs for para-plough	35,0
	<i>Liquid fertiliser</i>	
04410	Fertiliser tank Economy 150 l with diaphragm pump all fittings incl. equipment of brace 2-fold	30,0
044101	Electric remote control Combined with the tank 04410 with gauges and switches	1,0
044102	Fertiliser tank bracket for cultivator	6,0



CULTIVATOR VARIO. BASIC DEVICE.

- 1 For all soil work
- 2 To loosen hard soil structure
- 3 For aeration and the regeneration of moss-grown soils and grassed aisles

BRAUN Cultivator Vario

The universal implement for all soil maintenance work in fruit cultivation and viticulture

Crumbler roller

is designed for heavy duty.

The toothed edges are arrow-shaped and curved, thereby it's perfectly stable. No pulling to the left or right.

The roller has a diameter of 340mm or 400mm with bolted bearing shaft, therefore the consumables can be easily replaced.

Spade roller harrow

The spade roller harrow allows a better oxygen supply of roots by breaking up soil, and thus supports the regeneration of vegetation.

Ideal for slopes because the ground is cut open with the chisel feet and the spade roller breaks up large chunks of soil at a greater depth. The working depth is regulated by a crumbler roller which also stabilizes the spade roller harrow.

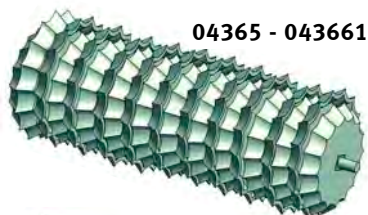
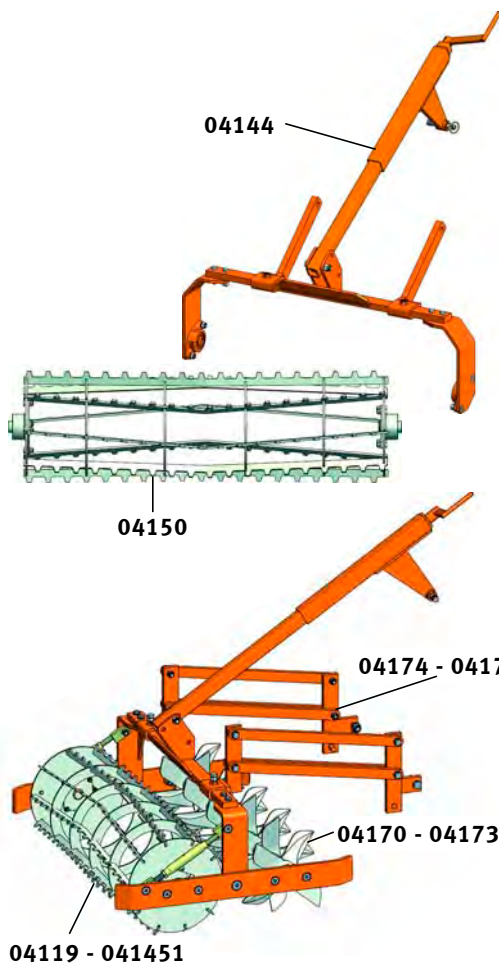
Star cracker roller

crumbles, merges and compacts vegetated and open soils.

Güttler Packer roller

for preparation of heavy clay based soil for sowing.

Pipe roller





BRAUN Cultivator *Vario* and accessories

Ref. No.	Article	Weight in kg
04144	Spindle adjustable three-point-mounting for all crumbler rollers mounted on the mounting frame (Ref. No.: 04306)	56,0
041442	Spindle adjustable three-point-mounting for all rollers over 1.500 mm	90,0
04119	Crumbler roller 750 mm, unframed	14,0
04149	Crumbler roller 880 mm, unframed	16,0
04120	Crumbler roller 1.000 mm, unframed	18,0
04150	Crumbler roller 1.100 mm, unframed	20,0
04121	Crumbler roller 1.250 mm, unframed	22,0
04122	Crumbler roller 1.500 mm, unframed	24,0
041191	Crumbler roller 750 mm, unframed ø 400 mm	16,0
041491	Crumbler roller 880 mm, unframed ø 400 mm	18,0
041201	Crumbler roller 1.000 mm, unframed ø 400 mm	20,0
041501	Crumbler roller 1.100 mm, unframed ø 400 mm	22,0
041211	Crumbler roller 1.250 mm, unframed ø 400 mm	24,0
041221	Crumbler roller 1.500 mm, unframed ø 400 mm	26,0
041451	Crumbler roller 1.800 mm, unframed ø 400 mm	28,0
041231	Pipe roller 750 mm, unframed	27,0
04177	Pipe roller 880 mm, unframed	27,0
04123	Pipe roller 1.000 mm, unframed	27,0
041232	Pipe roller 1.100 mm, unframed	27,0
04124	Pipe roller 1.250 mm, unframed	35,0
041241	Pipe roller 1.500 mm, unframed	35,0
041242	Pipe roller 1.750 mm, unframed	35,0
04365	Güttler Packer roller 1.000 mm with ball bearings, unframed	180,0
043651	Güttler Packer roller 1.100 mm with ball bearings, unframed	200,0
04366	Güttler Packer roller 1.300 mm with ball bearings, unframed	250,0
043661	Güttler Packer roller 1.600 mm with ball bearings, unframed	280,0
04170	Spade roller harrow 1.000 mm	40,0
04171	Spade roller harrow 1.100 mm	45,0
04172	Spade roller harrow 1.250 mm	50,0
04173	Spade roller harrow 1.500 mm	60,0
04174	Parallel bracket with ball bearings 1.000 mm	40,0
04175	Parallel bracket with ball bearings 1.100 mm	40,0
04178	Parallel bracket with ball bearings 1.250 mm	40,0
04176	Parallel bracket with ball bearings 1.500 mm	60,0
04181	Star cracker roller SE 11 1.120 mm	200,0
04182	Star cracker roller SE 12 1.250 mm	210,0
04183	Star cracker roller SE 15 1.500 mm	220,0



CULTIVATOR *VARIO*. BASIC DEVICE.

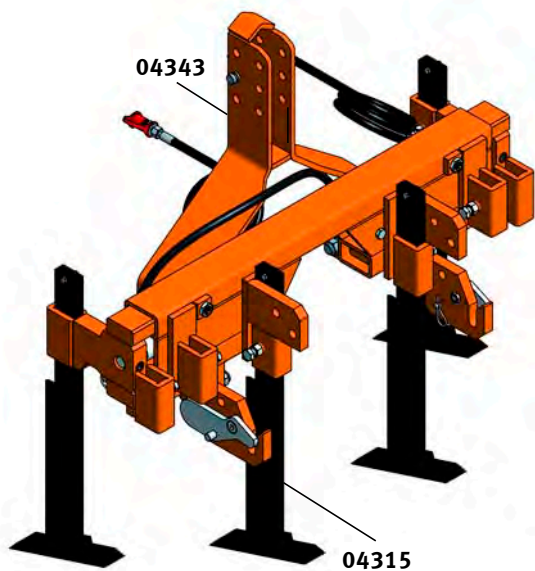
- 1 For all soil work
- 2 To loosen hard soil structure
- 3 For aeration and the regeneration of moss-grown soils and grassed aisles

BRAUN Cultivator *Vario* Combinations and ordering examples

Cultivator *Vario* HZ 4 BV for row width 1,60 - 2,00 m

Equipped with

➔ **classical Cultivator,**
inclusive adaption plate with chisel blade and leg
for breaking up of hard soil and avoiding forming blocks

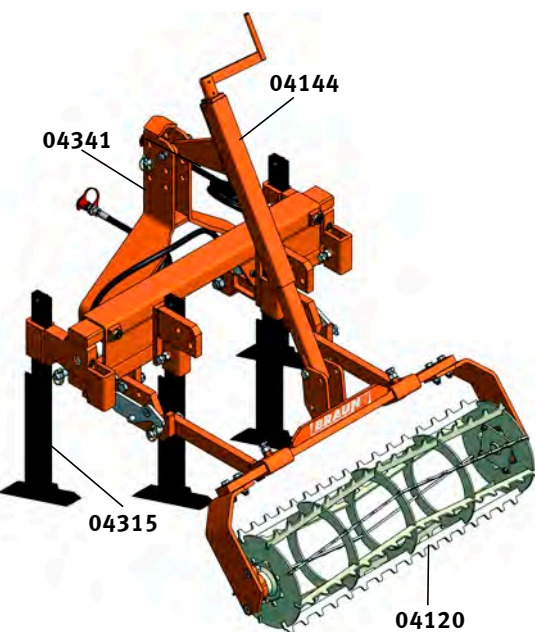


Ref. No.	Article	Quantity
04343	Cultivator <i>Vario</i> HZ 4 BV, hydr. adjustable Working width 1.100 - 1.600 mm	1
04315	Chisel blade leg with chisel blade	4
0043033	Mounting plate for KAT I standard right	1
00430331	left	1

Cultivator *Vario* HZ 4 BV for row width 1,60 - 2,00 m

Equipped with

➔ **short cultivator, chisel blades and crumb roller**
for subsoiling of medium soil



Ref. No.	Article	Quantity
04341	Cultivator <i>Vario</i> HZ 4 BV, hydr. adjustable Working width 1.000 - 1.400 mm	1
04315	Chisel blade leg with chisel blade	4
04144	Spindle adjustable three-point-mounting, (directly mounted on the cultivator) short version	1
04120	Crumbler roller 1.000 mm, unframed	1
0043033	Mounting plate for KAT I standard right	1
00430331	left	1



BRAUN Cultivator *Vario* | Combinations

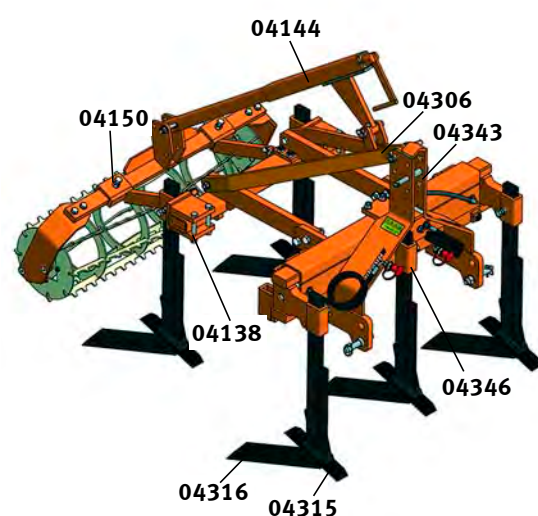
Cultivator *Vario* HZ 4 BV for row width 1,80 - 2,00 m

Equipped for

➔ **working with light soil**

High passage and light tools ensure clog-free cultivation

Ref. No.	Article	Quantity
04343	Cultivator <i>Vario</i> HZ 4 BV, hydr. adjustable Working width 1.100 - 1.600 mm	1
04306	Mounting frame for cultivator 600 mm	1
04138	Bracket for cultivator	2
04346	Bracket for cultivator, middle	1
04315	Chisel blade leg with chisel blade, right	5
04316	Wing-share for chisel tine	5
04144	Spindle adjustable three-point-mounting, (mounted on the mounting frame)	1
04150	Crumbler roller 1.100 mm	1

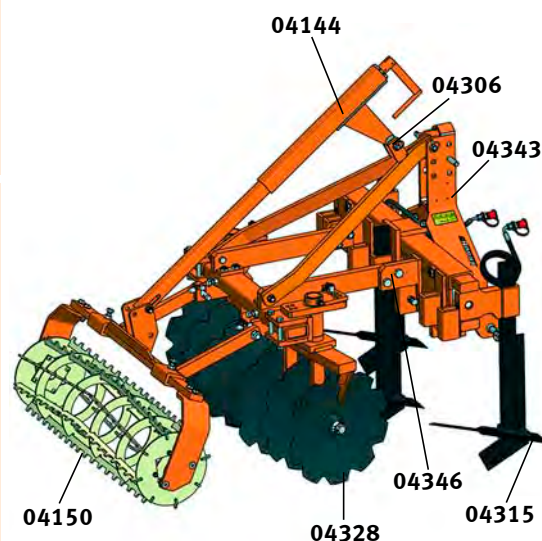


Cultivator *Vario* HZ 4 BV for row width 1,70 - 2,00 m

Equipped with

➔ **disc harrows and wing blade for weed control
to work at high speed**

Ref. No.	Article	Quantity
04343	Cultivator <i>Vario</i> HZ 4 BV, hydr. adjustable Working width 1100 - 1600 mm	1
04306	Mounting frame for cultivator 600 mm	1
04346	Bracket for cultivator, middle	1
04315	Chisel blade leg with chisel blade, right	3
04316	Wing-share for chisel tine	3
04328	Set of three swivelling disc harrows	1
04144	Spindle adjustable three-point-mounting (mounted on the mounting frame)	1
04150	Crumbler roller 1.100 mm	1





CULTIVATOR *VARIO*. BASIC DEVICE.

- 1 For all soil work
- 2 To loosen hard soil structure
- 3 For aeration and the regeneration of moss-grown soils and grassed aisles

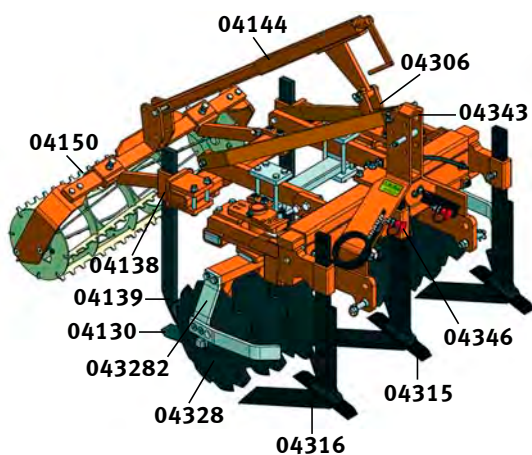
BRAUN Cultivator *Vario* Combinations and ordering examples

Cultivator *Vario* HZ 4 BV

Equipped for

➔ working with light soil

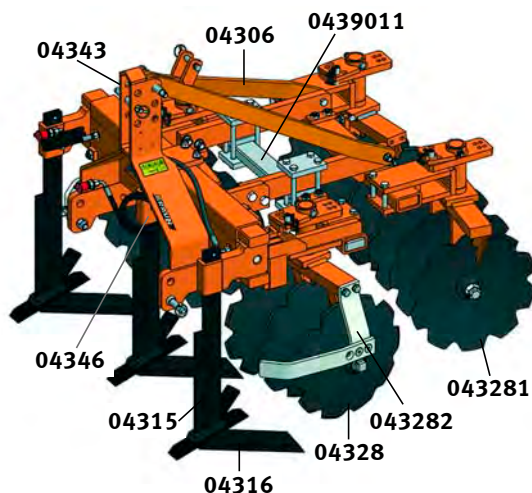
High passage and light tools ensure clog-free cultivation



Ref. No.	Article	Quantity
04343	Cultivator <i>Vario</i> HZ 4 BV, hydr. adjustable Working width 1.100 - 1.600 mm	1
04306	Mounting frame for cultivator, 600 mm	1
04138	Bracket for cultivator	2
04346	Bracket for cultivator tine, middle	1
04315	Chisel blade leg with chisel blade, right	3
04316	Wing-share for chisel tine	3
04139	Cultivator tine	2
04130	Goose foot blade, 200 mm	2
0439011	Cross beam for disc harrows	1
04328	Set of three swivelling disc harrows	1
04144	Spindle adjustable three-point-mounting, (mounted on the mounting frame)	1
04150	Crumbler roller 1.100 mm	1

Cultivator *Vario* HZ 4 BV for row width 1,80 - 2,00 m

Equipped with ➔ triple disc harrows, X-shaped



Ref. No.	Article	Quantity
04343	Cultivator <i>Vario</i> HZ 4 BV, hydr. adjustable Working width 1.100 - 1.600 mm	1
04306	Mounting frame for cultivator 600 mm	1
04346	Bracket for cultivator tine, middle	1
04315	Chisel blade leg with chisel blade, right	3
04316	Wing-share for chisel tine	3
04328	Set of three swivelling disc harrows	1
043281	Set of 3-fold disc harrows	1
0439011	Cross beam for disc harrows	1

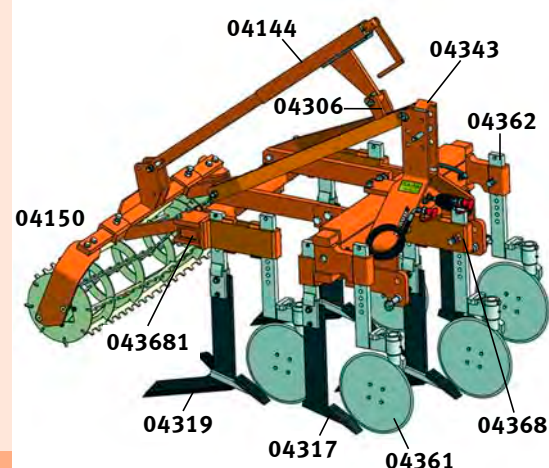


BRAUN Cultivator *Vario* | Combinations

Cultivator *Vario* HZ 4 BV

Equipped with → **Wing blades and swivel coulters to aerate plantation**

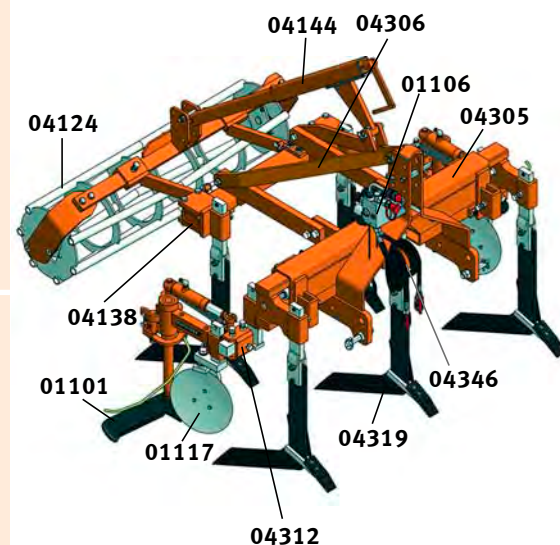
Ref. No.	Article	Quantity
04343	Cultivator <i>Vario</i> HZ 4 BV, hydr. adjustable Working width 1.100 - 1.600 mm	1
04306	Mounting frame for cultivator, 600 mm	1
04368	Bracket middle for cultivator and swivel coulters	1
043681	Bracket for cultivator leg and swivel coulters	2
04319	Wing blade with leg	3
04317	Wing blade leg without wing blade	2
04361	Swivel coulter, right	3
04362	Swivel coulter, left	2
04144	Spindle adjustable three-point-mounting, (mounted on the mounting frame)	1
04150	Crumbler roller 1.100 mm	1



Cultivator *Vario* HZ 6 BV

Equipped with → **Wing blades, LUV-devices, concave coulter and pipe roller**
Aeration and regeneration of mossy weed rows or weed control

Ref. No.	Article	Quantity
04305	Cultivator <i>Vario</i> HZ 6 BV, hydr. adjustable Working width 1.250 - 1.750 mm	1
04306	Mounting frame for cultivator, 600 mm	1
04346	Bracket for cultivator tine, middle	1
04138	Bracket for cultivator tine	2
04319	Wing blade with leg	5
04144	Spindle adjustable three-point-mounting, (mounted on the mounting frame)	1
04124	Pipe roller 1.250 mm	1
04312	Bracket for mounting LUV-device, square 50 mm, right	1
04356	Bracket for mounting LUV-device, square 50 mm, left	1
01101	LUV <i>Perfekt</i> , right	1
01102	LUV <i>Perfekt</i> , left	1
01106	Dual electro-magnetic overriding control	1
043034	Bracket for override control for cultivator	1
01117	Concave Coulter disc 300 mm, right	1
01118	Concave Coulter disc 300 mm, left	1



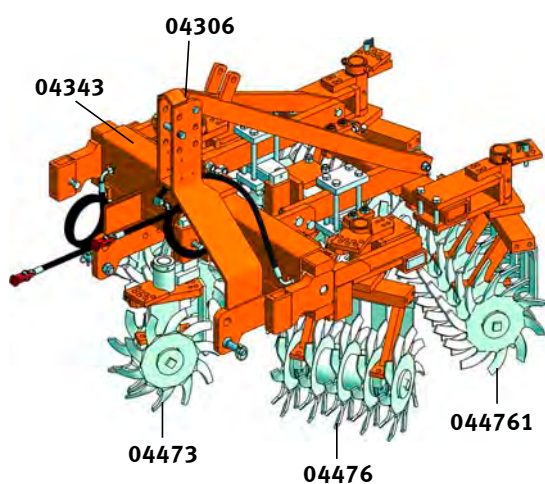


CULTIVATOR *VARIO*. BASIC DEVICE.

- 1 For all soil work
- 2 To loosen hard soil structure
- 3 For aeration and the regeneration of moss-grown soils and grassed aisles

Cultivator *Vario* HZ 4 BV for row width 1,80 - 2,00 m

Equipped as → **Rotary star tiller in X-configuration
for superficial soil working in the rows**

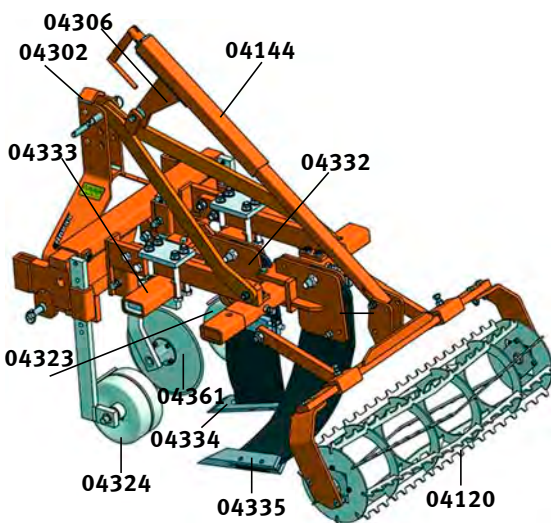


Ref. No.	Article	Quantity
04343	Cultivator <i>Vario</i> HZ 4 BV, hydr. adjustable Working width 1.100 - 1.600 mm	1
04306	Mounting frame for cultivator 600 mm	1
04346	Bracket for cultivator, middle	1
044731	Mounting bracket for rotary star tiller on cross beam	1
04473	Pair of rotary star tillers with double star wheels for center mounting on the cultivator frame	1
04476	Set of 6 swivel Rotary star tillers	1
044761	Set of 6 swivel Rotary star tillers on mounting frame, only for X-configuration	1
0439011	Cross beam for disc harrows, Rotary star tiller	1

BRAUN Modular Solution total:

Cultivator *Vario* MZ 4 BV for row width 1,60 - 2,00 m

Equipped as → **Para-plough with land wheels and crumbler roller
to subsoiling leafy alleys**



Ref. No.	Article	Quantity
04302	Cultivator <i>Vario</i> MZ 4 BV, mech. adjustable, Working width 900 - 1.300 mm	1
04306	Mounting frame for cultivator 600 mm	1
04332	Bracket for para-plough	2
04333	Cross bar for bracket 04332, working width 850 mm	1
04334	Para-plough tines, right	1
04335	Para-plough tines, left	1
043321	Clamp for swivel cutting disc on para-plough	1
04361	Swivel coulters, right	1
04144	Spindle adjustable three-point-mounting (mounted on the mounting frame)	1
04120	Crumbler roller 1.000 mm	1
04323	Land wheel for cultivator, right	1
04324	Land wheel for cultivator, left	1
04138	Bracket for cultivator tine	2
04375	Pair of supporting legs for para-plough	1



Australian Distributor

**AUSTRALIAN AGRICULTURE & VITICULTURE
SUPPLIES**

ph: 08 8326 0848

email: salesteam@aavsupplies.com.au

address: 40A O'Sullivan Beach Rd, Lonsdale, SA 5160

Web: www.aavsupplies.com.au

