



**BRAUN** 

**BRAUN MACHINERY ENABLES YOU TO NURTURE THE BLESSINGS OF THE VINES**



**PURPOSE DESIGNED AND  
PRODUCED IN THE HEART  
OF VINEYARD COUNTRY**

## **BRAUN Rotary Star Tiller**



# ROTARY STAR TILLER

- 1 Loosens soil along the vine rows
- 2 Mechanical weed control under vines



## The BRAUN Rotary Star Tiller with multiple hole and pin adjustment configuration

The BRAUN Rotary Star Tiller is an entirely new concept in vineyard cultivation and weed control. Adjustment for angle, depth and pitch is simple, **without** the need for tools. The Rotary Star Tiller operates at speeds never previously possible, and simultaneously produces a perfect result.

The Rotary Star Tiller achieves the following:

- Loosens and conditions the soil
- Breaks down clods and previously turned over root mat
- Disturbs and lifts weeds in the ground
- Adjusted to throw soil into the row, keeping grassed aisles tidy
- Quick and practical environmentally-friendly work



Compared to the standard disc, the Rotary Star Tiller is able to achieve good results at low speeds of 3-4 km/h. However at optimal operating speeds of 7-12 km/h work is performed faster than any other type of equipment. Depending on the angle/tilt of the machine, the Rotary Star Tiller is capable of working a width of 120-180 mm.

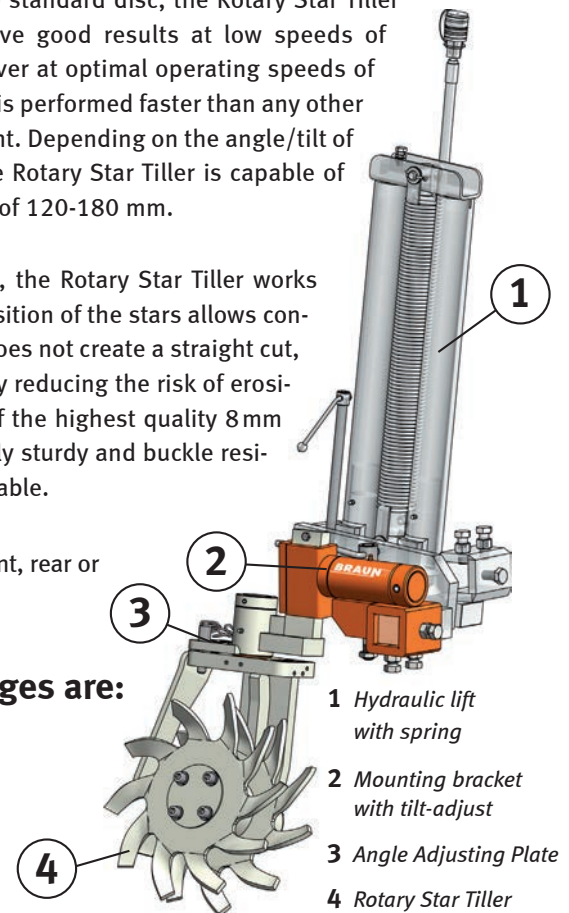


Depending on the angle of adjustment, the Rotary Star Tiller works more or less aggressively. The offset position of the stars allows continuous penetration while turning and does not create a straight cut, fluted edge or line, thereby considerably reducing the risk of erosion on sloping vineyards. Constructed of the highest quality 8 mm thick steel, the rotary stars are extremely sturdy and buckle resistant. An optional side deflector is available.

The Rotary Star Tiller can be mounted front, rear or between the tractor axles.

### Distinctive BRAUN advantages are:

- Adjustable without tools
- Low/High working speed
- Reduced erosion risk
- Easy handling
- Gentle on soil



### Technical Data

Diameter	400 mm
Thickness	8 mm

### Australian Distributor

**AUSTRALIAN AGRICULTURE & VITICULTURE SUPPLIES**

p: 08 8326 0848

e: [salesteam@aavsupplies.com.au](mailto:salesteam@aavsupplies.com.au)

a: 40A O'Sullivan Beach Rd, Lonsdale, SA 5160

[www.aavsupplies.com.au](http://www.aavsupplies.com.au)

