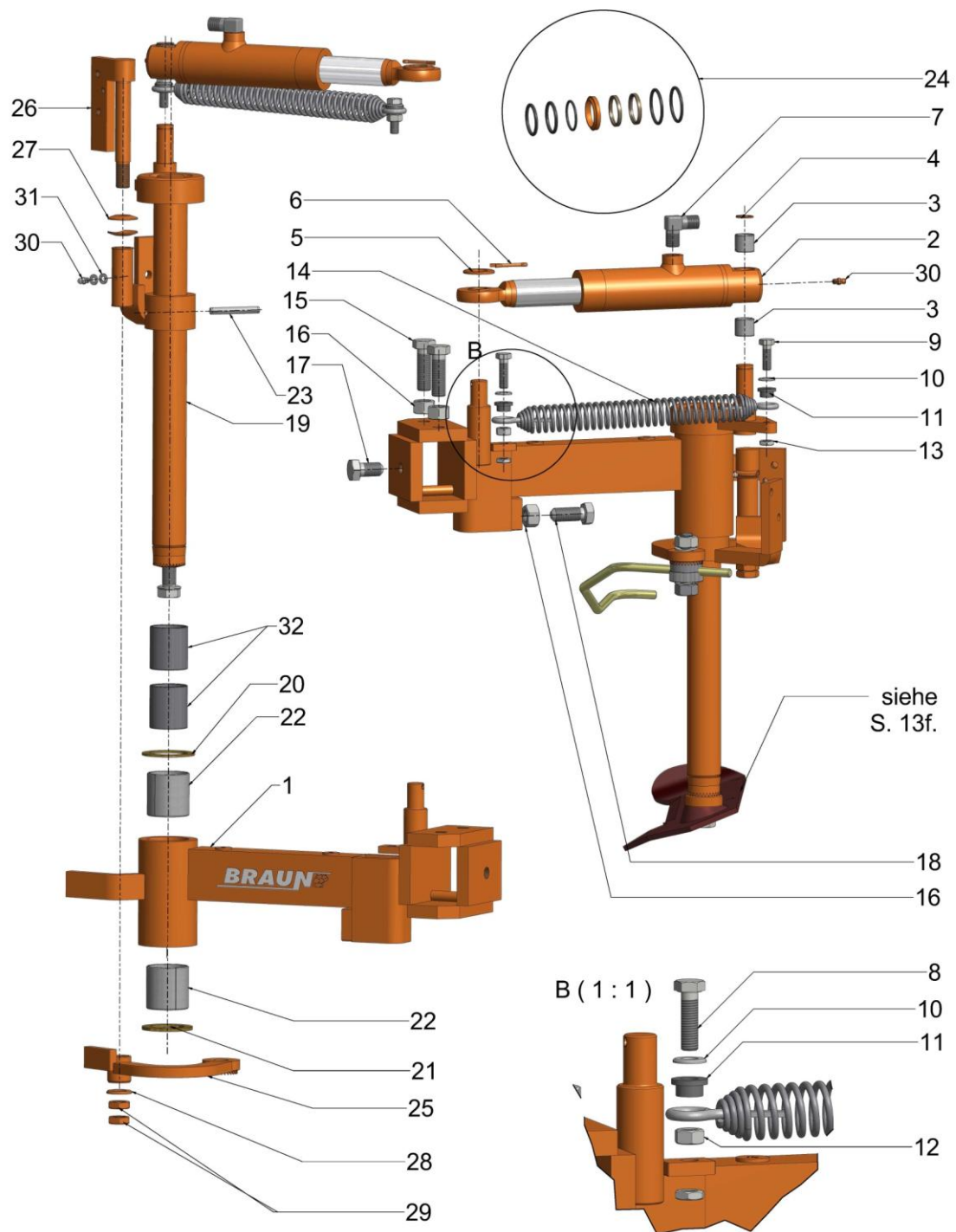


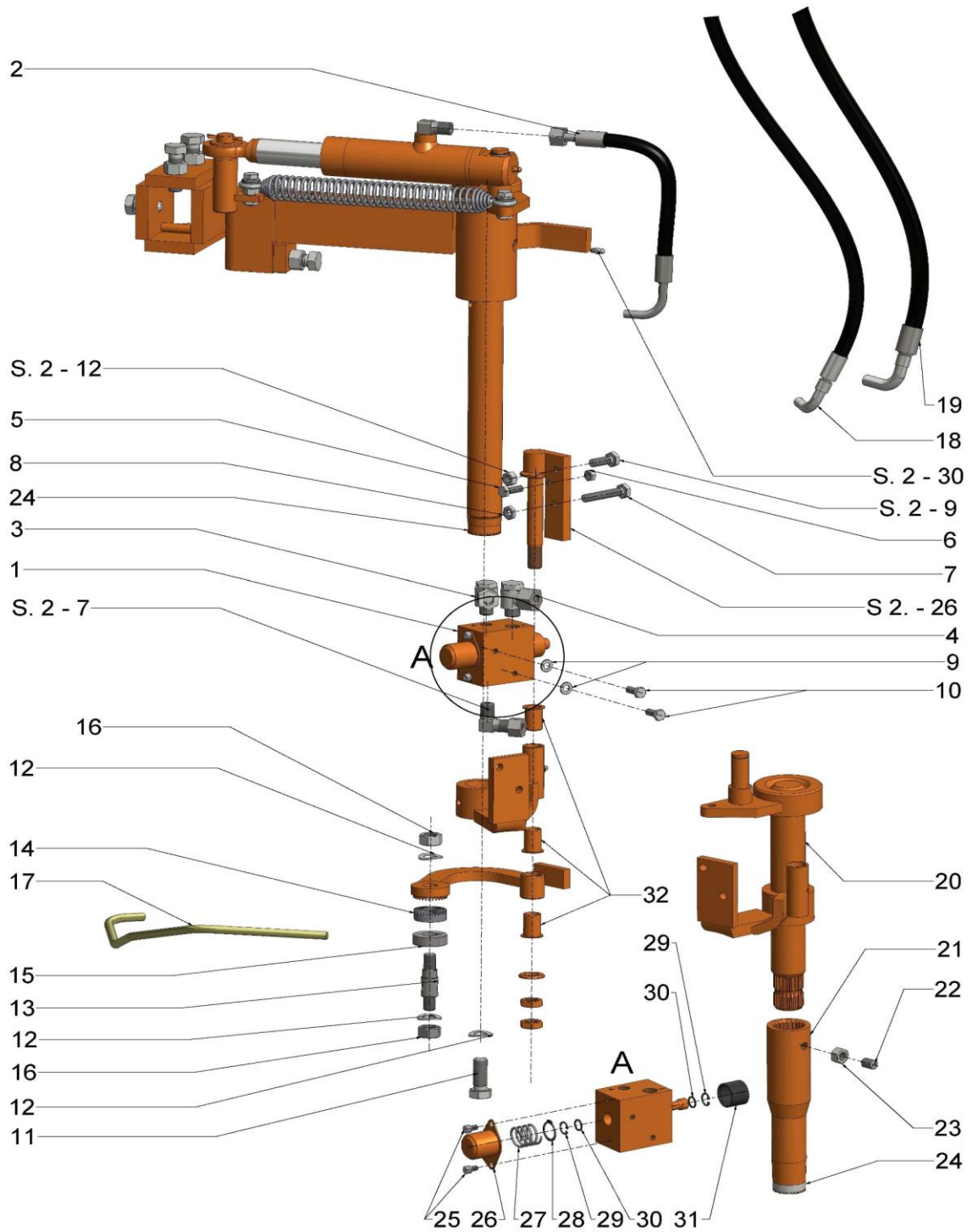
Braun LUV 'Perfekt' Weeder Spare Parts List

Made in Germany



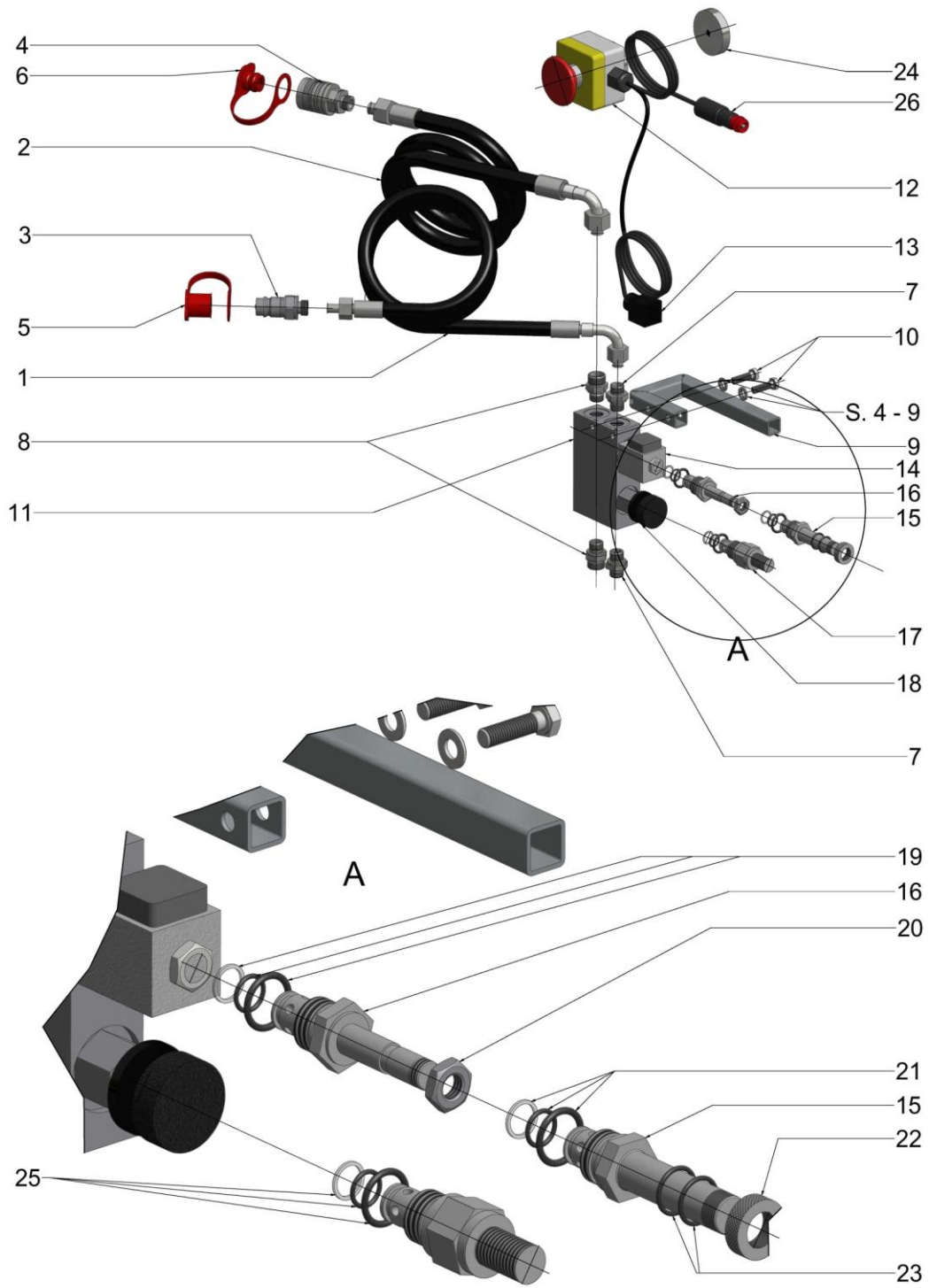
Spare parts list - LUV "Perfekt"

Fig.	Item No.	Description	Notes
	(01101) (01102) (01103) (01104)	LUV Perfekt R/H weeder unit with 350 mm blade LUV Perfekt L/H weeder unit with 350 mm blade LUV Perfekt R/H weeder unit with 500 mm blade LUV Perfekt L/H weeder unit with 500 mm blade	
1	001024 (0010241)	Mounting Body R/H Mounting Body L/H	
2	70032802	Complete Cylinder 80 mm Stroke	
3	402020	Graphite Bush 2020 DU	
4	210201	Circlip A20	
5	2012101	U-washer M20 Zn	
6	61043610	Splint pin 4x36 Zn # 03	
7	50101221	Elbow Union WEV 12LM16x1,5	
8	101103501	Hexagon bolt 8.8 M10x35 ZN	
9	101103001	Hexagon bolt 8.8 M10x30 Zn	
10	2011001	Washer M10 Zn	
11	45101610	Return spring beating bush	
12	15010101	Nut 8.8 M 10 1/1 Zn	
13	15010001	Hulf Nut 04 M10 1/2 Zn	
14	92331600	Return spring # 17	
15	101165001	Hexagon bolt 8.8 M16x50 Zn	
16	15016101	Hexagon nut 8.8 M16 1/1 Zn	
17	103163001	Retaining bolt M16x30 Zn	
18	103163501	Retaining bolt 8.8 M16x35 Zn	
19	001481 (0014811)	Blade shaft R/H with crown plate and mounting piece Blade shaft L/H with crown plate and mounting piece	
20	001021	Bronze bush (top)	
21	001027	Bronze bush (bottom)	
22	404550	Graphite Bush 4550 DU	
23	66086000	Spiral roll pin M8x60 bl	
24	52732802 (52700302)	Sealing kit for LUV-cylinder 32x80 new Sealing kit for LUV-cylinder 80/90 old	
25	001041 (0010411)	Feeler arm mount R/H Feeler arm mount L/H	
26	001034 (0010341)	Sensor activator plate assy. R/H Sensor activator plate assy. L/H	
27	206355183125	Disc spring 35,5x18,3x1,25mm	
28	2011701	U-plate M16 Zn	
29	15016091	Hexagon nut 8.8 M16 1/2 Zn	
30	9406	Grease nipple M6 x 1 straight	
31	202061	Spring washer M6 Zn	
32	4640501	Hardened bushes 40x45x50	



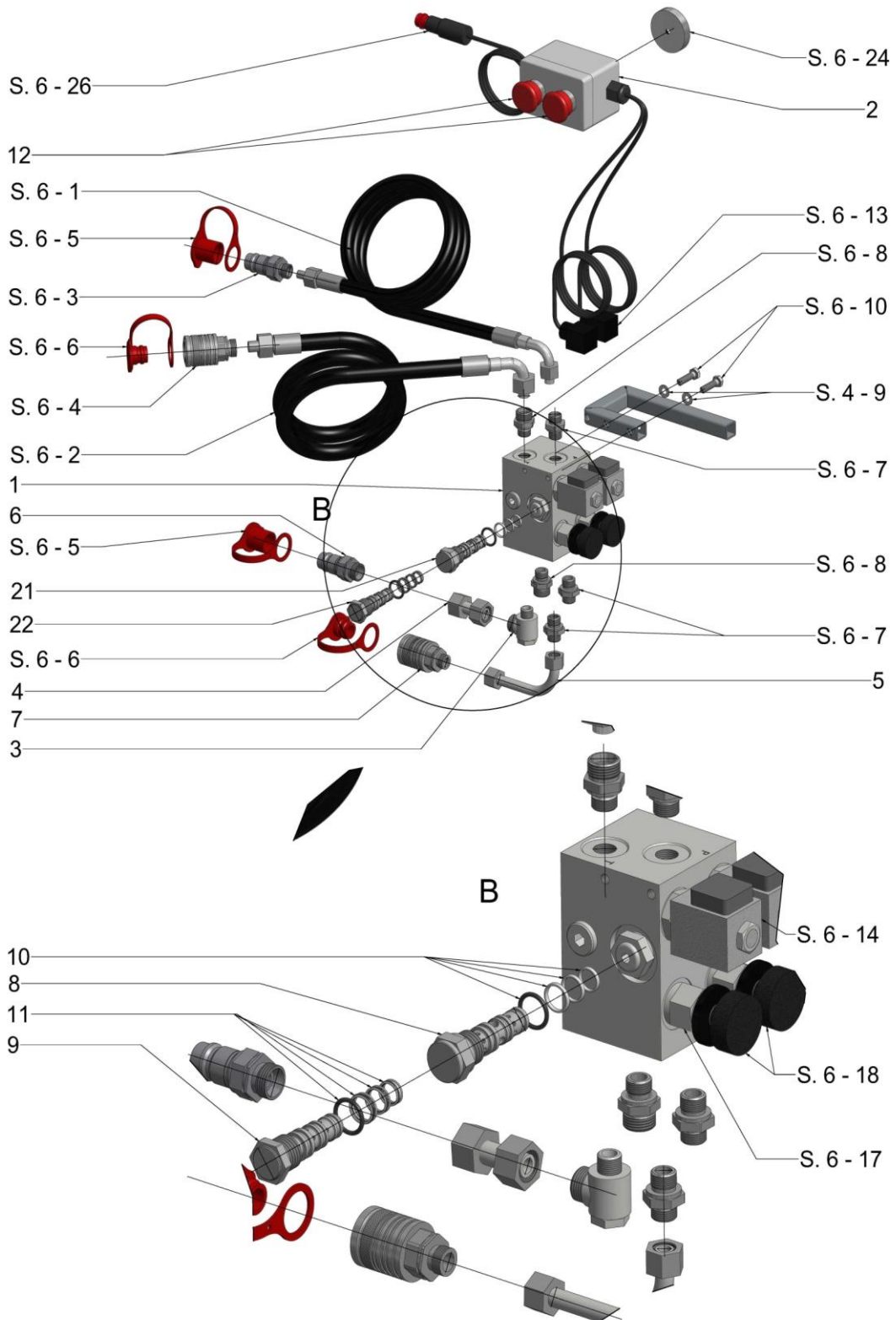
Spare parts list - LUV "Perfekt"

Fig.	Item No.	Description	Notes
1	59306	Complete Activator valve	
2	5406012100350 (54060121003501)	Hydraulic tube NW10x350 Hydraulic tube NW10x350	
3	50201221	Swivel elbow connector, SWV 12L M16x1,5	
4	50201531	Swivel Elbow Connector SWV 15L M18x1,5	
5	101082501	Hexagon bolt 8.8 M8x25 Zn	
6	15008101	Hexagon nut 8.8 M8 1/1 Zn	
7	101106001	Hexagon bolt 8.8 M10x60 Zn	
8	15010091	Hexagon nut 4.6 M10 1/2 Zn	
9	20108401	Washer M8 Zn	
10	101082001	Hexagon bolt 8.8 M8x20 Zn	
11	101165021	hexagon bolt 10.9 M16x50 zn	
12	20517201	Lock washer	
13	001044	Feeler arm retainer Zn	
14	001043	Feeler arm angle adjuster R/H	
15	0010431	Sensor activator plate assy. R/H	
16	150141011150	hexagon nut 8.8 M14x1,5 1/1 Zn	
17	001045 (0010451) (001045500) (0010455001)	Feeler arm R/H Zn 350mm Feeler arm L/H Zn 350mm Feeler arm right #45 Zn, 500 mm - new Feeler arm left # 45 Zn, 500 mm - new	
18	5406012100750	Hydraulic tube g/90m/o L12/12 NW10x750	
19	5406015130750	Hydraulic tube g/90m/o L15/15 NW13x750	
	(01311) (01312)	LUV Perfekt R/H short with spline shaft and 350mm blade LUV Perfekt L/H weeder unit with 350mm blade	
20	00131102 (00131202)	Blade shaft R/H with splined shaft and mounting piece Blade shaft L/H with splined shaft and mounting piece	
21	00131104	Blade shaft extension with splined hub and crown plate	
22	126122000	Grub bolt 914 45H M12x20	
23	15012101	Hexagonal nut 8.8 M 12 1/1 Zn	
24	208011 (208013)	Crown plate for blade shaft convex Pair of Crown plates convex-concav	
25	106061000	Cylinder head bolt, 6 mm 8.8 M 6 x 10	
26	5931604	End Cap	
27	9225431	Spring	
28	5931603	Spring plate	
29	210161	Circlip 16 A	
30	5311220	O-ring 12 x 2	
31	5391025	Rubber gaiter	
32	451822	Nylon bush 18x22	



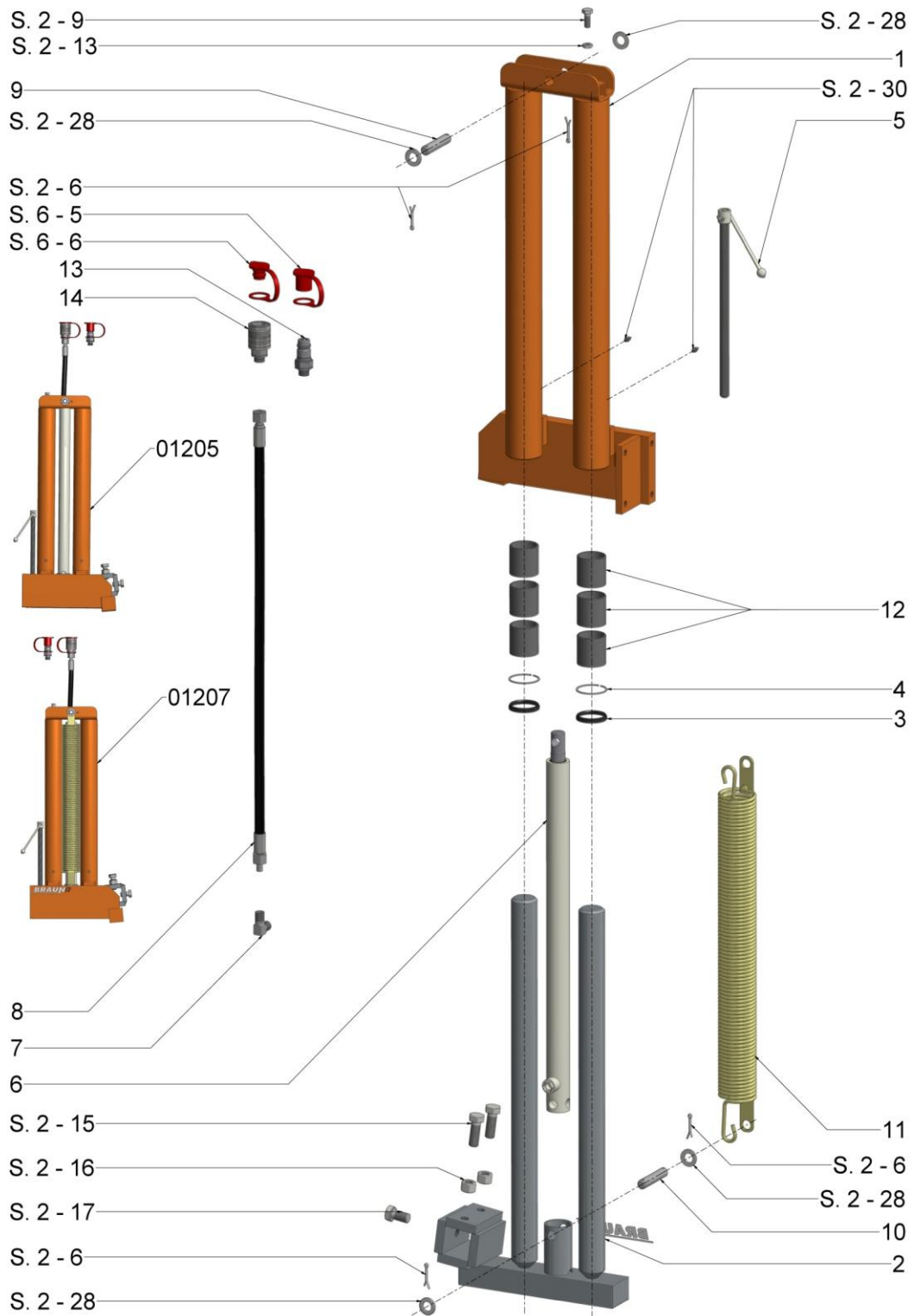
Spare parts list - LUV "Perfekt"

Fig.	Item No.	Description	Notes
	(01105)	Single electro-magnetic overriding control	
1	5407012101150	Hydraulic tube g/90 m/m L 12/12 NW10x1150	
	(5407012101500)	Hydraulic tube g/90 m/m L 12/12 NW 10x1500	
2	5407015131150	Hydraulic tube g/90 m/m S 15/15 NW13x1150	
	(5407015131500)	Hydraulic tube g/90 m/m S 15/15 NW13x1500	
3	510318	male snap coupling M18x1,5	
4	510122	Female snap coupling M22x1,5	
5	5104	Dust cap	
6	5102	Female Dust cap	
7	50051231	m/F connector GEV 12L M18 x1,5 Zn	
8	50051531	Connector GEV 15LM18x1,5	
9	001072	Mounting tube	
10	101083001	Hexagon bolt 8.8 M8x30 Zn	
11	590107	control bloc	
12	84110	Complete Electronic activator I1M (Single)	
13	823	Solenoid connector	
14	85127 (85124)	Solenoid body (Vickers) Solenoid body (Sun)	
15	59104	Solenoid shaft (Sun)	
16	59107	Solenoid shaft (Vickers)	
17	59207 (59204)	Pressure regulator valve (Vickers) Pressure regulator valve (Sun)	
18	5921701 (5921401)	Regulating knob (Vickers) Regulating knob (Sun)	
19	5217	Sealing kit (Vickers)	
20	5214	Sealing kit (Sun)	
21	1531609110	Nut (Sun)	
22	5311620	O-Ring 16x2	
23	89001	Magnetic base (Activator body)	
24	5227 (5224)	Sealing kit for pressure regulator valve (Vickers) Sealing kit for pressure regulator valve (Sun)	
25	8220	Male plug end	



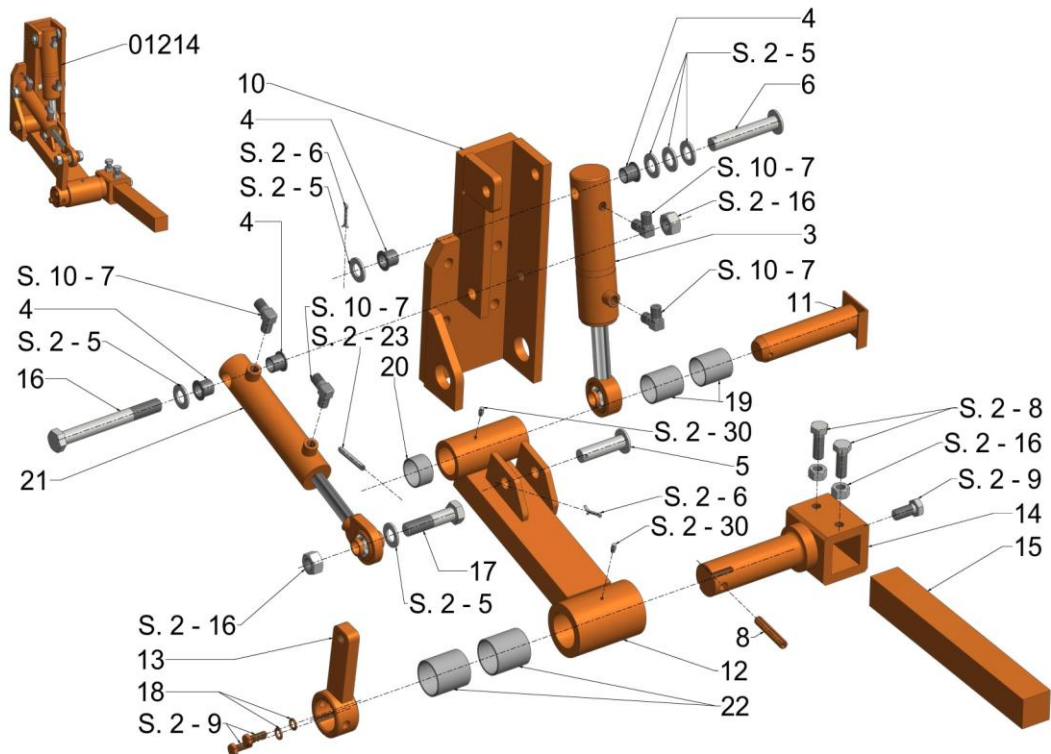
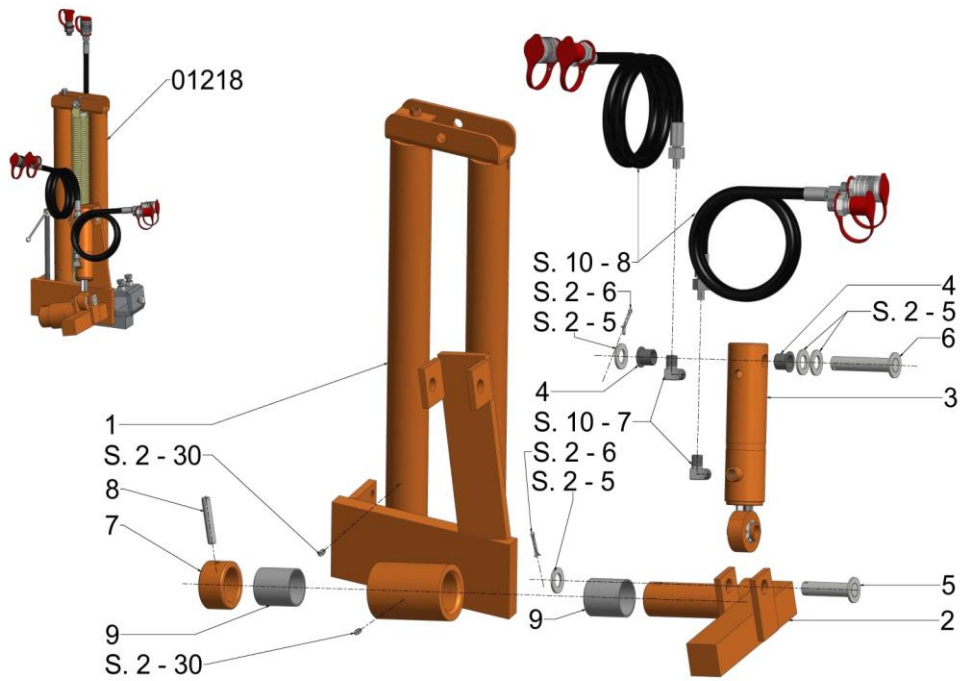
Spare parts list - LUV "Perfekt"

Fig.	Item No.	Description	Notes
	(01106)	Dual electro-magnetic overriding control	
1	590207	Control bloc for double controller	
2	84120	Complete electronic activator I2M (Double)	
3	50201231	Swivel Connector SWV 12L M 18x1,5	
4	001103	Connector, F/F 18 mm	
5	001104*	Elbow 90°	
6	510322	Male snap coupling M22x1,5	
7	510118	Female snap coupling M18x1,5	
8	5944	Equaliser valve (Sun)	
9	5947	Equaliser valve (Vickers)	
10	5244	Equaliser valve seals	
11	5247	Equaliser valve seals	
12	8311	Activator button	



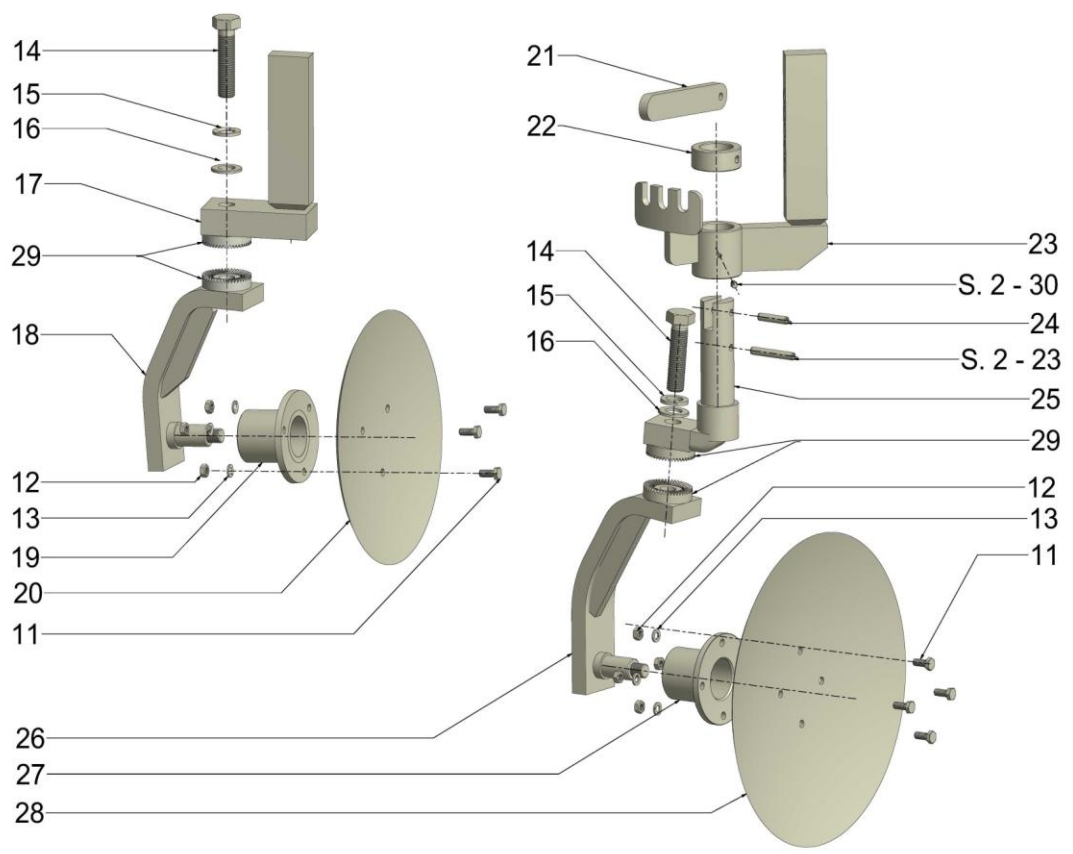
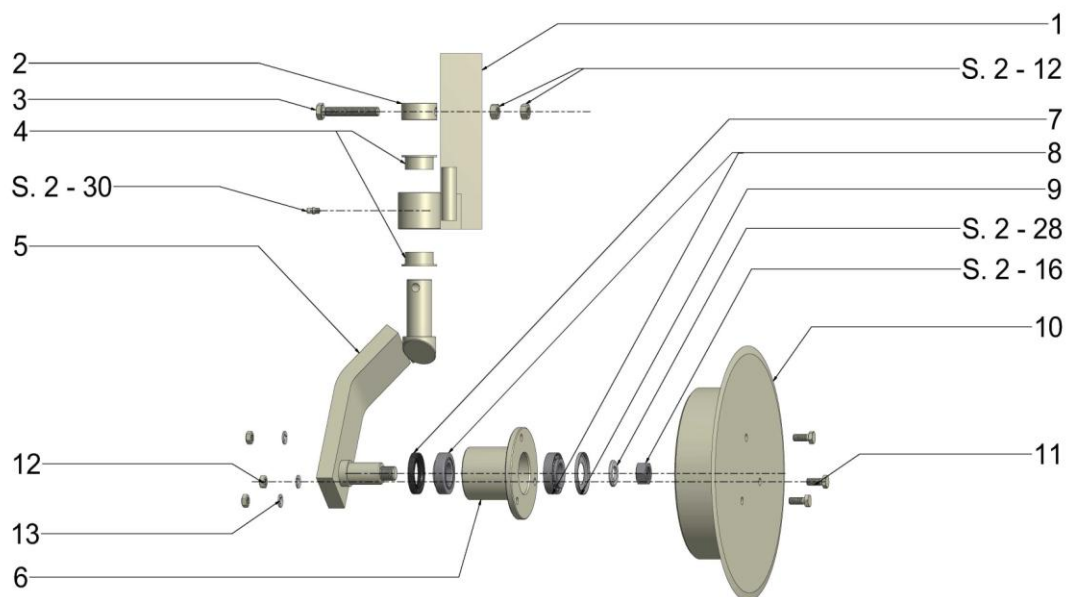
Spare parts list - LUV "Perfekt"

Fig.	Item No.	Description	Notes
	(01205) (01206)	Precise vertical lift EW (single acting) 500 mm R/H Precise vertical lift EW (single acting) 500 mm L/H	
	(01207) (01208)	Precise vertical lift EW (single acting) R/H Precise vertical lift EW (single acting) L/H	
	(01209) (01210)	Precise vertical lift DW (double acting) 500 mm R/H Precise vertical lift DW (double acting) 500 mm L/H	
1	001144 (0011441)	Outer lift assy. (R/H Precision fit) Outer lift assy. (L/H Precision fit)	
2	001147 (0011471)	Inner lift assy. (R/H Precision fit) Zn Inner lift assy. (L/H Precision fit) Zn	
3	534455370 (534404870)	Wiper seal 45x53x7 Wiper seal 40x48x7	
4	2075215	Retaining clip 52x1,5	
5	001132	Depth limiting Spindle	
6	700255002 (52700251) (735205002) (700254002) (5270025)	Single acting cylinder 500 mm stroke (complete) Complete sealing kit for 25x500mm cylinders Double acting cylinder 500 mm stroke (complete) Single acting cylinder 400 mm stroke (complete) Complete sealing kit for 25x400mm cylinders	
7	50101011	Elbow union WEV 10L M14x1,5	
8	540301012081000 (540301012081500) (540301012082000)	Hydraulic tube g/g m/m L 10/12 NW8x1000 # 122 Hydraulic tube g/g m/m L 10/12 NW8x1500 # 122 Hydraulic tube g/g m/m L 10/12 NW8x2000 # 122	
9	631690	Connecting pin 16x90	
10	631675	Connecting pin 16x75	
11	92665000 (92524800)	Return spring 500 mm Return spring 6x66x400	
12	44455050 (44404450)	Bush 4555-50 Bush 4044-50 (old v.)	
13	510118	Female snap coupling M18x1,5	
14	510318	male snap coupling M18x1,5	



Spare parts list - LUV "Perfekt"

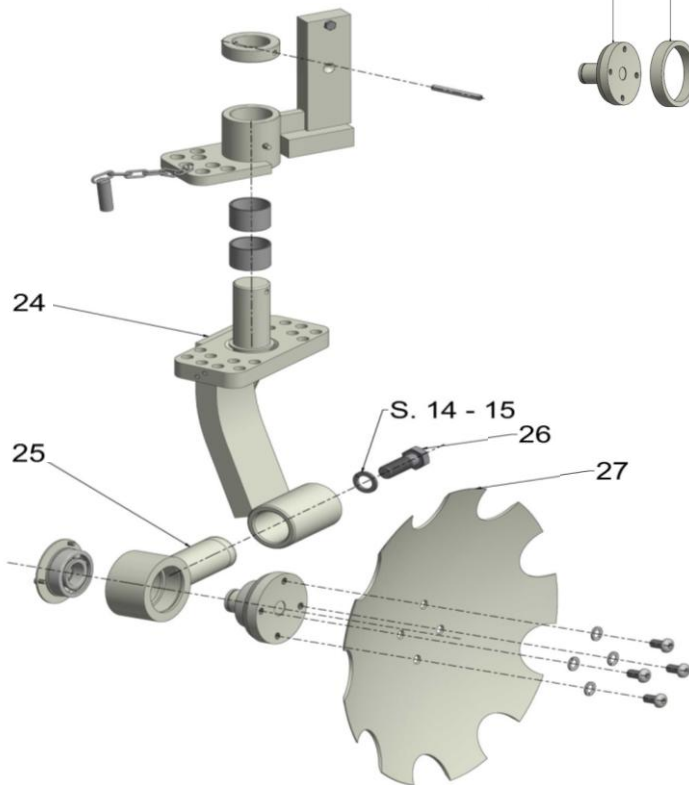
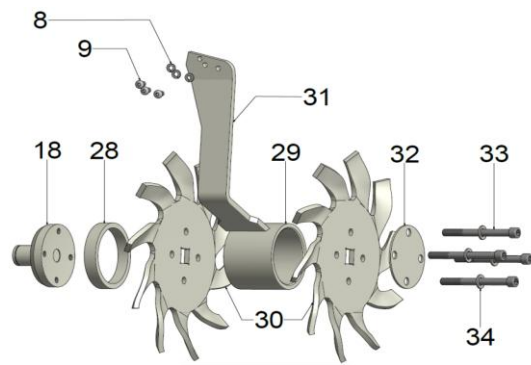
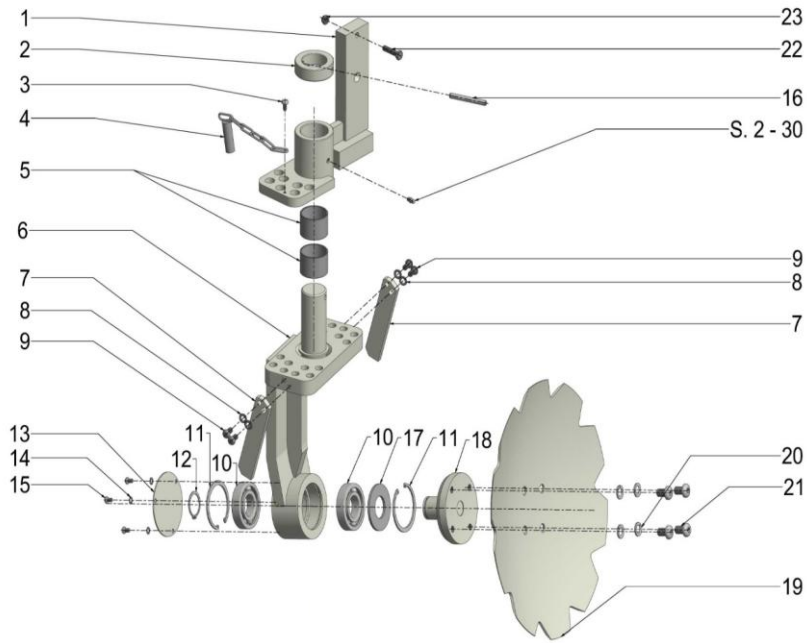
Fig.	Item No.	Description	Notes
	(01216) (01217) (01218) (01219) (01220) (01221)	Precise vertical lift EW (single acting) R/H Precise vertical lift EW (single acting) L/H Vertical lifting fixture with inclination and return spring R/H Vertical lifting fixture with inclination and return spring L/H Vertical liftung with inclination fixture R/H double acting Vertical liftung with inclination fixture L/H double acting	
1	00121601 (00121602)	Outer lift assy. (R/H Precision fit) Outer lift assy. (L/H Precision fit)	
2	00121603 (00121604)	Tilting lever for outer lift assy with inclination R/H Outer Lift Assy. (R/H Precision fit)	
3	75025802	Cylinder 50/25 x 80 stroke	
4	452023	Collar bush 20x23x21,5	
5	0012160106	Short pin for cylinder of vertical lifting fixture with inclination	
6	0012160107	Long pin for cylinder of vertical lifting fixture with inclination	
7	00121406	Lock ring for vertical lifting fixture with inclination	
8	62127000	Spiral roll pin M12x70 bl	
9	44505560	Bush 505560 for hydraulic side slope adjustment	
	(01212) (01213) (01214) (01215)	Universal fixture PA R/H with mechanically adjustable inclination Universal fixture PA L/H with mechanically adjustable inclination universal fixture PA, R/H with hydraulically adjustable inclination universel fixture PA, L/H with hydraulically adjustable inclination	
10	00121401 (00121501)	Base frame for PA-fixture R/H Base frame for PA-fixture L/H	
11	00121403	Trunnion with locking plate for PA-fixture	
12	00121404 (00121504)	Tilting arm assy. for PA-fixture R/H Tilting arm assy. for PA-fixture L/H	
13	00121405 (00121505)	Swiveling arm for PA-fixture R/H Swiveling arm for PA-fixture L/H	
14	00121407 (00121507)	Trunnion with square socket for PA-fixture R/H Trunnion with square socket for PA-fixture L/H	
15	0012160104	square shaft for tool adaption	
16	1022018001	hexagon bolt 8.8 M20x180 Zn	
17	102208001	hexagon bolt 8.8 M20x80 Zn	
18	20310111	Spring washer M10 Zn	
19	404050	Bush 40-44-50	
20	4040501	Bush DU 40-44-25	
21	740201202	Cylinder 40/20x120 stroke	
22	405060 (00121201) (00121202)	Bush DU 50-55-60 Socket pipe for inclination bar for mechanically adjustable inclination Socket pipe for mechanically adjustable inclination	



Die Lageranordnung der Scheibenplüge ist identisch zur Lagerung der Scheibenseche.

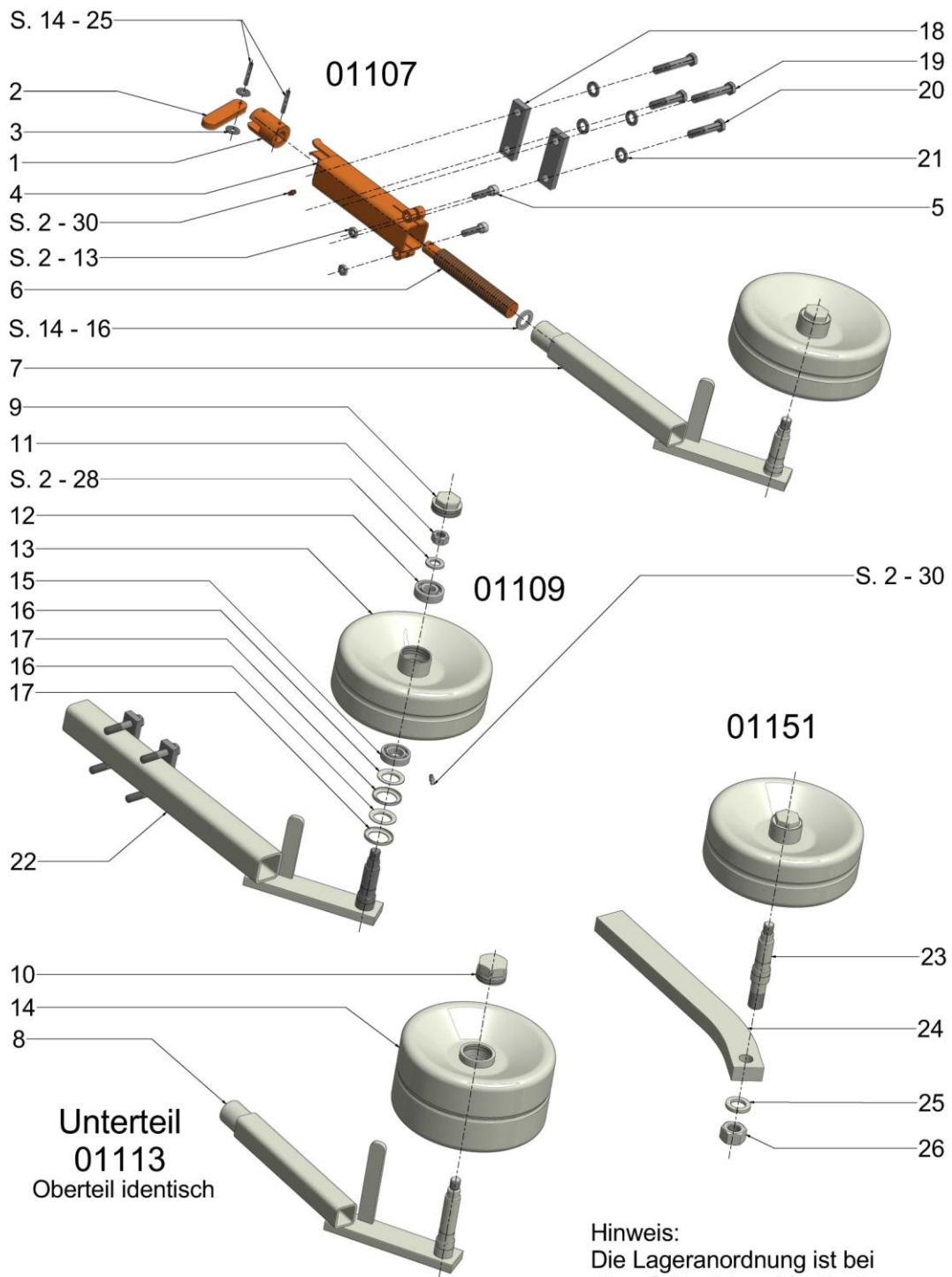
Spare parts list - LUV "Perfekt"

Fig.	Item No.	Description	Notes
	(01115) (01116)	depth limiting disc ø 300 mm R/H Depth limiting disc L/H	
1	001148 (0011481)	Depth Limiting Disc mount R/H Depth Limiting Disc mount L/H	
2	001151	Retaining ring	
3	102107000	Bolt 8.8 M10x70 bl	
4	413016	Bush 3016 DU	
5	001153 (0011531)	Disc carrier R/H Disc carrier L/H	
6	001154	Hub (Depth Limiting Disc)	
7	536304770	Inner Seal 47x30x7	
8	323200510	Tapared Roller Bearing 32005 X	
9	537320051	Outer seal 32005 XAV	
10	914300	Depth Limiting Disc	
11	101082021	Hexagon screw 10,9 M8x20 ZN	
12	15008121	Nut 10.9 M8 1/1 Zn	
13	20308111	circlip M8 Zn	
	(01117) (01118)	disc ploughshare ø 300 mm R/H disc ploughshare ø 300 mm L/H	
	(01119) (01120)	disc ploughshare ø 350 mm R/H disc ploughshare ø 350 mm L/H	
14	102208020	hexagon screw nut 10.9 M20x80 bl	
15	20320111	spring ring M20 Zn	
16	201201	Washer M 20 Zn	
17	001165 (0011651)	Disc mount, 300 mm R/H Disc mount, 300 mm L/H	
18	001166	Disc carrier, 300 mm	
19	001167	Hub (300 mm Disc) Weld on shaft	
20	913300	curved disc, ø 300 mm	
	(01122) (01121)	clearing disc ø 350 mm L/H clearing disc ø 350 mm R/H	
21	001169	Handle	
22	00112107	Locking slug for disc harrow	
23	001172 (0011721)	Disc mount upper part, 350 mm R/H quick adjustment, upper part 350 mm L/H	
24	62084000	Roll spin M8x40 bl	
25	001174 (0011741)	quick adjustment, bottom part R/H quick adjustment, bottom part L/H	
26	001175	Disc carrier, 350 mm	
27	001176	Hub (350 mm Disc)	
28	913350	curved disc 350mm	
	206024	tooth desk for disc plough	



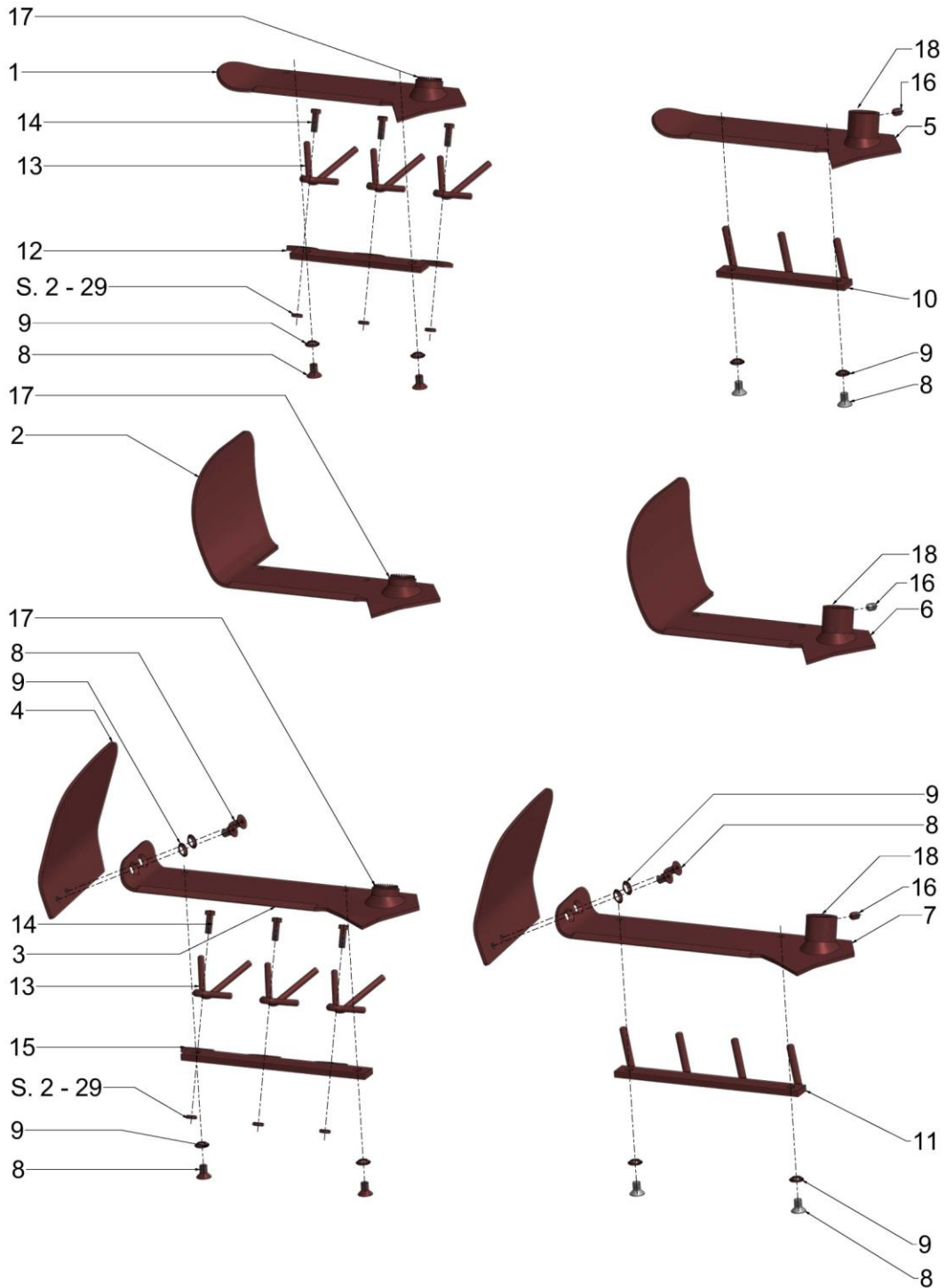
Spare parts list - LUV "Perfekt"

Fig.	Item No.	Description	Notes
	(01168) (01170)	disc plough 400mm with hole pattern adjustment Disc plough Ø 460mm with hole pattern	
1	00117001	upper part for big cultivator	
2	0011700106	lock ring for disc	
3	148061291	cup screw M6x12 Zn	
4	0011700108	chain with bolt	
5	404535	Graphite Bush 455035 DU	
6	00116802	bottom part for big discs 400mm	
7	0011700403	Deflector	
8	20308101	circlip M8 Zn	
9	147081621	oval-head screw	
10	30620720	groove ball bearing 6207 2RS NB	
11	210720	Circlip I72	
12	210350	Circlip A35	
13	0011700405	mounting cover disc	
14	20506101	tooth disc A6 Zn	
15	147061020	oval-head bolt 10.9 M6x10 bl	
16	62087000	spring ring M8x70 bl	
17	53735724	sealing ring 3572LSTO	
18	00117010	Hub for disc	
19	9134001	Disc, 400 mm	
20	20312111	circlip M12 Zn	
21	147122020	oval-head-screw 10.9 M12x20 bl	
22	101083501	Hexagon bolt 8.8 M8x35 Zn	
23	15108001	self-locking nut 8.8 M8 Zn	
	(011681) (0116811) (011701) (0117011)	disc plough Ø 400mm R/H with hole pattern adjustment disc plough Ø 400mm L/H with hole pattern adjustment Disc plough Ø 460mm R/H with hole pattern Disc plough Ø 460mm L/H with hole pattern	
24	001168101 (0011681101)	bottom part for big discs 400mm R/H bottom part for big discs 400mm L/H	
25	001168102	axle	
26	102206001	Hexagon bolt 8.8 M20x60 Zn	
27	91346018	disc ridged 460mm	
28	00117403	Distance piece flange 20mm	
29	00117404	Distance piece discs 90mm	
30	91540017 (915400171)	Wheel of rotary star tiller R/H Wheel of rotary star tiller L/H	
31	00117406 (001174061)	wiper for disc ploughshare, right wiper for disc ploughshare, right	
32	00117405	Cover plate for rotary star tiller	
33	1071214040	Cylinder head bolt 12.9 M12x140 bl	
34	20312101	Circlip M12 Zn	



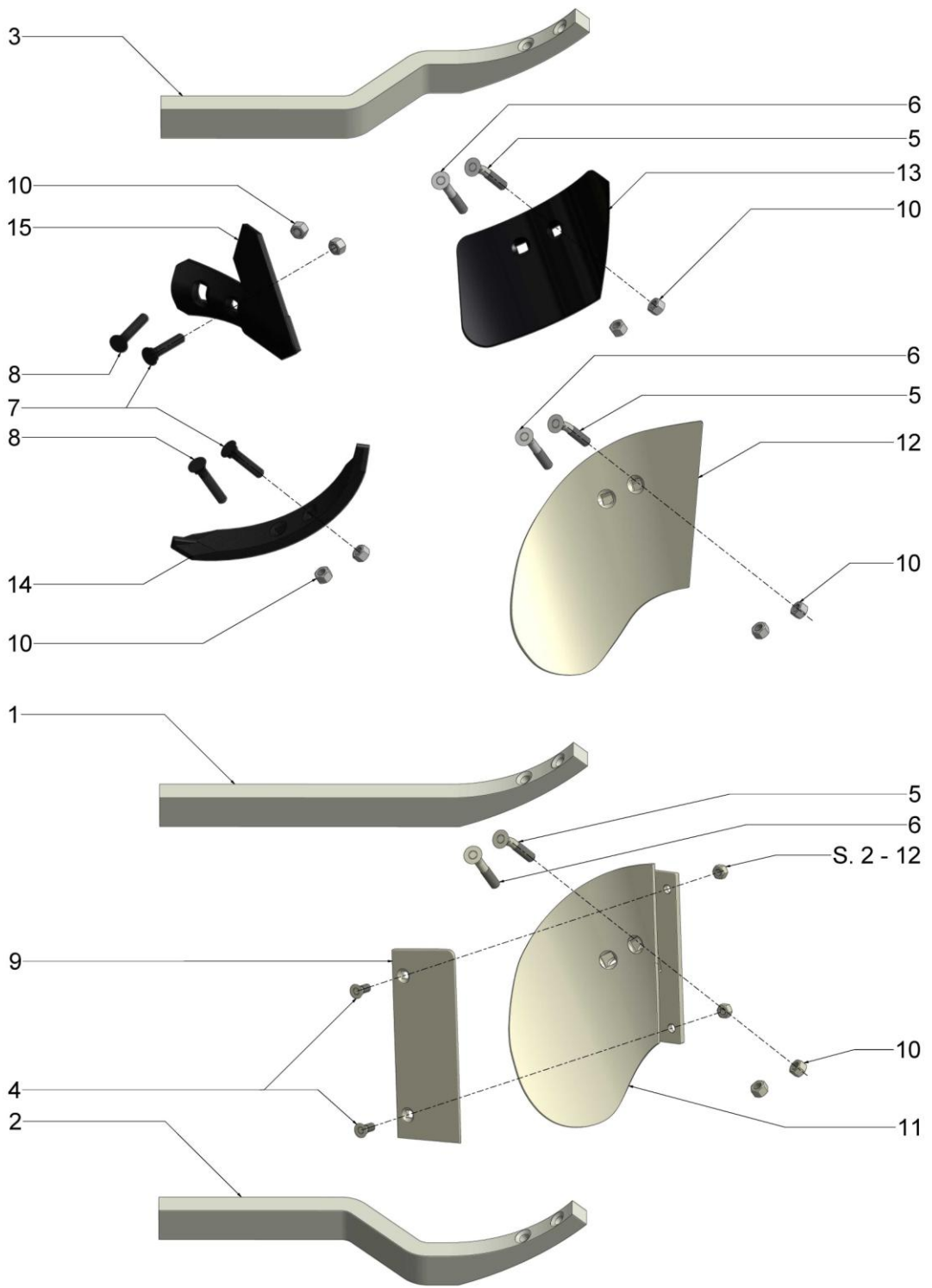
Spare parts list - LUV "Perfekt"

Fig.	Item No.	Description	Notes
	(01107) (01108) (01113) (01114)	height wheel R/H height wheel L/H supporting wheel stem adjustable R/H Supporting wheel, stem adjustable L/H	
1	0041180101	crank head 40x60mm	
2	001182	Handle	
3	206230810	Disc spring 23x8,2x0,8	
4	001185	Spindle carrier	
5	106104001	Allen bolts 8,8 M10x40 Zn	
6	001188	Spindle	
7	001189 (0011891)	Depth wheel carrier R/H Depth wheel carrier L/H	
8	0011894 (0011895)	Depth wheel carrier R/H Depth wheel carrier R/H	
9	911260801	Dust cap	
10	0071301504	dust cap	
11	15116001	self-locking nut 8.8 M16 1/1 Zn	
12	3062041	ball bearing 6204	
13	91125095		
14	0071301501	Depth wheel	
15	3060051	ball bearing 6005	
16	0071301505	blocking	
17	0071301506	blocking	
18	001181	Mounting brackets	
19	102128001	Bolt 8.8 M12x80 Zn	
20	102126501	hexagon bolt 8.8 M12x65 Zn	
21	20312101	Circlip M12 Zn	
	(01109) (01110)	Supporting wheel R/H Supporting wheel L/H	
22	0011892 (0011893)	Depth wheel carrier R/H Depth wheel carrier L/H	
	(01151) (01152)	height wheel with airtire R/H height wheel with airtire L/H	
23	0011070102	axis for supporting wheel	
24	0011896	Depth wheel carrier R/H	
25	20324111	circlip M24 Zn	
26	15024101	hexagonal nut 8.8 M24 1/1 Zn	



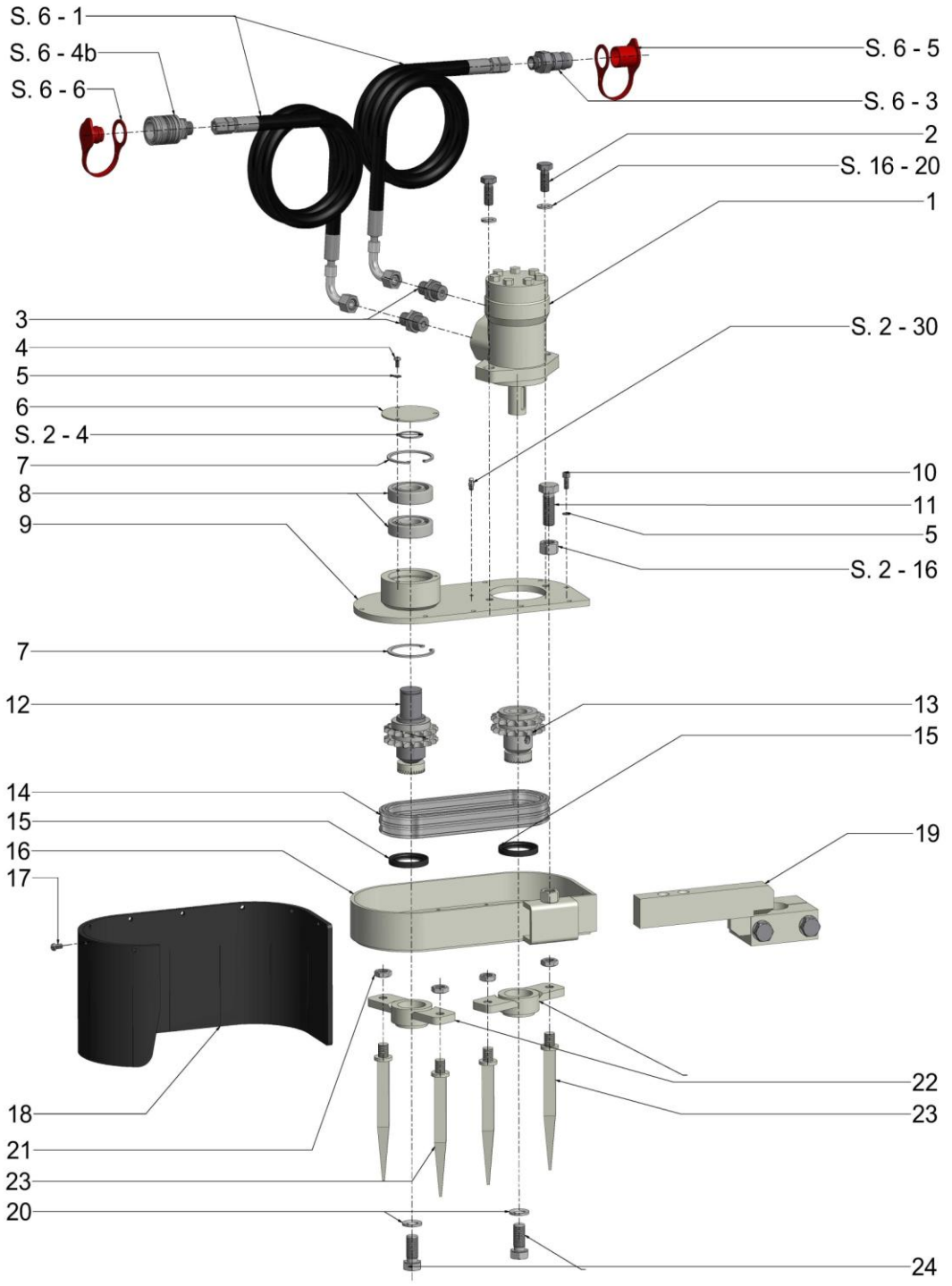
Spare parts list - LUV "Perfekt"

Fig.	Item No.	Description	Notes
1	0012151 (00121511)	Standard knife 350 mm R/H, toothed Standard knife 350 mm L/H, toothed	
2	01146 (01147)	Pull out knife 350 mm R/H, toothed Pull out knife 350 mm, toothed	
3	001211301 (001211311)	Extension knife 500 mm R/H, toothed Extension knife 500 mm L/H, toothed	
4	001208 (0012081)	Extension wing R/H Extension wing L/H	
5	0012212 (00122121)	Standard knife 350 mm R/H, splined Standard knife 350 mm L/H, splined	
6	0012162 (00121621)	Pull out knife 350 mm R/H, splined Pull out knife 350 mm L/H, splined	
7	001218401 (001218411)	Extension knife 500 mm R/H, splined Extension knife 500 mm L/H, splined	
8	139122000	Counter sunk Bolt 8.8 M12x20 bl	
9	20512121	Shakeproof washer V12 Zn	
10	001220 (0012201)	Separator 350 mm R/H Separator 350 mm L/H	
11	001217 (0012171)	Separator 500 mm R/H Separator 500 mm L/H	
	(01150)	vibra curry comb 350mm	
12	001214	Separator attachment assy	
13	001212	Separators	
14	109102500	Bolt 8.8 M10x25 bl	
	(01167) (011671)	vibra curry comb 500mm R/H vibra curry comb 500mm L/H	
15	0012141 (0012142)	Separator attachment assy R/H Separator attachment assy L/H	
16	126122500	Grub screw 8.8 M12x25 bl	
17	208012 (208013)	Tooth desk for washer - lower Pair of Crown plates convex-concav	
18	990001	bush 1 3/8" Z21	



Spare parts list - LUV "Perfekt"

Fig.	Item No.	Description	Notes
1	01125	rigid leg straight	
2	01126	rigid leg offset R/H	
3	01127	rigid leg offset L/H	
4	115102500	Counter sunk bolt 8.8 M10x25 bl	
5	118126000	Counter sunk bolt 8.8 M12x60 bl	
6	118127000 (118128000)	Counter sunk bolt 8.8 M12x70 bl Counter sunk bolt 8.8 M12x80 bl	
7	116126000 (116127000)	Counter sunk bolt 8.8 M12x60 bl Counter sunk bolt 8.8 M12x70 bl	
8	116128000	Counter sunk bolt 8.8 M12x80 bl	
9	001198 (0011981)	knife for plough share R/H knife for plough share L/H	
10	15112101	hexagonal screw nut 8.8 M 12 1/1 Zn	
11	001196 (0011961)	Gouging tool Large R/H Gouging tool Large L/H	
12	01142 (01143)	Gouging tool Medium R/H Gouging tool Medium L/H	
13	01144 (01145)	Gouging tool Small R/H Gouging tool Small L/H	
14	04128	Straight shear 16x40x300	
15	01148 (01149)	Half shear R/H Half shear L/H	



Spare parts list - LUV "Perfekt"

Fig.	Item No.	Description	Notes
	(01153) (01154)	Rotary tiller R/H Rotary tiller L/H	
1	58024019 (58025019)	Hydraulic Motor OMP 40 Hydraulik Motor OMP 50	
2	101123001	Hexagon screw 8.8 M12x30 Zn	
3	50061271	Hydraulic nipples 1/2" GEV 12L R 1/2"	
4	147051091	screw 4.8 M5x10 Zn	
5	20506101	tooth disc A6 Zn	
6	001250	cap	
7	210620	Circlip I62	
8	3062062	Bearing 6206 2RS	
9	001251 (0012511)	gearing Cover R/H Gearing Cover L/H	
10	106061601	Bolt 8.8 M 6 x 16 Zn	
11	103164501	hexagonal bolt M16 x 45 Zn	
12	001264	Out put, shaft	
13	001265	Input shaft	
14	001261	Duplex chain	
15	536405587	Seal 40 x 55 x 8/7	
16	001252 (0012521)	Housing R/H Housing L/H	
17	148061291	cup screw M6x12 Zn	
18	001270 (0012701)	protection agains dust for rotary tiller R/H protection agains dust for rotary tiller L/H	
19	001256 (0012561) (0012562) (00125621)	Mounting tube for rotary tiller complete R/H Mounting tube for rotary tiller complete L/H Mounting tube for rotary tiller complete R/H Mounting tube for rotary tiller complete L/H	
20	20316111	spring ring M16 Zn	
21	15014091	hexagon nut 4.6 M14 1/2 Zn	
22	001267	Tiller spike holder	
23	001268	Tiller spike	
24	101163501	Bolt 8.8 M 16 x 35 Zn	



Australian Distributor

**AUSTRALIAN AGRICULTURE & VITICULTURE
SUPPLIES**

ph: 08 8326 0848

email: salesteam@aavsupplies.com.au

address: 40A O'Sullivan Beach Rd, Lonsdale, SA 5160

Web: www.aavsupplies.com.au

