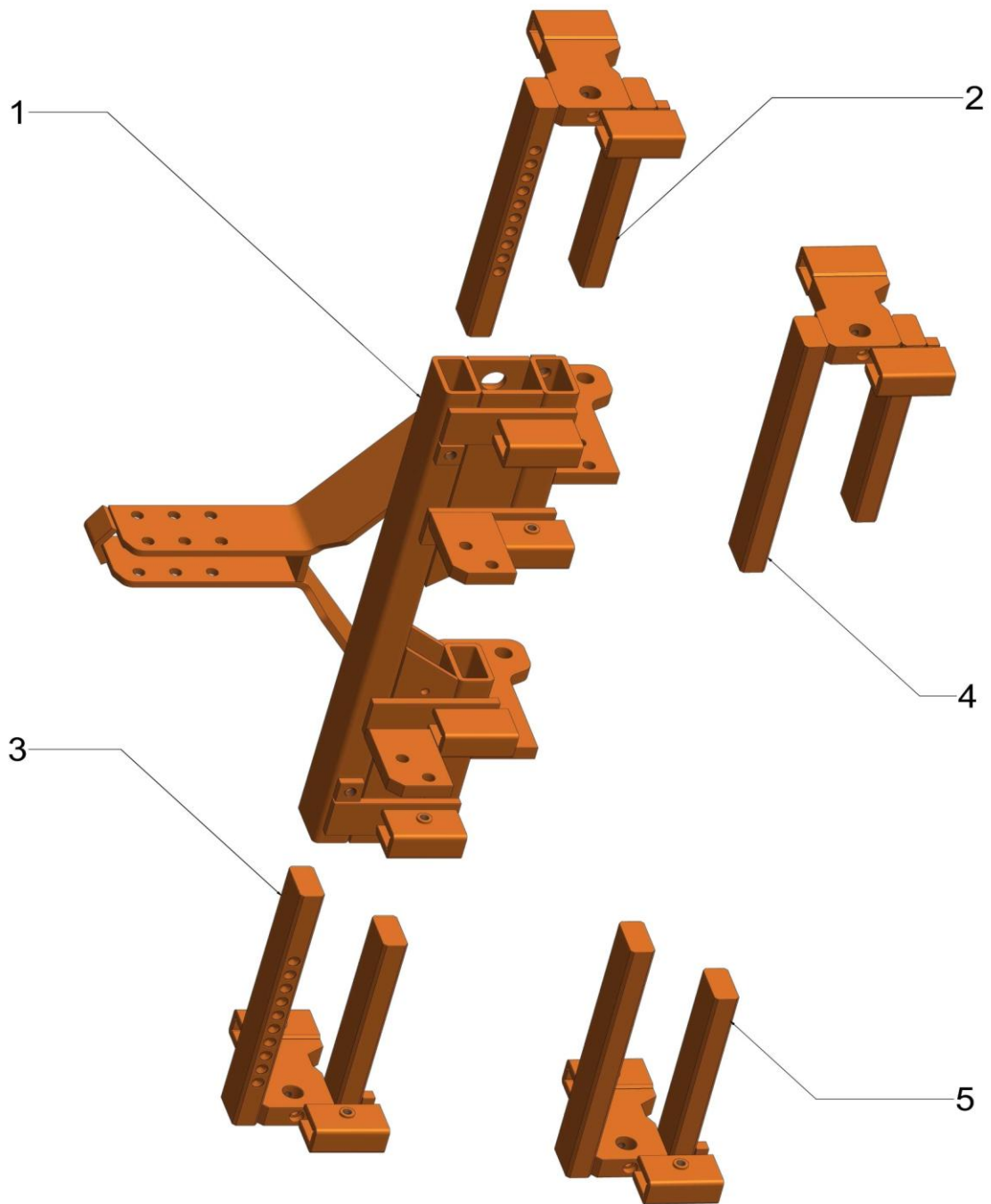




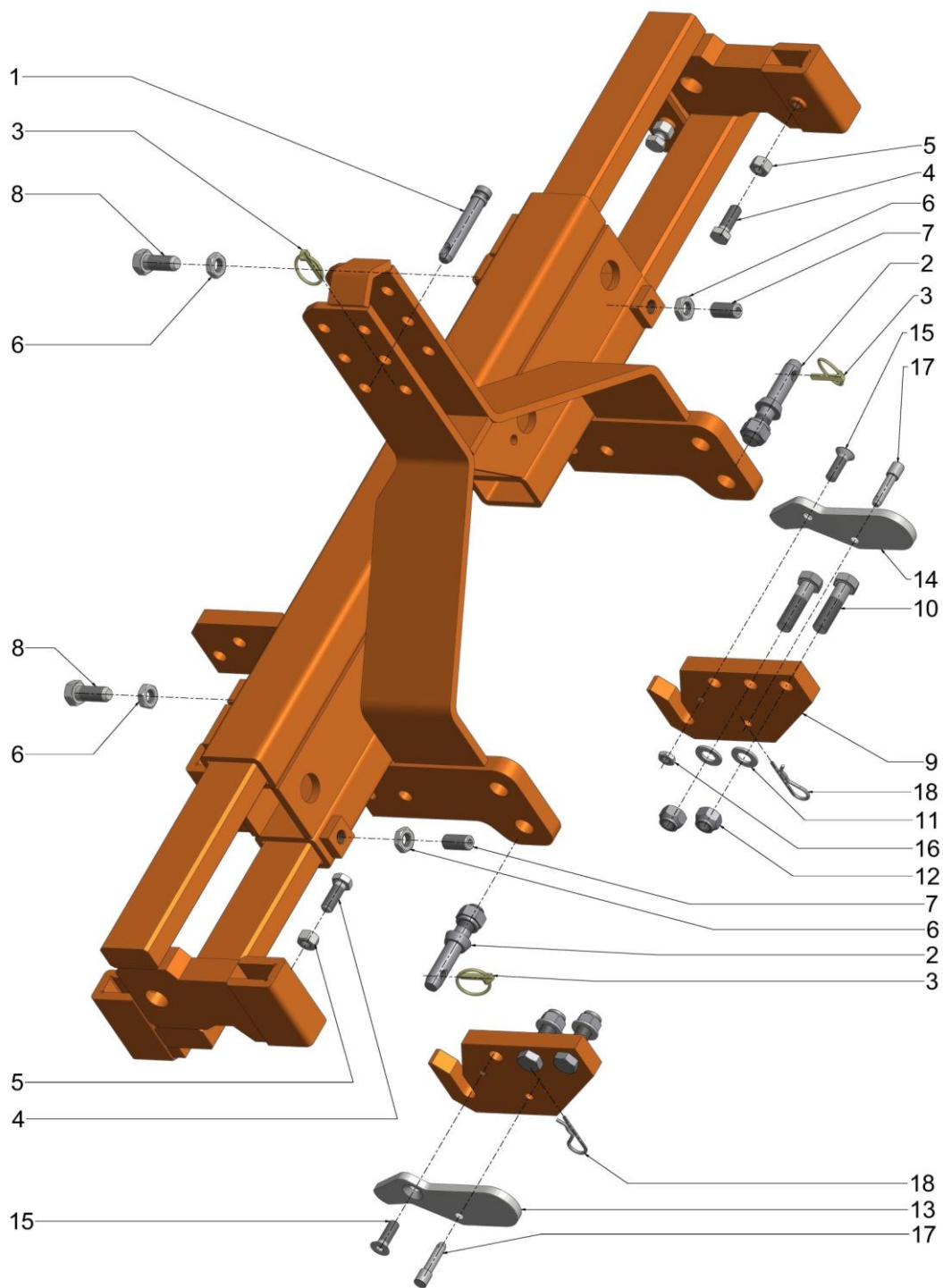
Braun Cultivator Spare Parts List

Made in Germany



Spare parts list - Cultivator

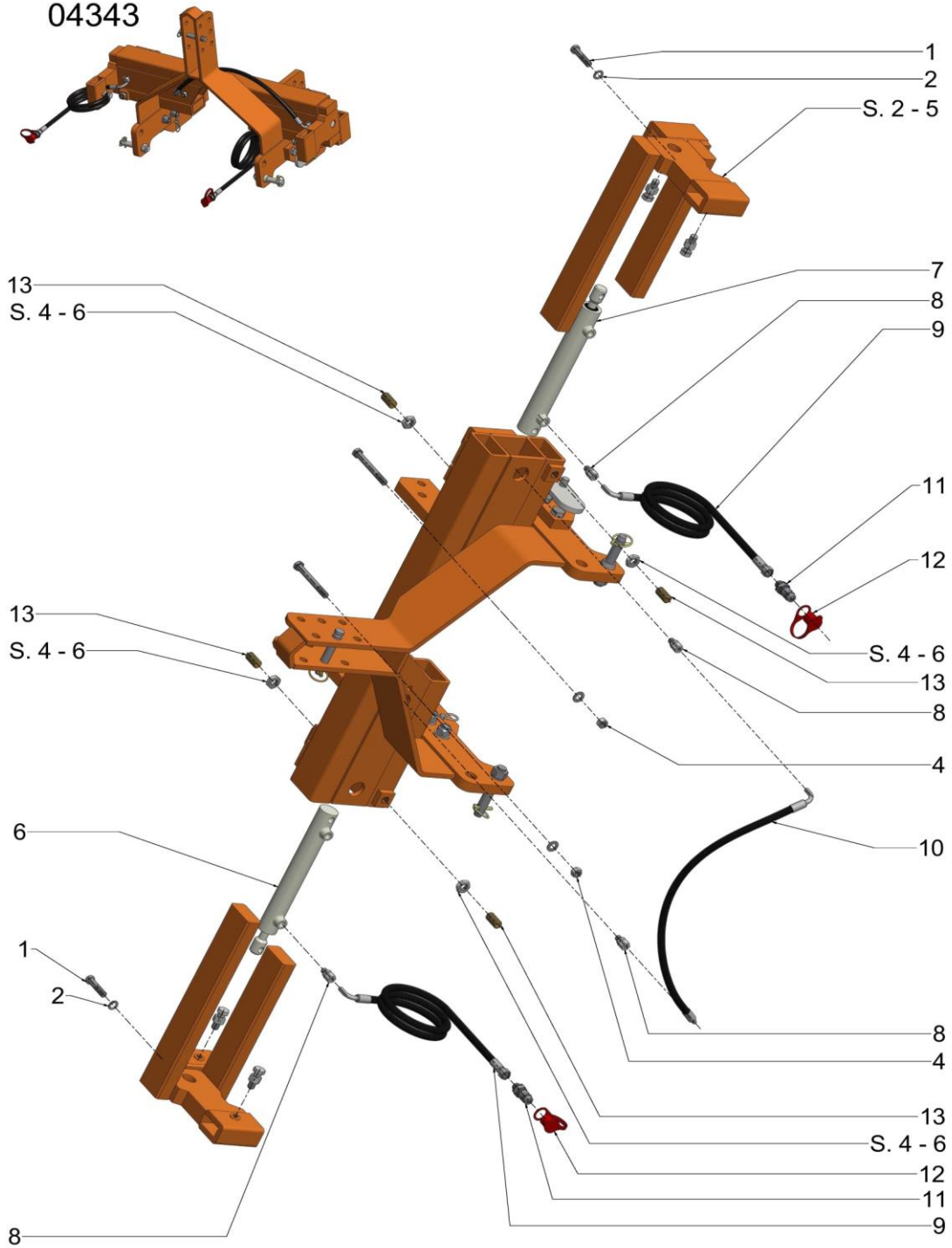
Fig.	Item No.	Description	Notes
1	(04300)	Cultivator frame M Z 4 BV 800-1.200 mm	
	(04302)	Cultivator frame M Z 4 BV 900-1.300 mm	
	(04340)	Cultivator frame M Z 4 BV 1.000-1.400 mm	
	(04342)	Cultivator frame M Z 4 BV 1.100-1.600 mm	
	(04304)	Cultivator frame M Z 6 BV 1.250-1.750mm	
	(04382)	Cultivator frame MZ 8 BV work width 1.500 - 2.000 mm	
	(04344)	Cultivator frame M Z 8 B V 1.700-2.200mm	
	(04370)	Cultivator frame M Z 10 BV working width 2.200-2.700mm	
	(04372)	Cultivator frame M Z 10 BV working width 2.700-3.300mm	
	(04301)	Cultivator frame H Z 4 BV 800-1.200 mm	
	(04303)	Cultivator frame H Z 4 BV 900-1.300 mm	
	(04305)	Cultivator frame HZ 6 BV 1250mm - 1750mm	
	(04341)	Cultivator frame HZ 4 BV 1.000 -1.400mm	
	(04343)	Cultivator frame HZ 4 BV 1.100 - 1.600 mm	
(04383)	Cultivator frame HZ 8 BV work width 1.500 - 2.000 mm		
(04345)	Cultivator frame HZ 8 BV work width 1.700 - 2.200 mm		
(04371)	Cultivator frame HZ 10 BV working width 2200-2700mm		
(04373)	Cultivator frame H Z 10 BV working width 2.700-3.300 mm		
2	(00430001)	middle part 800-1.200mm	
	(00430201)	middle part 900-1.300mm	
	(00434001)	middle part 1.000-1.400mm	
	00434201	middle part 1.100-1.600mm	
	(00430401)	middle part 1.250-1.750mm	
	(00438201)	middle part 1.500-2.000mm	
	(00434401)	middle part 1.700-2.200mm	
	(00437001)	middle part 2.200-2.700mm	
(00437201)	middle part 2.700-3.300mm		
3	(00430002)	Slide, right, for 04300, tapped	
	(00430202)	Slide, right, for 04302 and 04340, tapped	
	(00434002)	Slide, right, for 04340, tapped	
	00434202	Slide, right, for 04342 and 04304, tapped	
	(00430402)	Slide, right, for 04304, tapped	
	(00438202)	Slide, right, for 04382, tapped	
	(00434402)	Slide, right, for 04344, tapped	
	(00437002)	Slide, right, for 04370 and 04372, tapped	
(00437302)	forked sleeve right 04373		
4	(004300021)	Slide, left, for 04300, tapped	
	(004302021)	Slide, left, for 04302 and 04340, tapped	
	(004340021)	Slide, left, for 04340, tapped	
	004342021	Slide, left, for 04342 and 04304, tapped	
	(004304021)	Slide, left, for 04304, tapped	
	(004382021)	Slide, left, for 04382, tapped	
	(004344021)	Slide, left, for 04344, tapped	
	(004370021)	Slide, left, for 04370 and 04372, tapped	
(004373021)	forked sleeve left 04373		
5	(00430102)	Slide, right, for 04301, not tapped	
	(00430302)	forked sleeve right 04303 und 04341	
	(00434102)	forked sleeve right 04341	
	00434302	forked sleeve right 04343 und 04305	
	(00434102)	forked sleeve right 04341	
	(00438302)	forked sleeve right 04383	
	(00434502)	forked sleeve right 04345	
	(00437102)	forked sleeve right 04371 und 04373	
00437302	forked sleeve right 04373		
6	(004301021)	forked sleeve left	
	(004303021)	forked sleeve left 04303 und 04341	
	(004341021)	forked sleeve left 04341	
	004343021	forked sleeve left 04343 und 04305	
	(004341021)	forked sleeve left 04341	
	(004383021)	forked sleeve left 04383	
	(004345021)	forked sleeve left 04345	
	(004371021)	forked sleeve left 04371 und 04373	
004373021	forked sleeve left 04373		
7	(004301021)	forked sleeve left	
	(004303021)	forked sleeve left 04303 und 04341	
	(004341021)	forked sleeve left 04341	
	004343021	forked sleeve left 04343 und 04305	
	(004341021)	forked sleeve left 04341	
	(004383021)	forked sleeve left 04383	
	(004345021)	forked sleeve left 04345	
	(004371021)	forked sleeve left 04371 und 04373	
004373021	forked sleeve left 04373		



Spare parts list - Cultivator

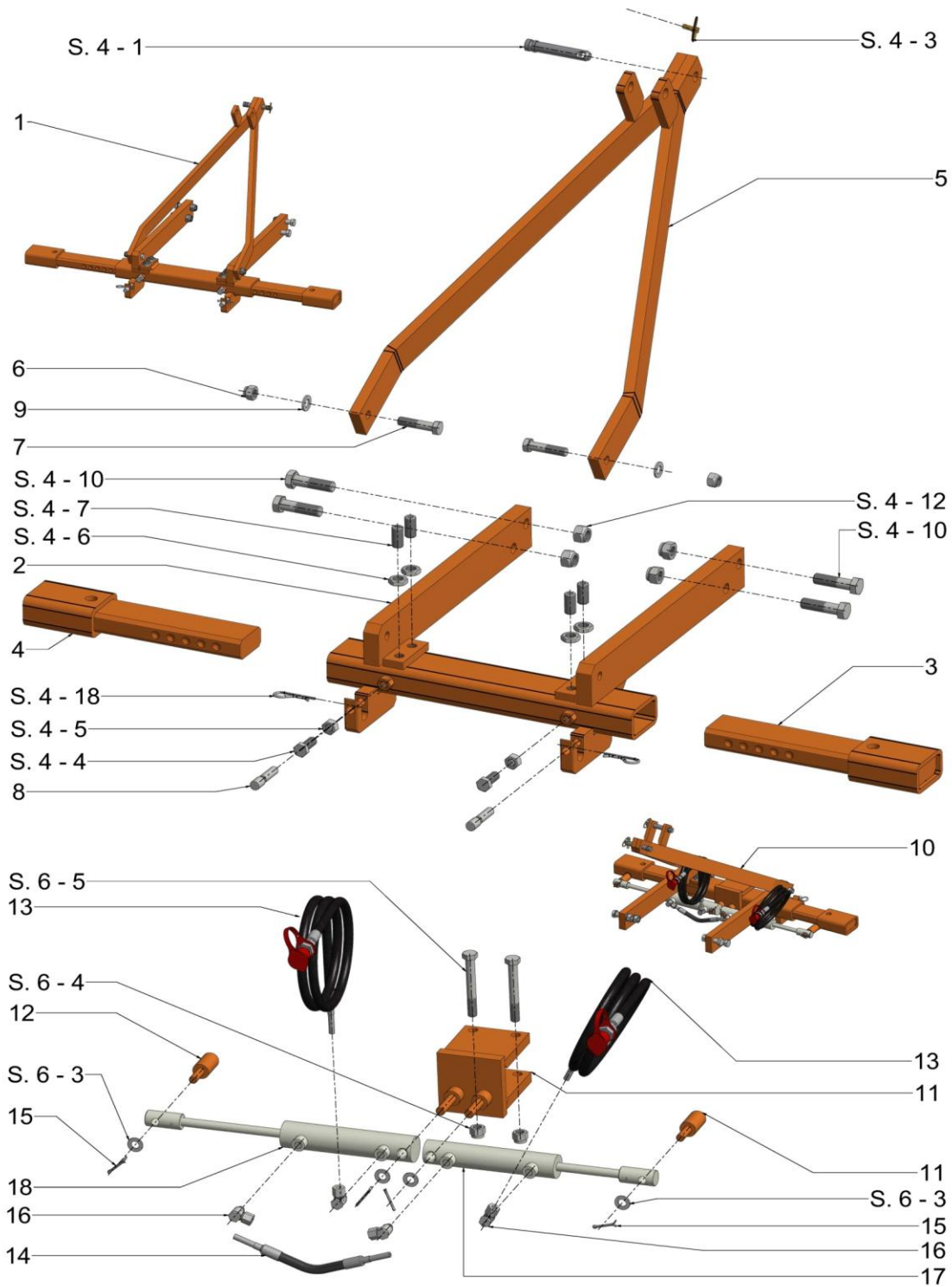
Fig.	Item No.	Description	Notes
1	00430314 (004303141)	bolt KAT 1 bolt KAT 2	
2	00430315 (004303151)	lower link bolt Kat 1 lower link bolt Kat 2	
3	690801	cotter-pin M8 Zn	
4	101164543	hexagonal bolt 12.9 M16x45 GEO	
5	15016101	Hexagon nut 8.8 M16 1/1 Zn	
6	150200911	hexagon screw nut 04 M20 1/2 Zn	
7	127204001	headless screw M20x40 Zn	
8	101205001	hexagonal bolt 8.8 M20x50 Zn	
	(0043033) (00430331) (0043053) (00430531)	feeder plate for devices complete Kat 1 right feeder plate for devices complete Kat 1 left feeder plate for devices complete Kat 2 right feeder plate for devices complete Kat 2 left	
9	00430307 (00430507)	feeder plate for devices Kat 1 feeder plate for devices Kat 2	
10	102207501	hexagon bolt 8.8 M20x75 Zn	
11	201201	Washer M 20 Zn	
12	15120101	self-locking nut 8.8 M20 Zn	
13	00430308	catcher right	
14	004303081	catcher left	
15	139144501	counter sunk bolt 8.8 M14 x 45 Zn	
16	15014091	hexagon nut 4.6 M14 1/2 Zn	
17	9501191270	bolt for feeder plate	
18	6404011	spring connector ST ZN 4	
19	00430316	bolt KAT 1/2	

04343



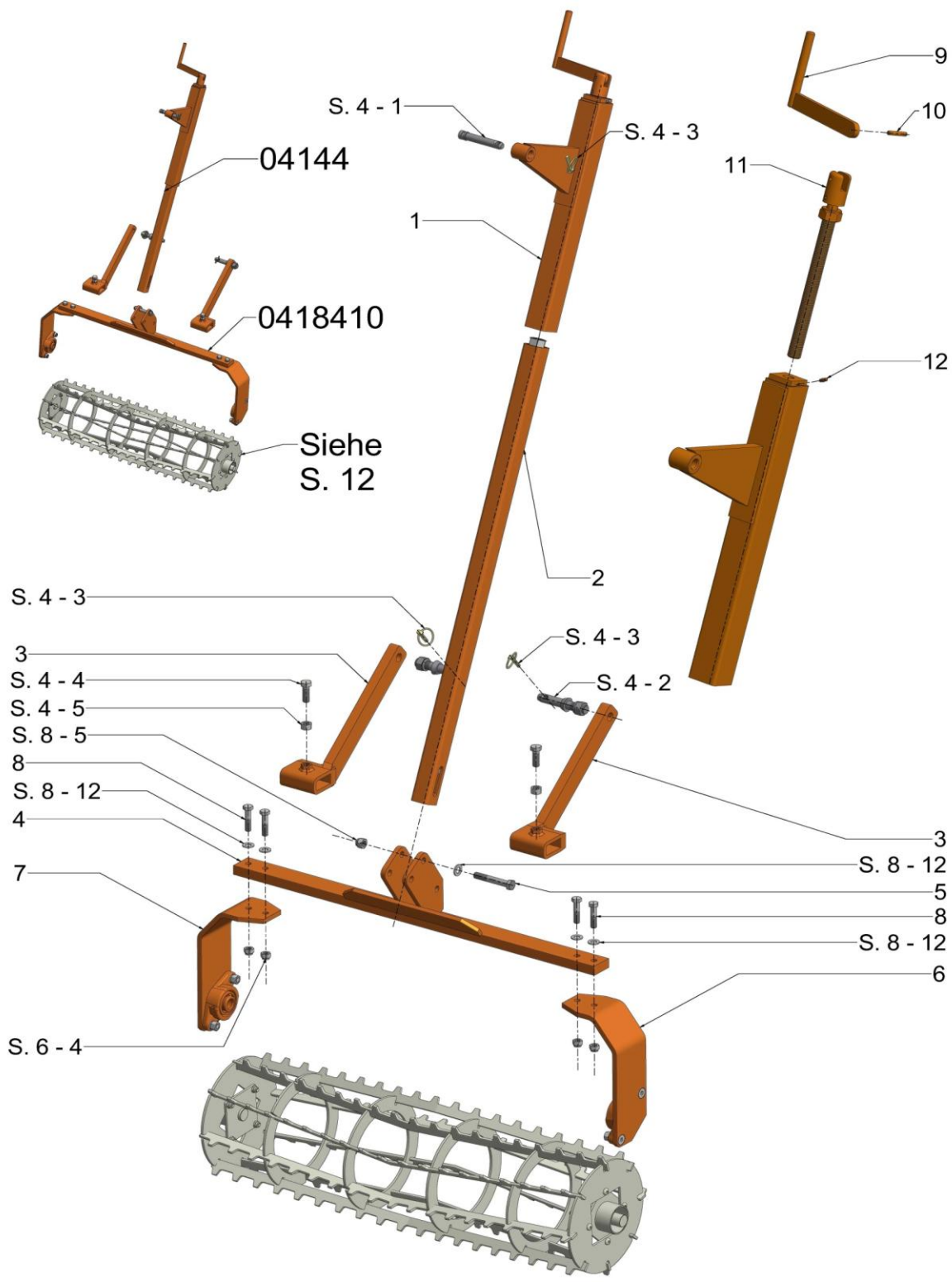
Spare parts list - Cultivator

Fig.	Item No.	Description	Notes
1	108146001	Socket head bolt 8.8 M14x60 Zn, no shank, low head height	
2	2031401	circlip M14 Zn	
3	2011501	U-washer M14 Zn	
4	15114101	self-locking nut 8.8 NM 14 Zn	
5	1021412001	hexagon bolt 8.8 M14x120 Zn	
6	735182505	hydraulic cylinder 18x250 Hub	
	(735182005)	hydraulic cylinder 18x200 Hub	
	(735183005)	hydraulic cylinder 18x300 Hub	
7	740202505	hydraulic cylinder 20x250 Hub	
	(740202005)	hydraulic cylinder 20x200 Hub	
	(740203005)	hydraulic cylinder 20x300 Hub	
8	50051011	straight screw connect GEV 10L M 14x1,5 Zn	
9	540611210081500	hydro pipe g/90 m/o S 12/10 NW8x1500	
	(540611210082000)	hydro pipe g/90 m/o S 12/10 NW8x2000	
10	5412010080850	hydro tube 90/90 o/o L 10/10 NW8x850	
	(5412010080600)	hydro tube 90/90 o/o L 10/10 NW8x600	
	(5412010080700)	hydro tube 90/90 o/o L 10/10 NW8x700	
	(5412010081100)	hydro tube 90/90 o/o L 10/10 NW8x1100	
	(5412010081200)	hydro tube 90/90 o/o L 10/10 NW8x1200	
	(5412010081500)	hydro tube 90/90 o/o L 10/10 NW8x1500	
	(5412010081800)	hydro tube 90/90 o/o L 10/10 NW8x1800	
	(5412010082000)	hydro tube 90/90 o/o L 10/10 NW8x2000	
11	510318	male snap coupling M18x1,5	
12	5104	Dust cap for hydro connector	
13	127204092	set bolt M20x40, brass	
	(04104108)	hydraulic variation of the width equipment supplementation 800 - 1.200 mm für VG 043	
	(04104109)	hydraulic variation of the width equipment supplementation 900 - 1.300 mm für VG 043	
	(04104110)	hydraulic variation of the width equipment supplementation 1.000 - 1.400 mm für VG 043	
	(04104111)	hydraulic variation of the width equipment supplementation 1.100 - 1.600 mm für VG 043	
	(04104112)	hydraulic variation of the width equipment supplementation 1.250 - 1.750 mm für VG 043	
	(04104115)	hydraulic variation of the width equipment supplementation 1.500 - 2.000 mm für VG 043	
	(04104117)	hydraulic variation of the width equipment supplementation 1.700 - 2.200 mm für VG 043	
	(04104122)	hydraulic variation of the width equipment supplementation 2.200 - 2.700 mm für VG 043	
	(04104127)	hydraulic variation of the width equipment supplementation 2.700 - 3.300 mm für VG 043	



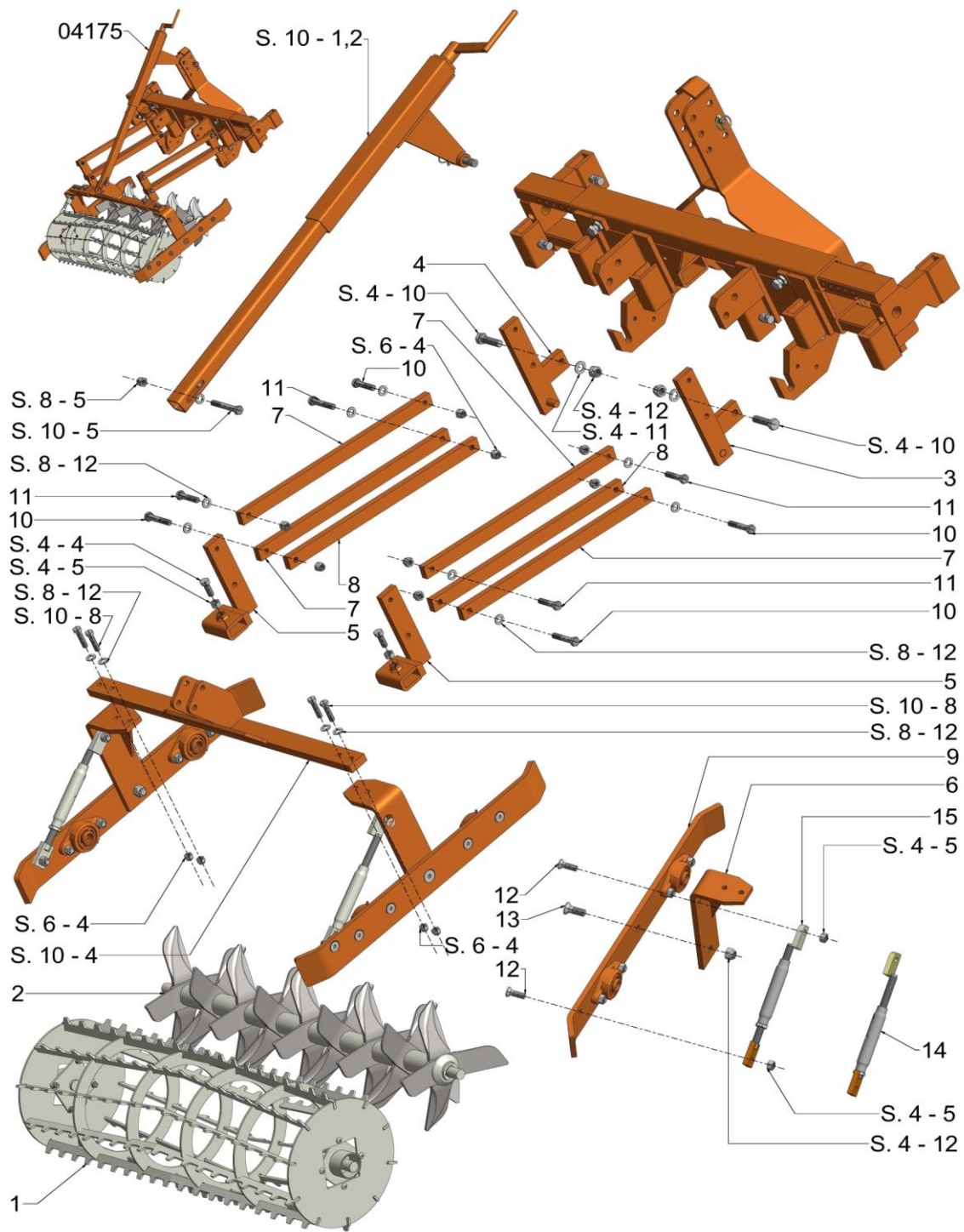
Spare parts list - Cultivator

Fig.	Item No.	Description	Notes
1	04306 (04307) (04308)	Mounting frame for cultivator, tube length 600 mm mounting frame for cultivator, short version Mounting frame for cultivator, tube length 800 mm	
2	00430612 (00430712) (00430812)	basic frame for mounting frame 600mm basic frame for mounting frame 700mm basic frame for mounting frame 800mm	
3	00430606 (00430706) (00430806)	forked sleeve 300mm for mounting frame right forked sleeve 350mm for mounting frame right forked sleeve 400mm for mounting frame right	
4	004306061 (004307061) (004308061)	forked sleeve 300mm for mounting frame left forked sleeve 350mm for mounting frame left forked sleeve 400mm for mounting frame left	
5	00430602	3 points mounting	
6	15116001	self-locking nut 8.8 M16 1/1 Zn	
7	102167001	hexagon bolt 8.8 M16 x 70 Zn	
8	004143061	3 point safety bolt	
9	2011701	U-plate M16 Zn	
10	041042	Hydraulic variation of the width supplementation of the equipment	
11	004104201	center mounted bracket for hydraulic variation of the width supplementation	
12	004104202	welding bolt for forked sleeve	
13	5403010082500	hydraulic tube g/g m/m L 10/10 NW8 x 2500	
14	5401010080300	hydraulic tube g/g o/o L 10/10 NW8 x 300	
15	61043610	Splint pin 4x36 Zn # 03	
16	50201011	angle screw fitting 10L M14x1,5	
17	7351815058	Hydraulic cylinder 18x150 stroke with threaded end M16	
18	7402015058	Hydraulic cylinder 20x150 stroke with threaded end M16	
19	004104204	sleeve for synchronised cylinder M16	



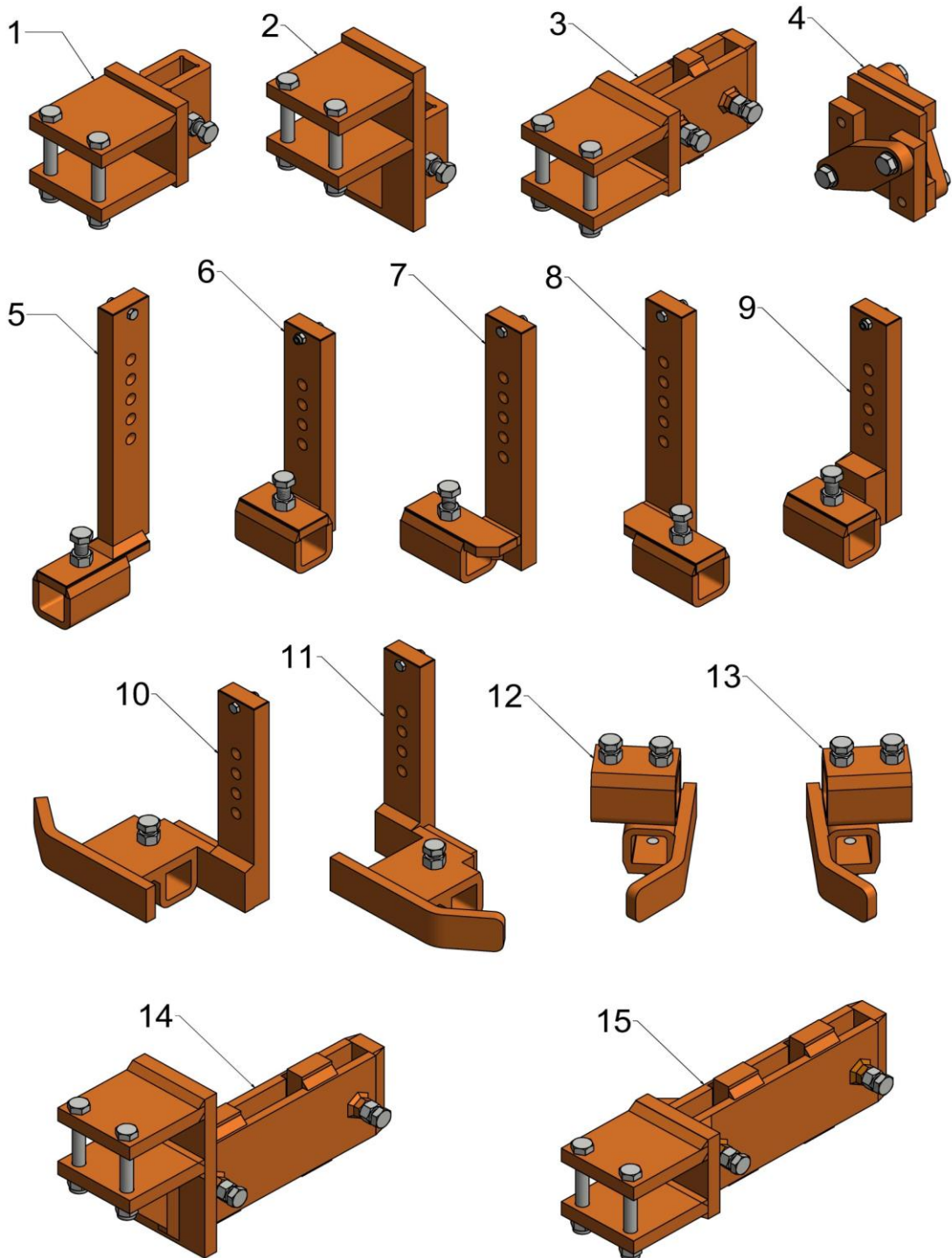
Spare parts list - Cultivator

Fig.	Item No.	Description	Notes
	(04144)	three-point linkage for attachment frame	
1	00414401	Spindle for three-point mount, standard	
2	0041180212 (0041180208) (0041180210) (0041180214)	spindle tube 1200mm spindle tube 800mm spindle tube 1000mm spindle tube 1350mm	
3	00414406 (00411806) (00414206) (00414306) (00414706) (0418408) (0418409) (0418410) (0418411) (0418412) (0418415) (0418418)	Pair of brackets 850 mm for three-point mount Roller mounting - BEK 1 pair Pair of brackets 400 mm for three-point mount Pair of brackets 620 mm for three-point mount Pair of brackets 720 mm angled for three-point mount Roller yoke complete for roller width 750 mm Roller yoke complete for roller width 880 mm Roller yoke complete for roller width 1,000 mm Roller yoke complete for roller width 1,100 mm Roller yoke complete for roller width 1,250 mm Roller yoke complete for roller width 1,500 mm Roller yoke complete for roller width 1,800 mm	
4	0041180440 (0041180410) (0041180420) (0041180430) (0041180450) (0041180460) (0041180470)	roller cross head 1070mm roller cross head 720mm roller cross head 840mm roller cross head 950mm roller cross head 1200mm roller cross head 1450mm roller cross head 1780mm	
5	1021610001	hexagon screw bolt 8.8 M16x100 Zn	
6	0041180502	Roller bracket with flange bearing, right	
7	00411805021	Roller bracket with flange bearing, left	
8	102146001	hexagon bolt 8.8 M14x60 Zn	
9	0041180108	crank	
10	62064000	Dowel pin M6x40 bl	
11	0041180111	spindle rod for spindle	
12	9406	Grease nipple M6 x 1 straight	



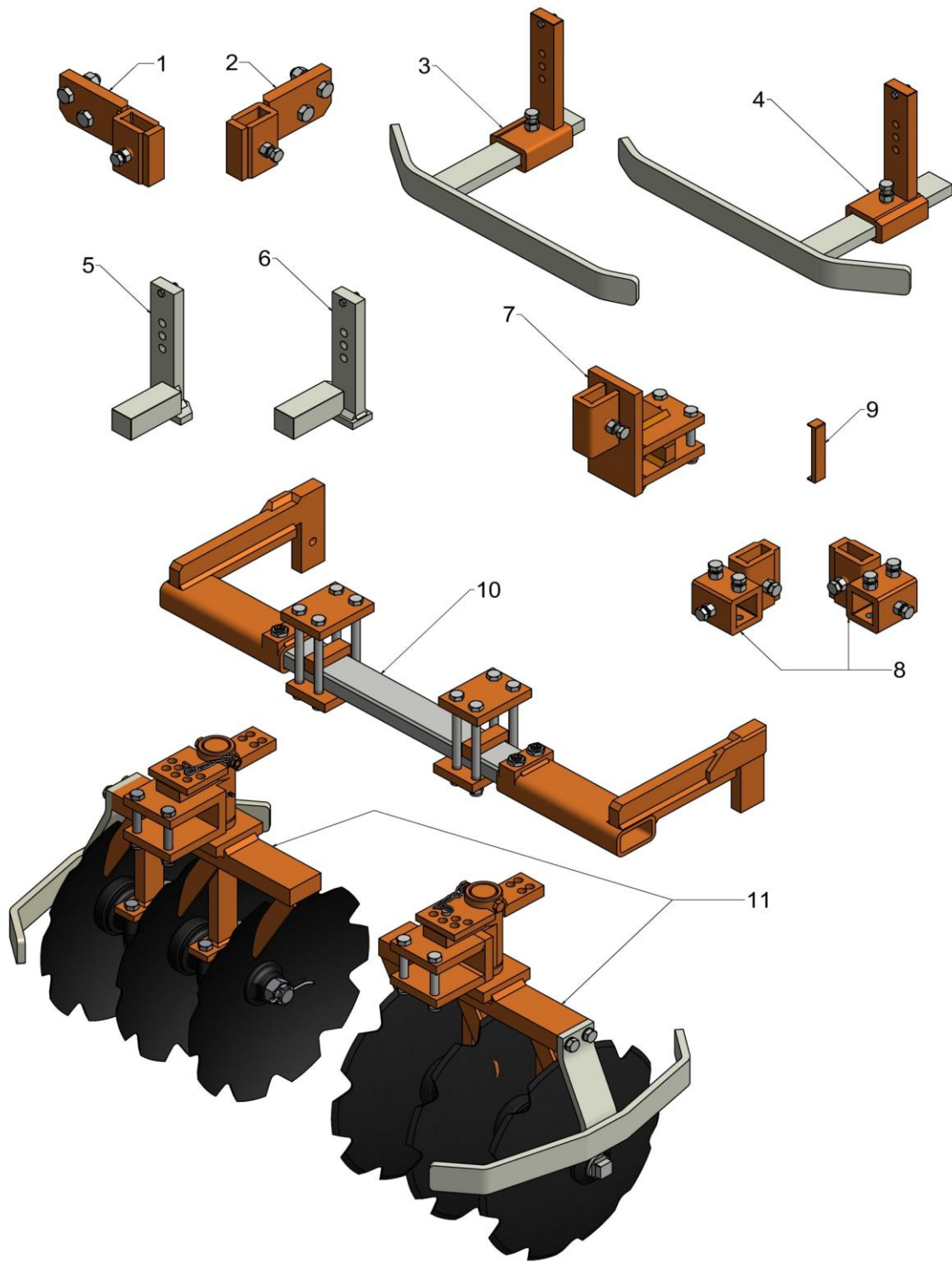
Spare parts list - Cultivator

Fig.	Item No.	Description	Notes	
1	(04119)	roller tiller 750mm (Ø300mm)		
	(04149)	roller tiller 880 mm (Ø300mm)		
	(04120)	roller tiller 1.000 mm (Ø300mm)		
	(04150)	roller tiller 1.100mm (Ø300mm)		
	(04121)	roller tiller 1.250mm (Ø300mm)		
	(04122)	roller tiller 1.500mm (Ø300mm)		
	(041191)	roller tiller 750mm (Ø400mm)		
	(041491)	roller tiller 880 mm (Ø400mm)		
	(041201)	roller tiller 1.000mm (Ø400mm)		
	041501	roller tiller 1.100 mm (Ø400mm)		
	(041211)	roller tiller 1.250mm (Ø400mm)		
	(041221)	roller tiller 1.500mm (Ø400mm)		
	(041451)	roller tiller 1.800mm		
	(041231)	Pipe roller 750mm		
(04177)	pipe roller 880 mm			
(04123)	pipe roller 1.000mm			
(041232)	pipe roller 1.100 mm			
(04124)	pipe roller 1.250mm			
(041241)	pipe roller 1.500mm			
(041242)	pipe roller 1.750 mm			
(04365)	roller Güttler 1.000 mm			
(043651)	roller Güttler 1.100 mm			
(04366)	roller Güttler 1.300 mm			
(043661)	roller Güttler 1.600 mm			
2	(04170)	Spade roller harrow 1.000 mm		
	04171	Spade roller harrow 1.100 mm		
	(04172)	Spade roller harrow 1.250mm		
	(04173)	Spade roller harrow 1.500 mm		
	(04174)	Parallel bracket with ball bearings 1.000 mm		
	(04175)	Parallel bracket with ball bearings 1.100 mm		
	(04178)	Parallel bracket with ball bearings 1.250 mm		
	(04176)	parallel mount with ball bearings 1.500		
	3	00417502	parallel mount for cultivator R/H	
	4	004175021	parallel mount for cultivator L/H	
5	00417503	Roller yoke mount for parallel guide		
6	00417504	Roller bearing bracket for parallel guide roller yoke, right		
7	004175041	Roller bearing bracket for parallel guide roller yoke, left		
8	00417505	Adjustable brace for parallel guide mount		
9	004175051	Adjustable brace for parallel guide mount, threaded M16		
10	00417508	Roller bearing for parallel guide, right, complete		
11	004175081	Roller bearing for parallel guide, left, complete		
12	101168001	hexagonal bolt 8.8 M16x80 Zn		
13	101166501	hexagonal bolt 8.8 M16x65 bl		
14	139165001	counter sunk bolt 8.8 M16x50 Zn		
15	139205520	counter sunk bolt 10.9 M20x55 bl		
16	00417507	Top link for parallel mount roller yoke, right		
17	004175071	Top link for parallel mount roller yoke, left		



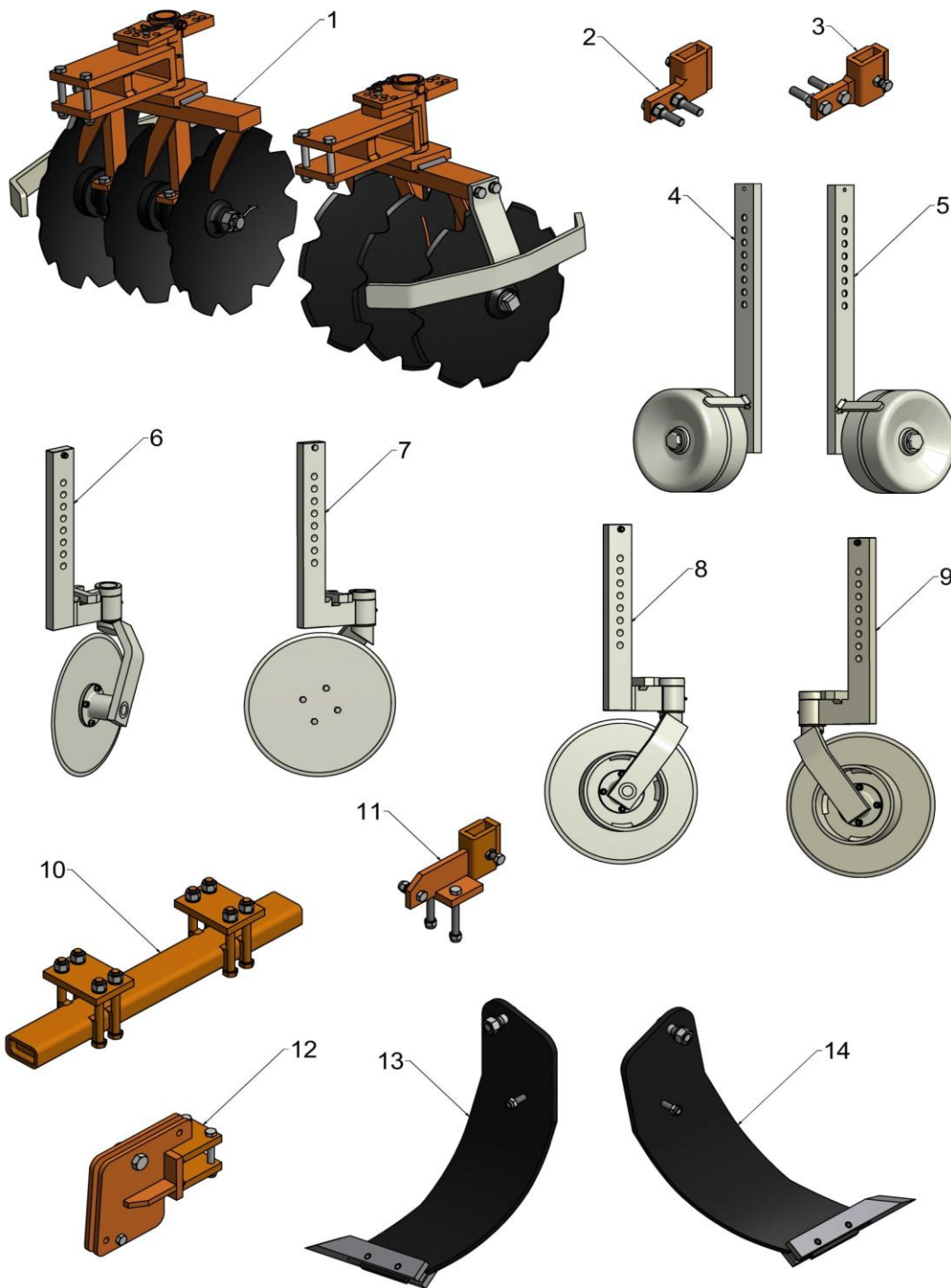
Spare parts list - Cultivator

Fig.	Item No.	Description	Notes
1	04138	Attachment for cultivator tooth	
2	04346	Attachment middle for cultivator tooth	
3	04309	Attachement with double bag	
4	04310	Attachment for cultivator tooth at mounting frame	
5	04347	Bracket for cultivator tines middle	
6	04311	Bracket for cultivator tines	
7	043841	Bracket in connection with 04310 L/H	
8	04384	Bracket in connection with 04310 R/H	
9	04386	Bracket in connection with 04138	
10	04349	Mounting for cultivator tines with deflector and stem, left	
11	04348	Bracket for cultivator tines R/H with guard rod	
12	04351	Mounting for cultivator tines with deflector, left	
13	04350	Bracket for cultivator tines R/H with guard	
14	04368	Mounting for cultivator shaft and swivelling coulter (offset)	
15	043681	Mounting for cultivator shaft and swivelling coulter	



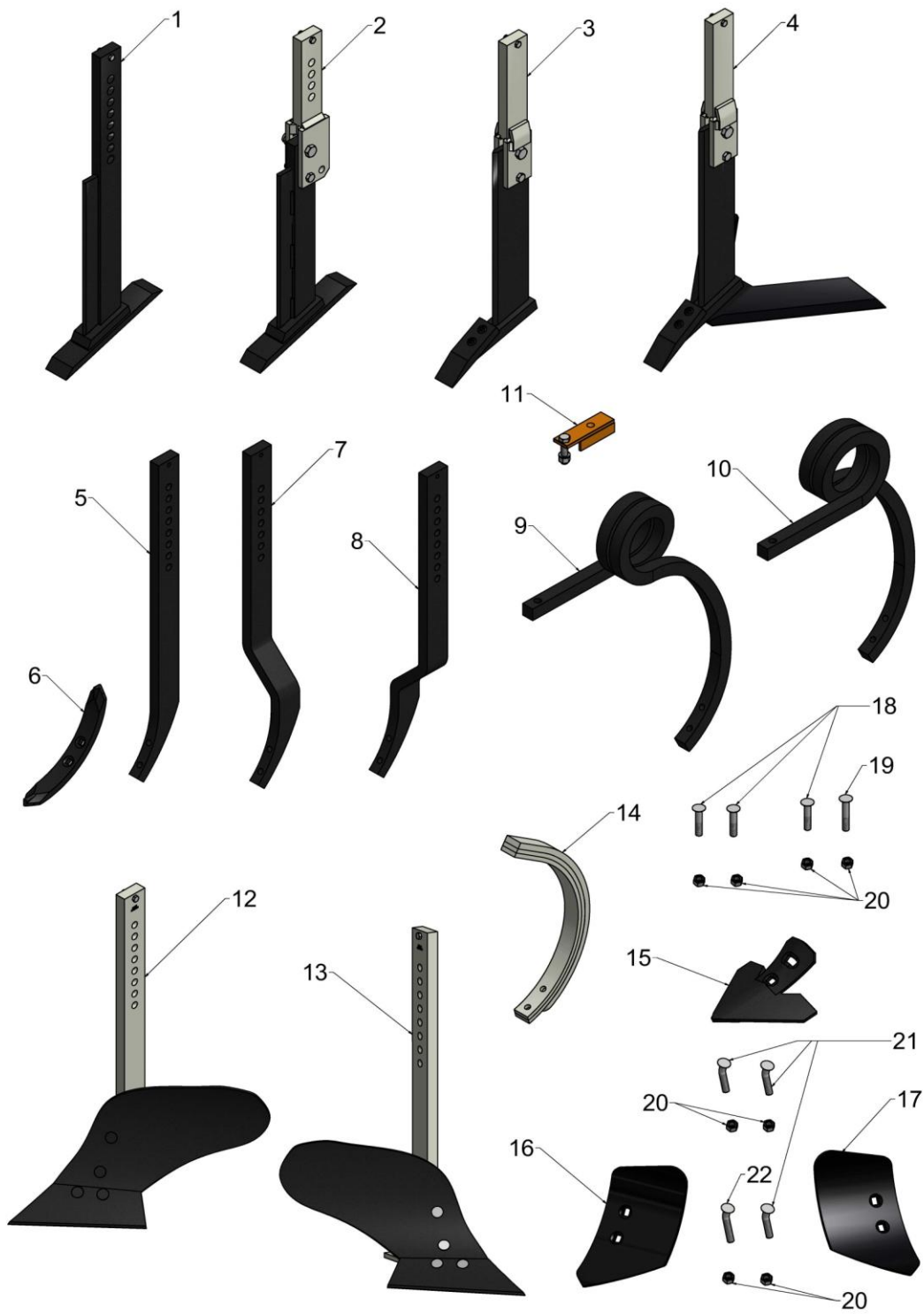
Spare parts list - Cultivator

Fig.	Item No.	Description	Notes
1	041601	bracket for ripper L/H	
2	04160	Bracket for ripper R/H	
3	04353	Deflector for swing blade with stem L/H	
4	04352	Deflector for swing blade with stem R/H	
5	04356	Adjustment for LUV or vine stem cl. L/H	
6	04312	Adjustment for LUV or vine stem cl. R/H	
7	090110	bracket for sharp chisel	
8	04359	bracket short 60x25	
9	011281	Mounting Body for U-pocket 60 x 25 mm	
10	0439010	cross piling for disc harrow 1.000 mm	
	(0439011)	cross piling for disc harrow 1.100 mm	
	(0439012)	cross piling for disc harrow 1.250 mm	
	(0439015)	cross piling for disc harrow 1.500 mm	
	(0439017)	cross piling for disc harrow 1.700 mm	
11	04328	pair of disc harrow triple	
	(04329)	pair of disc harrow fourfold	
	(04379)	pair of disc harrow with 5 discs on each part	
	(04377)	pair of disc harrow with 6 discs on each part	



Spare parts list - Cultivator

Fig.	Item No.	Description	Notes
1	043281	pair of disc harrow with 3 discs on each part	
	(043291)	pair of disc harrow fourfold at mounting frame	
2	04322	Bracket for weels L/H	
3	04321	Bracket for wheels R/H	
4	04324	Support wheel for cultivator L/H	
5	04323	Support wheel for cultivator R/H	
6	04362	swivelling coulter L/H	
7	04361	Swivelling coulter R/H	
8	04360	Supporting wheel disc L/H	
9	04314	Supporting wheel disc, slewable R/H	
10	04333	cross pilling for para plough tines 850 mm	
	(0433311)	cross pilling for para plough tines 1150 mm	
	(0433312)	cross pilling for para plough tines 1250 mm	
	(0433313)	cross pilling for para plough tines 1300 mm	
11	043321	bracket to add a swivelling coulters at para plough tine	
12	04332	bracket for para plough tines	
13	04335	para plough tines with chisel L/H	
14	04334	para plough tines with chisel R/H	
	(04374)	disc plow 350 mm R/H for cultivator	
	(043741)	disc plow 350mm L/H for cultivator	



Spare parts list - Cultivator

Fig.	Item No.	Description	Notes
1	04315	Tine shaft with set of tines	
2	04378	Tine shaft and tine share	
3	04317	Wing plough share without wingshare	
4	04319	Wing share with shaft	
5	04139	Cultivator tooth 730 x 60 x 25	
6	04128	Straight shear 16x40x300	
7	041391	Cultivator tooth 730 x 60 x 25 L/H cranked	
8	041390	Cultivator tooth 730 x 60 x 25 R/H cranked	
9	04381	Spring tines S-form L/H	
10	04380	Spring tines S-form R/H	
11	043801	Add. for spring tines S-form	
12	04117	turf stripper FW8 L/H	
13	04116	turf stripper R/H FW8	
	(04326)	Plough body FW 8 60 x 25 L/H	
	(04325)	Plough body FW 8 60 x 25 R/H	
14	04113	cultivator tines C-form	
15	04130 (04129) (04131) (04132)	goosfoot 200mm goosfoot 150mm goosefoot 250 mm goosfoot 300mm	
16	01145	Gouging tool Small L/H	
17	01144	Gouging tool Small R/H	
18	116126000	Counter sunk bolt 8.8 M12x60 bl	
19	116127000	Counter sunk bolt 8.8 M12x70 bl	
20	15012101	Hexagonal nut 8.8 M 12 1/1 Zn	
21	118126000	Counter sunk bolt 8.8 M12x60 bl Bended	
22	118127000	Counter sunk bolt 8.8 M12x70 bl Bended	



Australian Distributor

**AUSTRALIAN AGRICULTURE & VITICULTURE
SUPPLIES**

ph: 08 8326 0848

email: salesteam@aavsupplies.com.au

address: 40A O'Sullivan Beach Rd, Lonsdale, SA 5160

Web: www.aavsupplies.com.au

