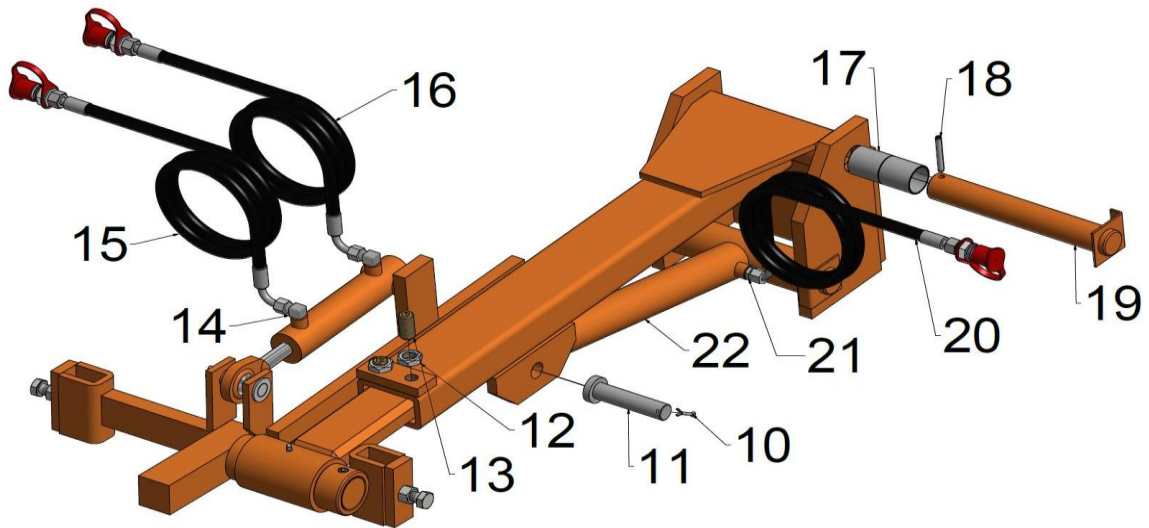
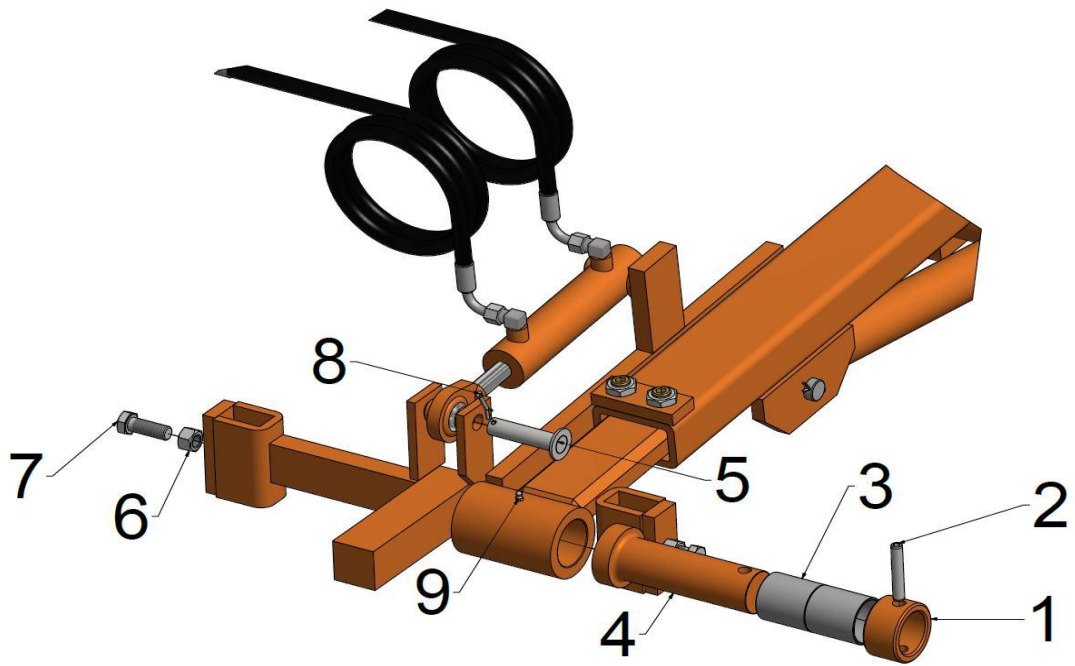


# Braun Telescope Lifting Fixture Spare Parts List

*Made in Germany*



## Spare parts list - Telescope lifting fixture

Fig.	Item No.	Description	Notes
1	00121406	Lock ring for vertical lifting fixture with inclination	
2	62127000	Spiral roll pin M12x70 bl	
3	404050	Bush Du 40-44-50	
4	00117203	bolt for fixture	
5	00130507	Telescopic lift assy., mech., right	
6	15016101	Hexagon nut 8.8 M16 1/1 Zn	
7	103164543	Hexagon head bolt 12.9 M16x45 GEO (trn.)	
8	61043610	Splint pin 4x36 Zn # 03	
9	9406	Grease nipple M6 x 1 straight	
10	61043610	Splint pin 4x36 Zn # 03	
11	00130506	Lift cylinder welded assembly, telescopic lift	
12	15020001	hexagon nut 04 M20 1/2 Zn	
13	127204092	set bolt M20x40, brass	
14	50101011	Elbow union WEV 10L M14x1,5	
15	540301012082000	Hydraulic tube g/g m/m L 10/12 NW8x2000 # 122	
16	540301012081500	Hydraulic tube g/g m/m L 10/12 NW8x1500 # 122	
17	404050	Bush Du 40-44-50	
18	66086000	Spiral roll pin M8x60 bl	
19	0013050103	Trunnion with locking plate for telescopic lift	
20	5402012101500	hydraulic tube g/g o/m L 12/12 NW10x1500	
21	50061271	Hydraulic nipples 1/2" GEV 12L R 1/2"	
22	700403004	Unidirectional lift cylinder 40x300 mm stroke	



**Australian Distributor**

**AUSTRALIAN AGRICULTURE & VITICULTURE  
SUPPLIES**

**ph:** 08 8326 0848

**email:** [salesteam@aavsupplies.com.au](mailto:salesteam@aavsupplies.com.au)

**address:** 40A O'Sullivan Beach Rd, Lonsdale, SA 5160

**Web:** [www.aavsupplies.com.au](http://www.aavsupplies.com.au)

