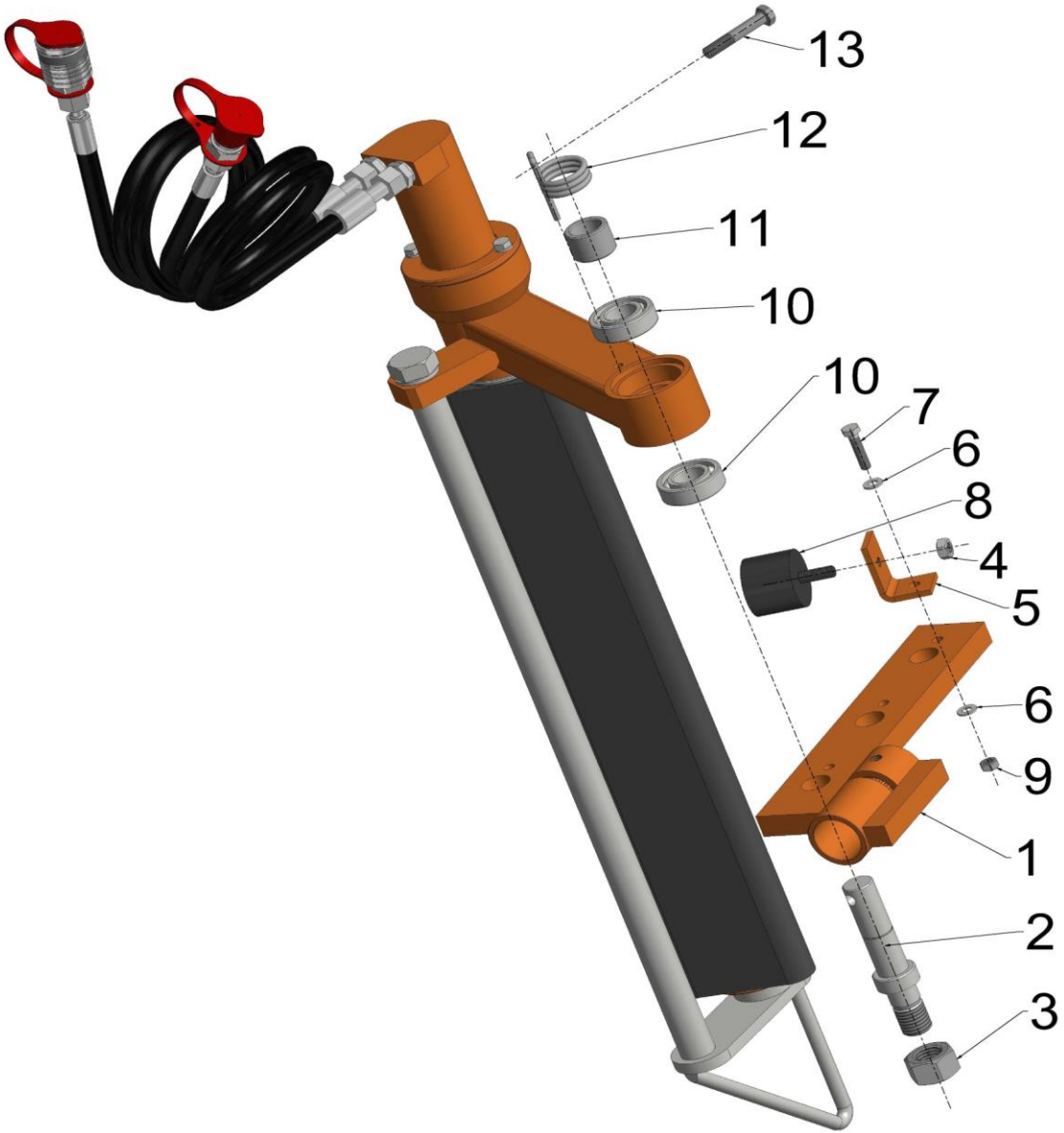




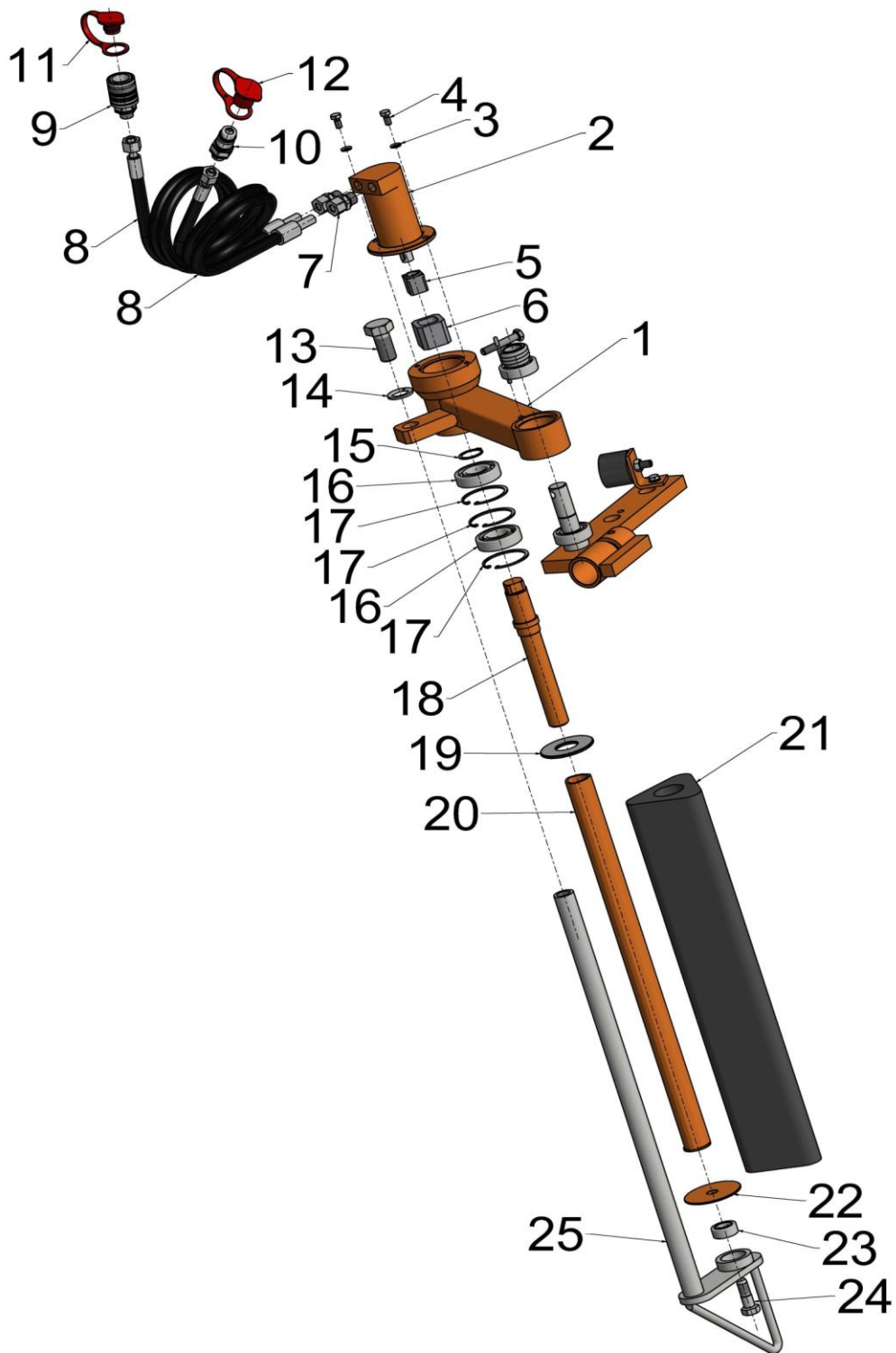
Braun Tendril Remover, Pruner Spare Parts List

Made in Germany



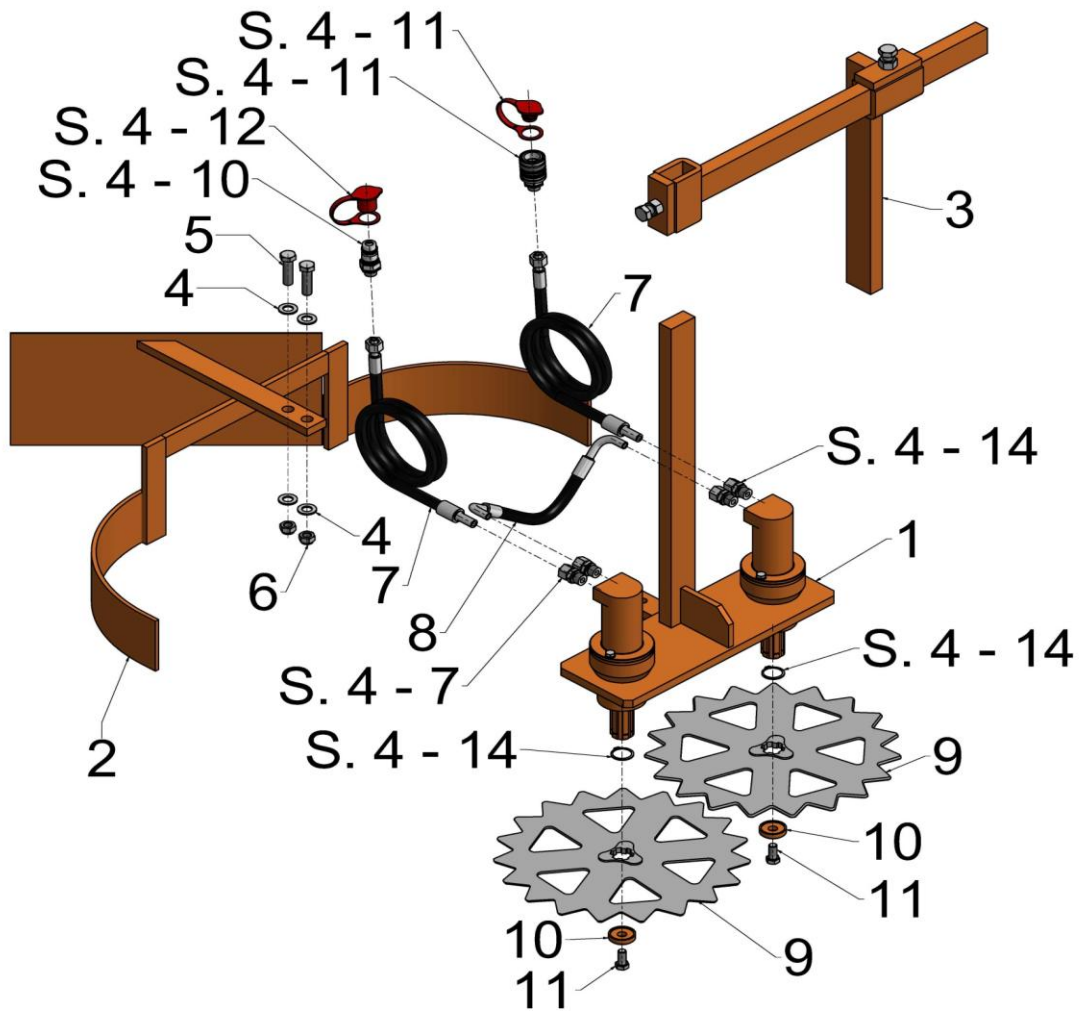
Spare parts list - Tendril remover, Pruner

Fig.	Item No.	Description	Notes
	(01401) (01402)	tendril remover, R/H tendril remover, L/H	
1	00140101	Mounting for deviner on short LUV implement with spline shaft	
2	00140105	Bolt for deviner swivel arm	
3	15024101	hexagonal nut 8.8 M24 1/1 Zn	
4	15010101	Nut 8.8 M 10 1/1 Zn	
5	00140113	Bracket for deviner rubber buffer	
6	20108401	Washer M8 Zn	
7	101083501	Hexagon bolt 8.8 M8x35 Zn	
8	00140106	rubber buffer	
9	15008101	Hexagon nut 8.8 M8 1/1 Zn	
10	3062052	Grooved ball bearing 6205 2RS	
11	00140115	spring bush for spring clip	
12	00140112	leg spring	
13	101106001	Hexagon bolt 8.8 M10x60 Zn	



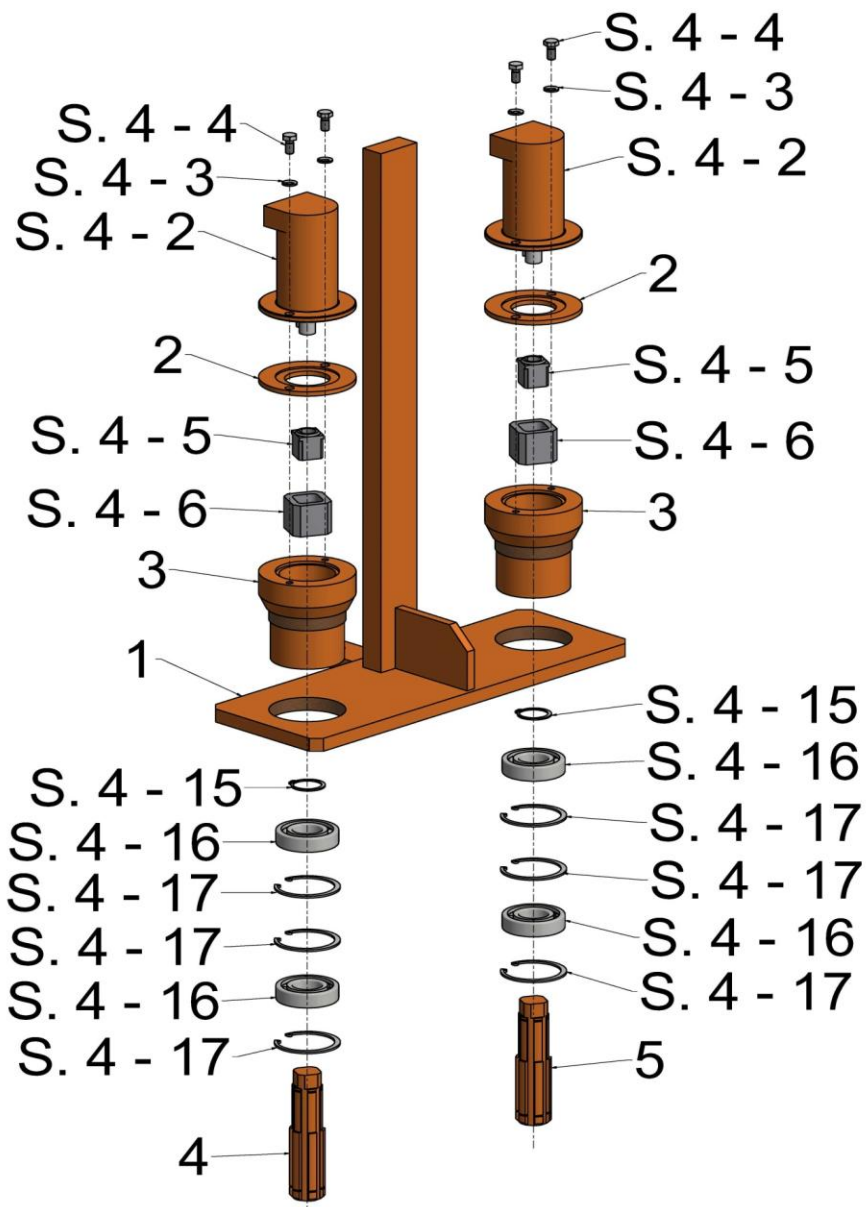
Spare parts list - Tendril remover, Pruner

Fig.	Item No.	Description	Notes
	(01401) (01402)	tendril remover, R/H tendril remover, L/H	
1	00140102 (00140202)	swivel arm, right swivel arm, left	
2	00310106	Hydraulic motor for vine trunk cleaner	
3	20308101	circlip M8 Zn A	
4	101082001	Hexagon bolt 8.8 M8x20 Zn	
5	003101030205	Clutch element for vine stem cleaner	
6	003101030403	Clutch sleeve for vine steam cleaner	
7	50061271	Hydraulic nipples 1/2" GEV 12L R 1/2"	
8	5402012102500	hydraulic tube g/g o/m L 12/12 NW10x2500	
9	510118	Female snap coupling M18x1,5	
10	510318	male snap coupling M18x1,5	
11	5102	Female Dust cap	
12	5104	Dust cap for hydro connector	
13	101224501	hexagonal bolt 8.8 M22x50 Zn	
14	20322111	Washer spring M22 Zn	
15	210301	Circlip A30	
16	3062062	Bearing 6206 2RS	
17	210620	Circlip I62	
18	00140107	Carrier for rubber shaft	
19	00140108	Wide bush for deviner	
20	00140116	Triangular shaft with shaft stub for deviner	
21	00140114	Rubber shaft for deviner	
22	00140109	Narrow thrust washer for deviner	
23	30622022	Grooved ball bearing 2202 2RS	
24	143144501	fit bolt 8.8 M14x45 Zn	
25	00140103	Wire deflector for deviner	



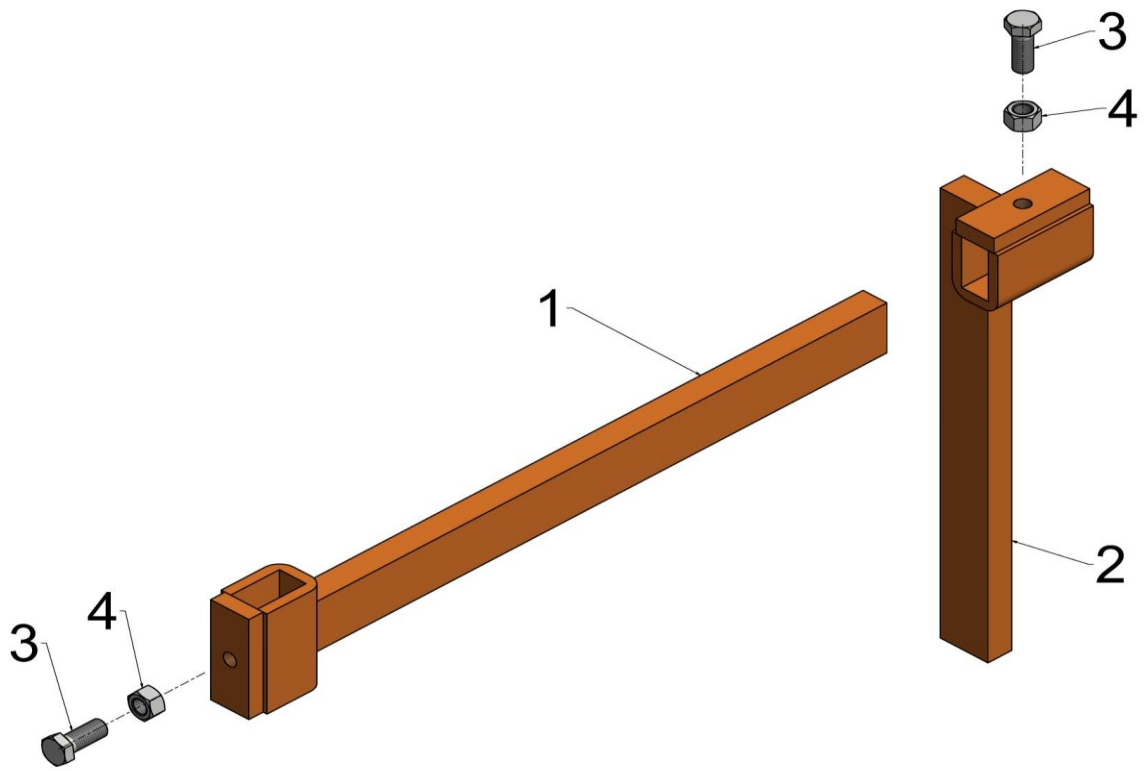
Spare parts list - Tendril remover, Pruner

Fig.	Item No.	Description	Notes
	(01501) (01502)	Pruner, R/H Pruner, L/H	
1	00150101	Motor mount for precutter	
2	00150102 (00150202)	Guard fixture for precutter Guard fixture for precutter	
3	00150104	Precutter boom, complete	
4	2011501	U-washer M14 Zn	
5	102145001	hexagon bolt 8.8 M14x50 Zn	
6	15114101	self-locking nut 8.8 NM 14 Zn	
7	5403012102500	Hydro tube g/g m/m L 12/12 NW10x2500	
8	541201010300	hydro tube 90/90 o/o L 10/10 NW10x850	
9	9153801	Star blade for precutter	
10	00150108	Shaft stub fur precutter spline shaft	
11	101122501	Hexagon screw 8.8 M12x25 Zn	



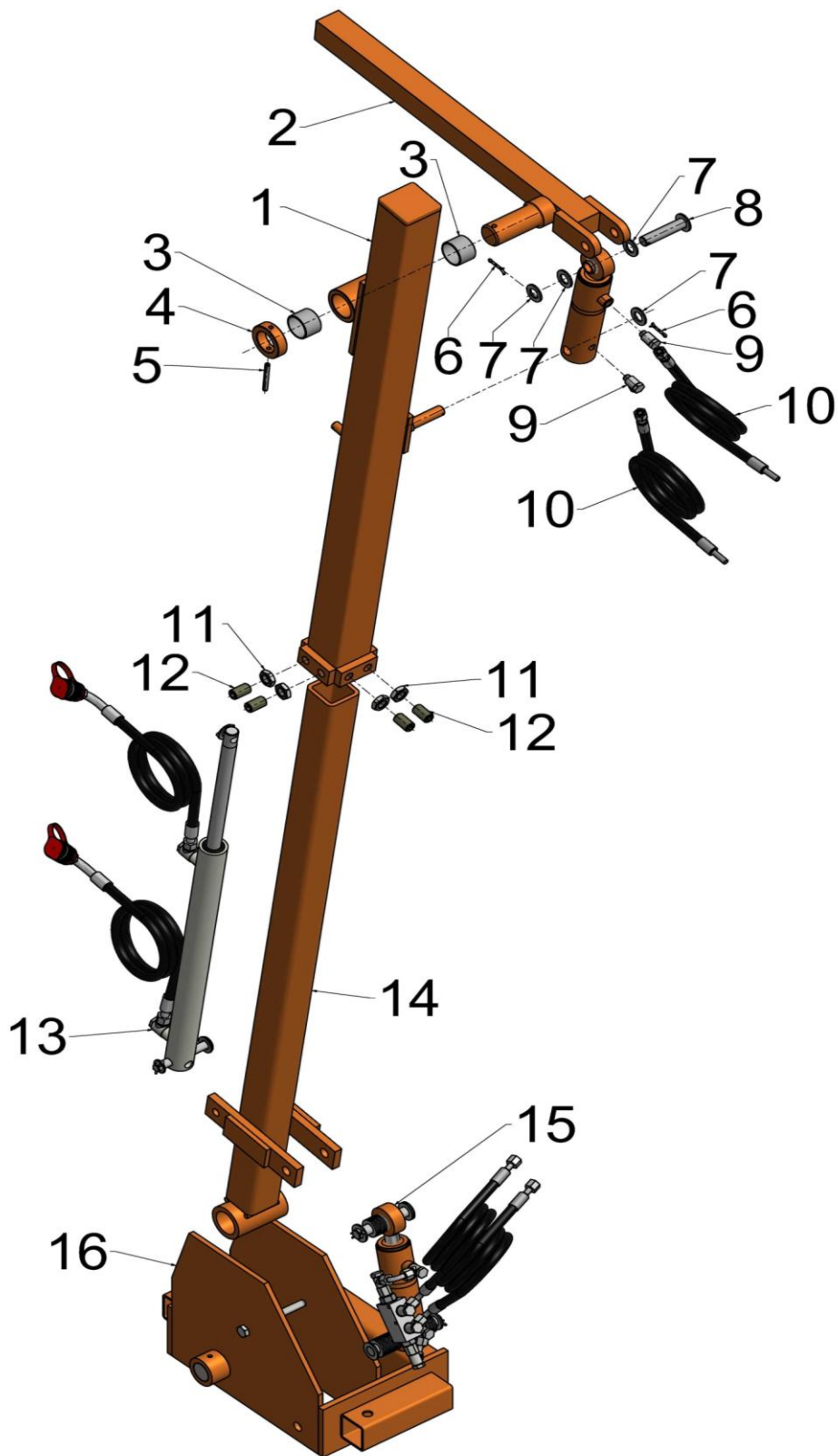
Spare parts list - Tendril remover, Pruner

Fig.	Item No.	Description	Notes
	(00150101)	Motor mount for precutter	
1	00150103	Hydraulic motor support, welded assembly	
2	0015010101	Spacer for RPW2 motor flange for precutter	
	(00150107)	Modified upper RPW2 bush complete with short spline shaft	
	(001501071)	Modified upper RPW2 bush complete with long spline shaft	
3	0015010701	Modified upper RPW2 bearing flange	
4	0015010702	Spline shaft for precutter, short	
5	0015010703	Spline shaft for precutter, long	



Spare parts list - Tendril remover, Pruner

Fig.	Item No.	Description	Notes
	<i>(00150104)</i>	Precutter boom, complete	
1	<i>00150105</i>	Precutter boom arbor	
2	<i>00150106</i>	Precutter boom mast	
3	<i>103164001</i>	hexagon screw bolt M16x40 Zn	
4	<i>15016101</i>	Hexagon nut 8.8 M16 1/1 Zn	



Spare parts list - Tendril remover, Pruner

Fig.	Item No.	Description	Notes
	(01601) (01602)	Front pole with lateral and inclination adjustment, R/H Front pole with lateral and inclination adjustment, L/H	
1	00160101 (00160201)	Main mast for front mast, right Télescope principal pour bras avant, gauche	
2	00160102	Boom arbor for front mast	
3	504535	Bush 4535 DU	
4	0011700106	lock ring for disc	
5	62087000	spring ring M8x70 bl	
6	61043610	Splint pin 4x36 Zn # 03	
7	2012101	U-washer M20 Zn	
8	00160103	Bolt for boom angle adjustment	
9	50201091	Swivelling screw connection 10L - 1/4"	
10	5402010082000	straight hydro tube mutual g/g o/m L 10/10 NW8x2000	
11	15020001	hexagon nut 04 M20 1/2 Zn	
12	127204092	set bolt M20x40, brass	
13	03115	Inner column height adjustment with DW cylinder	
14	00311101	Tilt mast for excess row base frame	
15	03113	Side slope adjustment with DW cylinder	
16	03117	Foot section	



Australian Distributor

**AUSTRALIAN AGRICULTURE & VITICULTURE
SUPPLIES**

ph: 08 8326 0848

email: salesteam@aavsupplies.com.au

address: 40A O'Sullivan Beach Rd, Lonsdale, SA 5160

Web: www.aavsupplies.com.au

