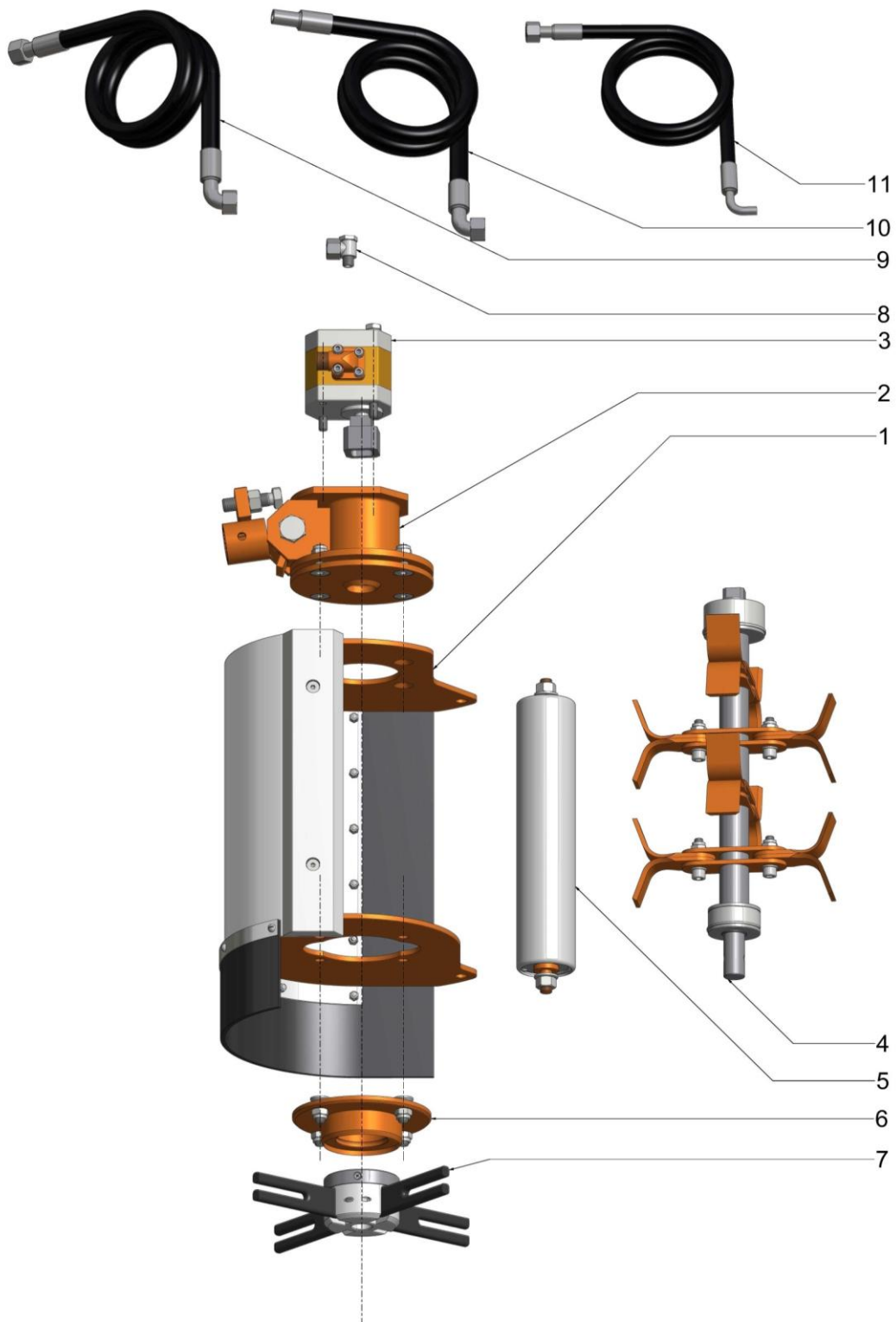


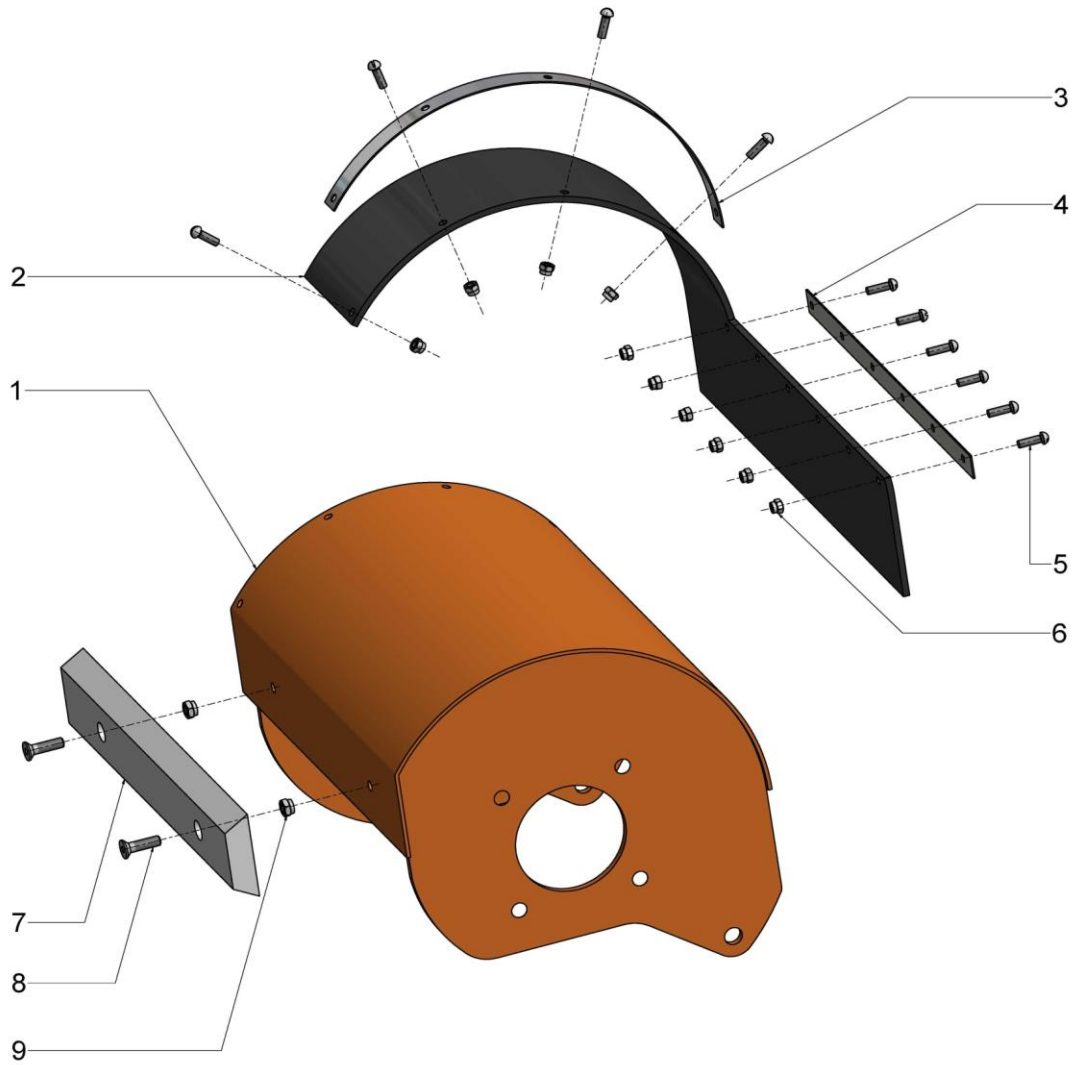
Braun Undervine Flail Mower Spare Parts List

Made in Germany



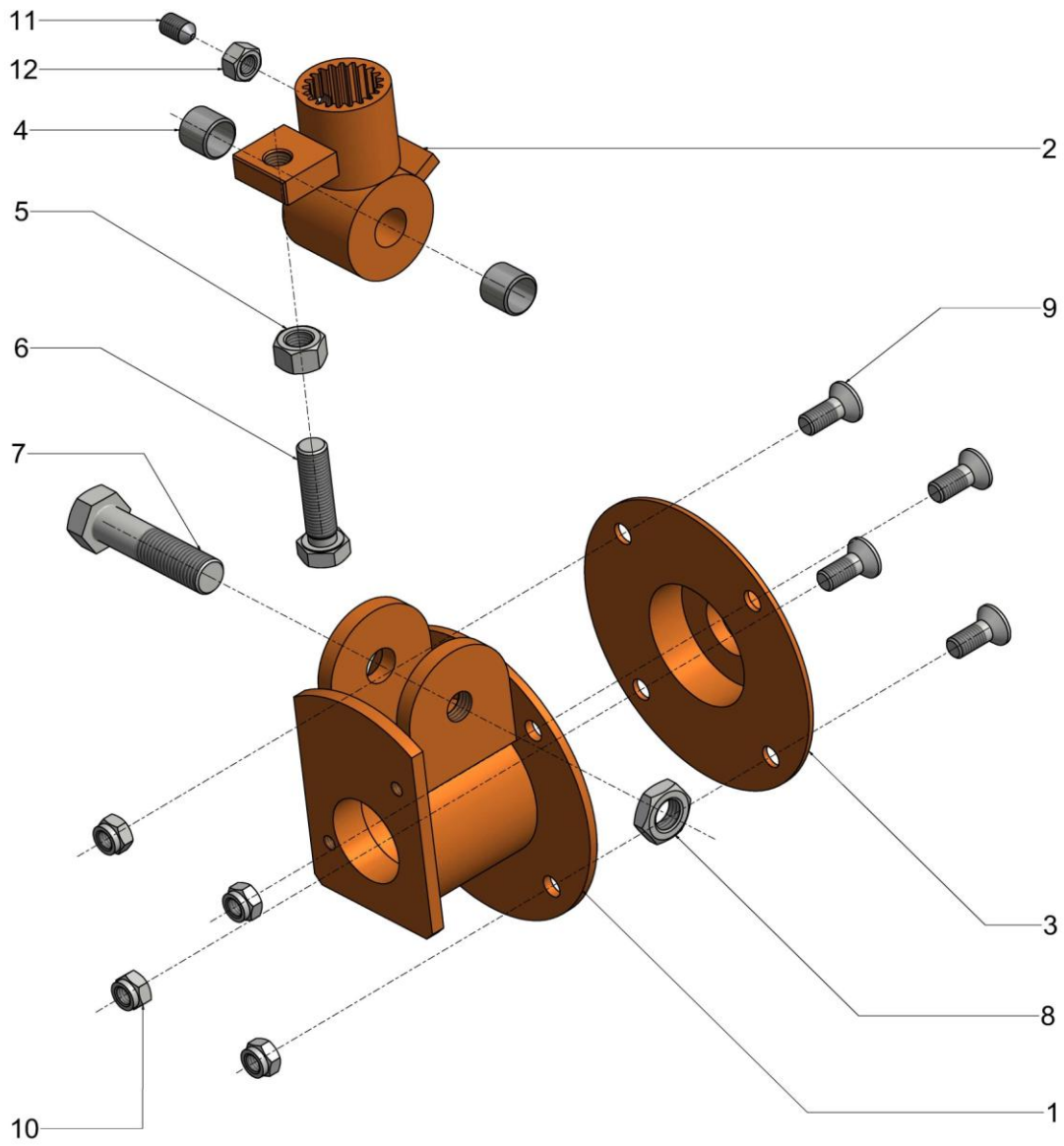
Spare parts list - Undervine flail mower

Fig.	Item No.	Description	Notes
	(0734347) (07343471)	undervine flail mower R/H undervine flail mower L/H	
1	00734701 (007347011)	Housing, complete, right Housing, complete, left	
2	00734702 (007347021)	Main bearing flange + connector components for connecting LUV Main bearing flange + connector components for connecting LUV, left	
3	00734703	Hydraulic motor with components	
4	00734704	Shaft with bearing and knives	
5	00734705	Roller with roller shaft and bearing	
6	00734708	Counter-bearing bush with components	
7	00734707	Plastic shaft complete with rubber flails for flail mower	
8	50201011	angle screw fitting 10L M14x1,5	
9	5407015132000	Hydraulic tube g/90 m/m S 15/15 NW13x2000	
10	5405015132000	Hydraulic tube g/90 o/m L 15/15 NW13x2000	
11	5406015082000	Hydraulic tube g/90 m/o L 15/15 NW8x2000	



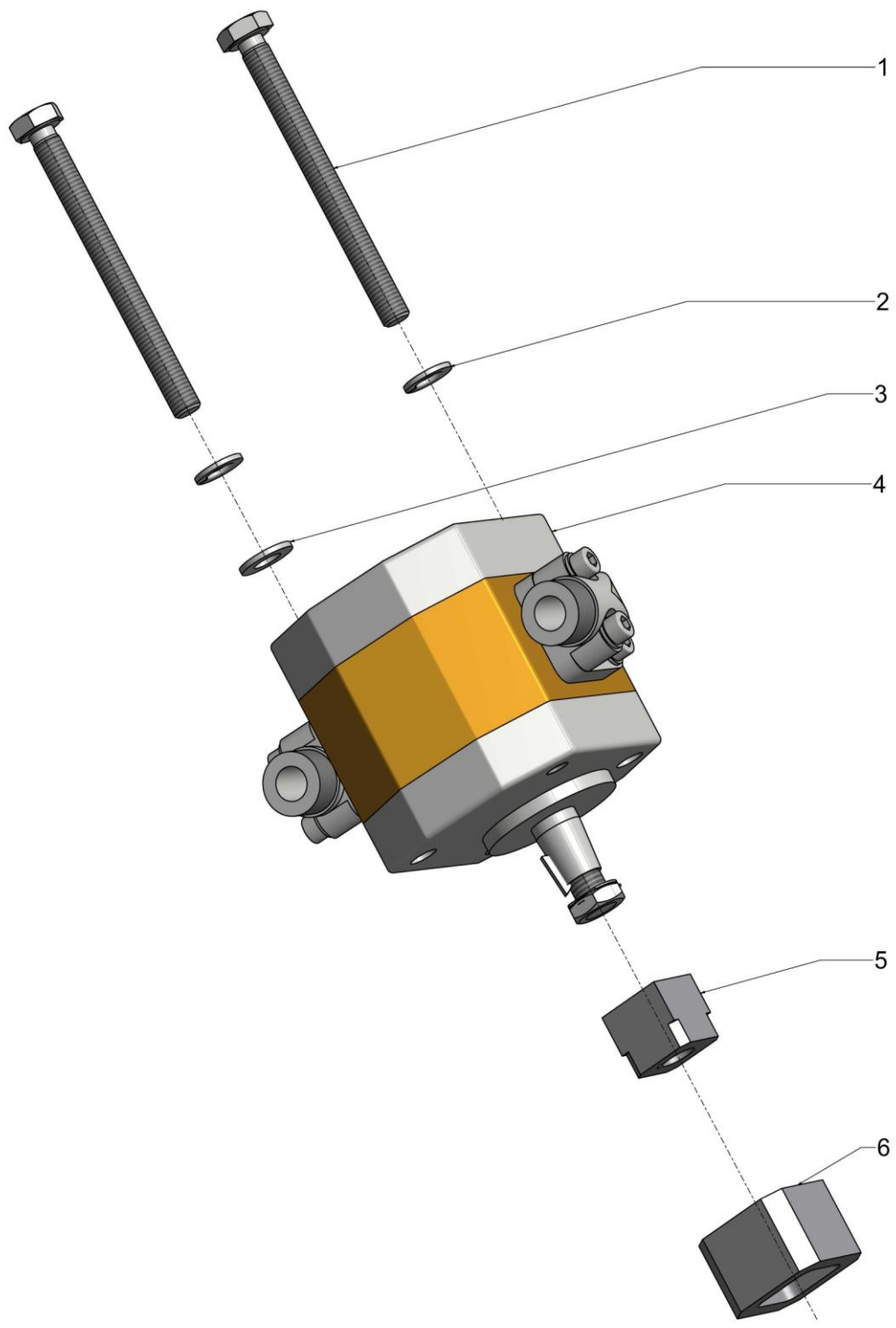
Spare parts list - Undervine flail mower

Fig.	Item No.	Description	Notes
	(00734701) (007347011)	Housing, complete, right Housing, complete, left	
1	00734710 (007347101)	Welded housing assembly for flail mower, right Welded housing assembly for flail mower, left	
2	0073470110	Rubber guard complete, right	
3	0073470109	Sheet metal strip, V2A stainless steel, for side	
4	0073470111	Sheet metal strip, V2A stainless steel, for rear	
5	148062091	Pan head screw M6x20 Zn	
6	15106101	Nut, self-locking, M6 1/1 Zn	
7	0073470108	Plastic deflector for flail mower (made in-house)	
8	139083001	Counter sunk bolt 8.8 M8x30 Zn	
9	15108001	self-locking nut 8.8 M8 Zn	



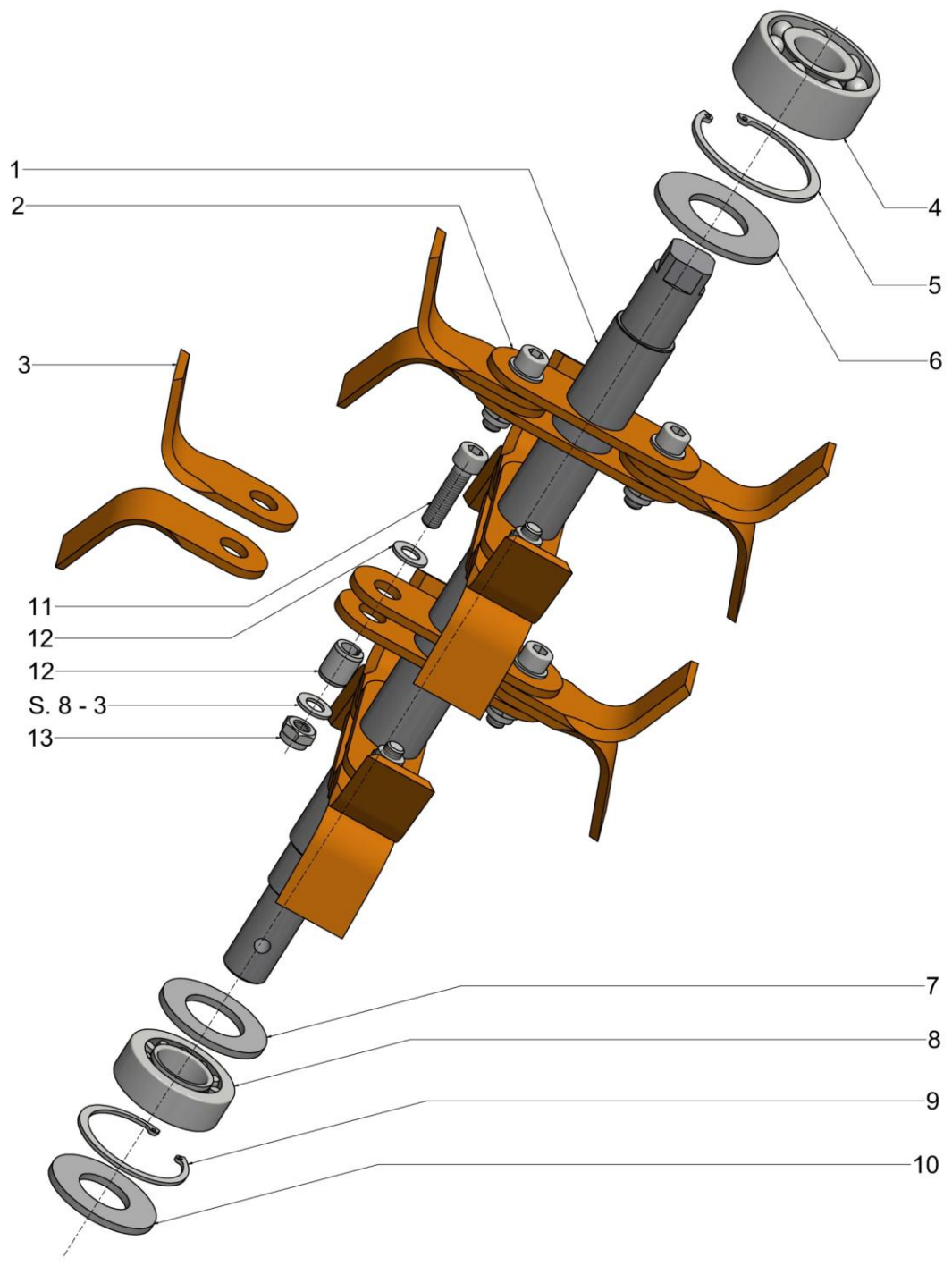
Spare parts list - Undervine flail mower

Fig.	Item No.	Description	Notes
	(00734702)	Main bearing flange + connector components for connecting LUV	
	(007347021)	Main bearing flange + connector components for connecting LUV, left	
1	00734711 (007347111)	Main bearing flange with lands for wedge bush joint, right Main bearing flange with lands for wedge bush joint, left	
2	00734712 (007347121)	Wedge bush joint, right Wedge bush joint, left	
3	0073470202	Cutter ring cap	
4	402020	Graphite Bush 2020 DU	
5	15016101	Hexagon nut 8.8 M16 1/1 Zn	
6	101166001	Hexagon screw 8.8 M16x60 Zn	
7	102208001	hexagon bolt 8.8 M20x80 Zn	
8	15020001	hexagon nut 04 M20 1/2 Zn	
9	139123001	Counter sunk bolt 8.8 M12x30 Zn	
10	15112101	hexagonal screw nut 8.8 M 12 1/1 Zn	
11	126122000	Grub bolt 914 45H M12x20	
12	15012101	Hexagonal nut 8.8 M 12 1/1 Zn	



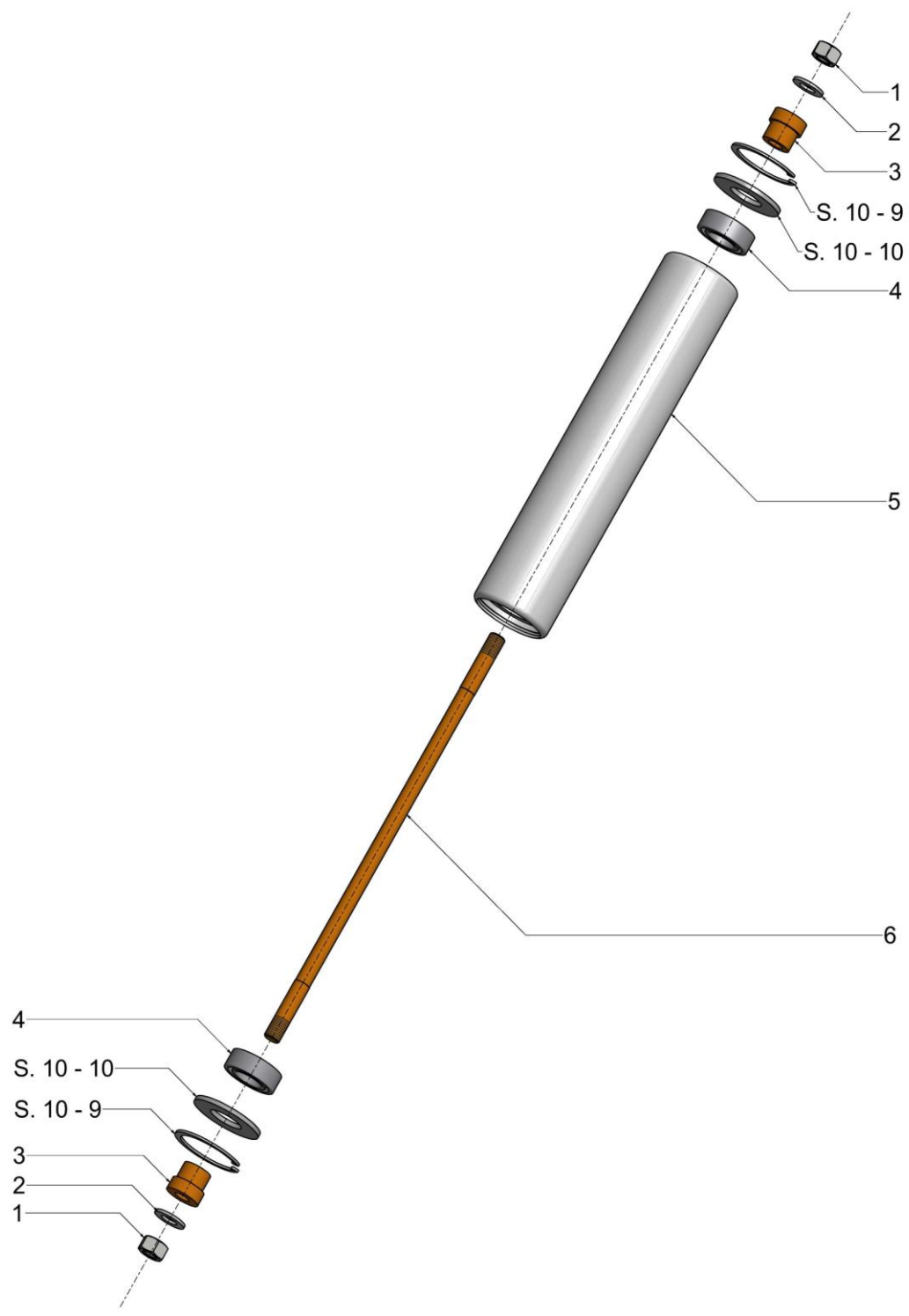
Spare parts list - Undervine flail mower

Fig.	Item No.	Description	Notes
	(00734703)	Hydraulic motor with components	
1	1021011001	Hexagon bolt 8.8 M10x110 Zn	
2	20310111	Spring washer M10 Zn	
3	2011001	Washer M10 Zn	
4	580417111	Hydraulic motor	
5	0073470302	engine square for flail mower	
6	003101030403	Clutch sleeve for vine steam cleaner	



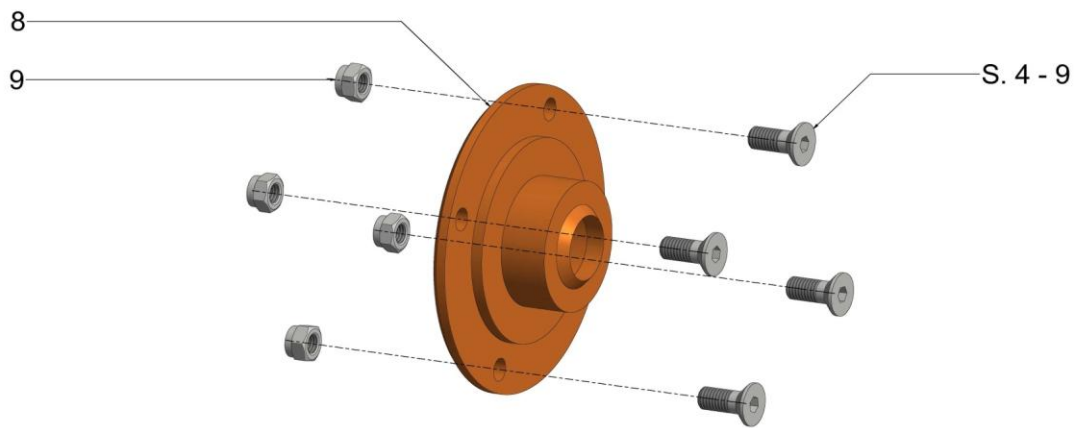
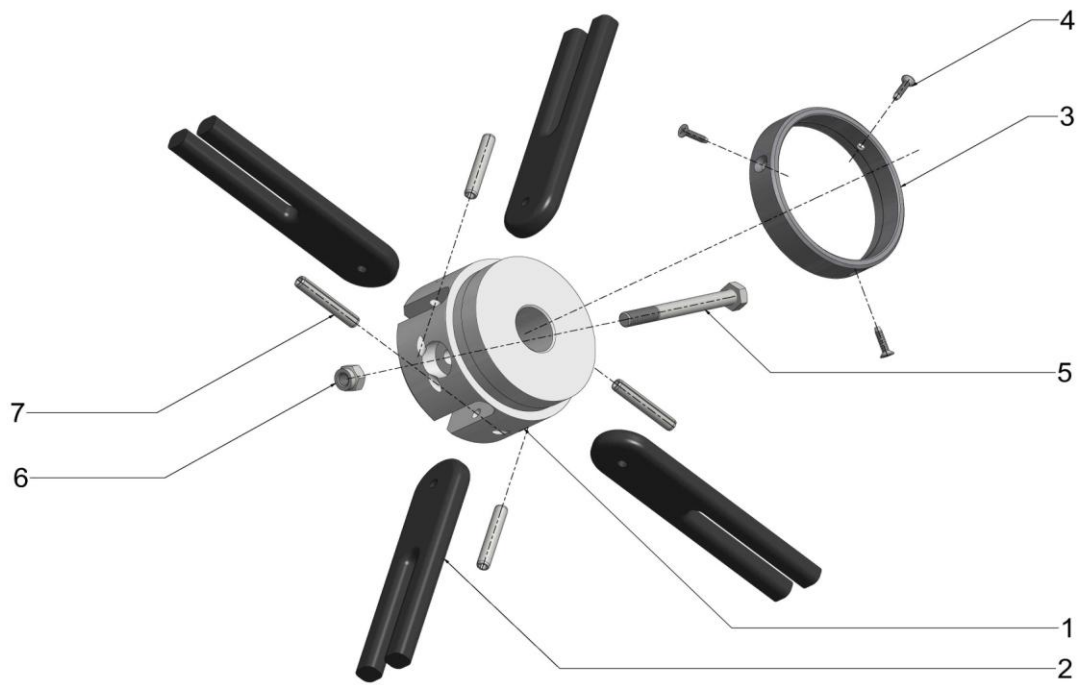
Spare parts list - Undervine flail mower

Fig.	Item No.	Description	Notes
	<i>(00734704)</i>	Shaft with bearing and knives	
1	0073470401	Main shaft for flail mower	
2	0073470402	Knife carrier for under-vine flail mower	
3	0073470403	Knife for mulcher	
4	36320722	ball-bearing diagonal	
5	210720	Circlip I72	
6	53735724	sealing ring 3572LSTO	
7	53735624	Nilos ring 3562LSTO	
8	3322062	floating bearing	
9	210620	Circlip I62	
10	53730624	Nilos ring 3062LSTO	
11	106104001	Allen bolts 8,8 M10x40 Zn	
12	62162100	span pin 16x21	
13	15110001	self locking nut 8.8 M10	



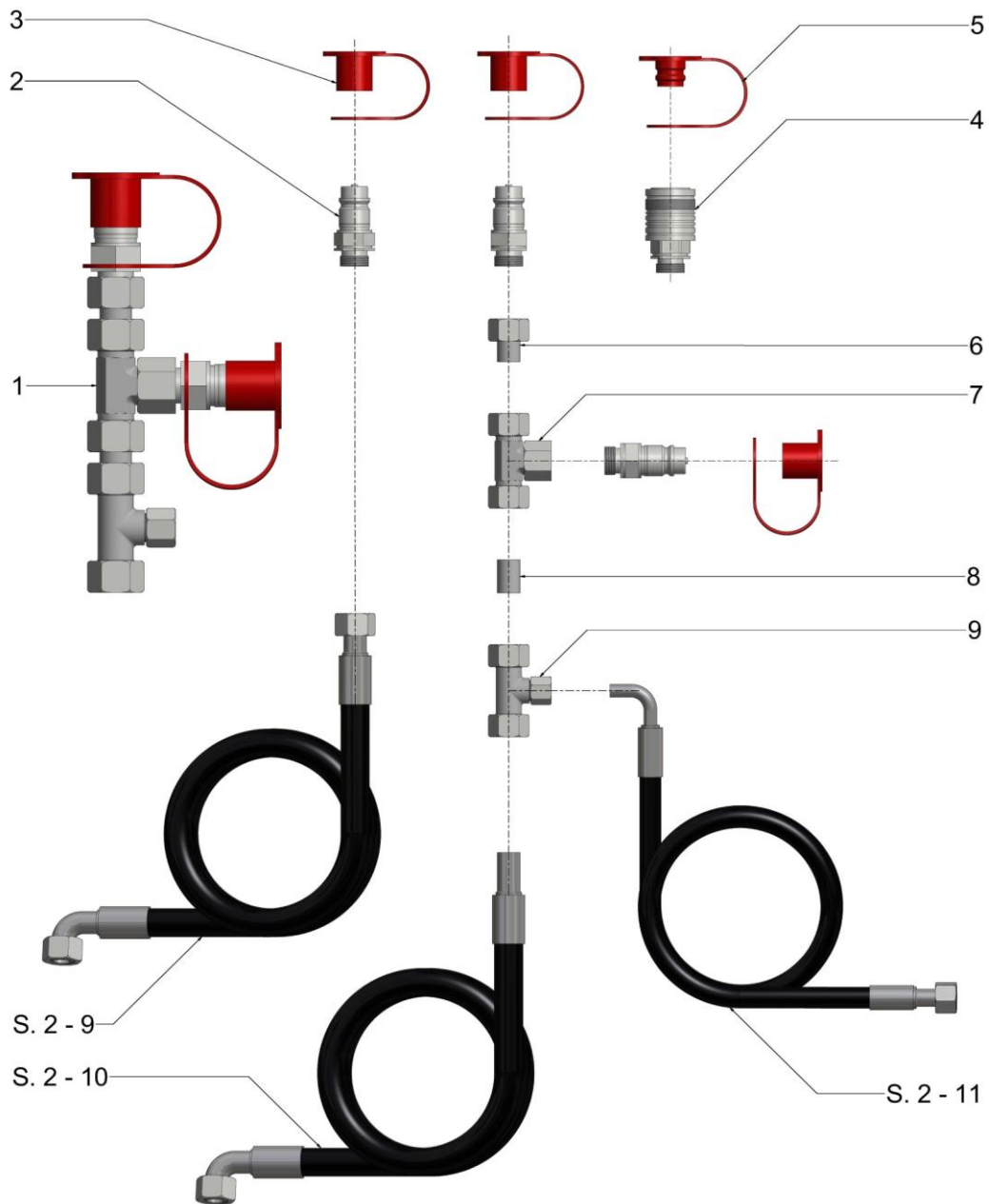
Spare parts list - Undervine flail mower

Fig.	Item No.	Description	Notes
	<i>(00734705)</i>	Roller with roller shaft and bearing	
1	15114101	self-locking nut 8.8 NM 14 Zn	
2	2011501	U-washer M14 Zn	
3	0073470503	Bush for plastic shaft bearing	
4	32320050	Tapered roller bearing 32005 NB	
5	0073470502	Plastic roller for flail mower	
6	0073470501	Bearing shaft for plastic roller for flail mower	



Spare parts list - Undervine flail mower

Fig.	Item No.	Description	Notes
	<i>(00734707)</i>	Plastic shaft complete with rubber flails for flail mower	
1	0073470701	Plastic shaft for rubber flails for flail mower	
2	0073470702	Shortened rubber flails for flail mower from 0031011	
3	0031010402	Thrust ring for plastic roll	
4	1370481391	Countersunk cross head sheet metal srew 4,8x13 Zn	
5	102088001	Hexagon screw 8.8 M8x80 Zn	
6	15108001	self-locking nut 8.8 M8 Zn	
7	62064000	Dowel pin M6x40 bl	
	<i>(00734708)</i>	Counter-bearing bush with components	
8	0073470801	Counter-bearing bush for flail mower	
9	15112001	self-locking nut	



Spare parts list - Undervine flail mower

Fig.	Item No.	Description	Notes
1	00734713	Hydraulic attachment assembly for mounting flail mower on one side	
2	510322	Male snap coupling M22x1,5	
3	5104	Dust cap for hydro connector	
4	510122	Female snap coupling M22x1,5	
5	5102	Female Dust cap	
6	0011032	Sleeve, single side, with lock nut	
7	50301051	T-Connection 15 L	
8	0011033	Sleeve without lock nut	
9	5311515101	T reducer connector 15L 15L 10L	
	(00734714)	Hydraulic attachment assembly+D201:D230y for mounting flail mower on both sides	
	(50551051)	Screw connection 15L M22x1,5	
	(5404015131150)	hydraulic tube \varnothing 90 o/o L 15/15 NW13x1150	



Australian Distributor

**AUSTRALIAN AGRICULTURE & VITICULTURE
SUPPLIES**

ph: 08 8326 0848

email: salesteam@aavsupplies.com.au

address: 40A O'Sullivan Beach Rd, Lonsdale, SA 5160

Web: www.aavsupplies.com.au

