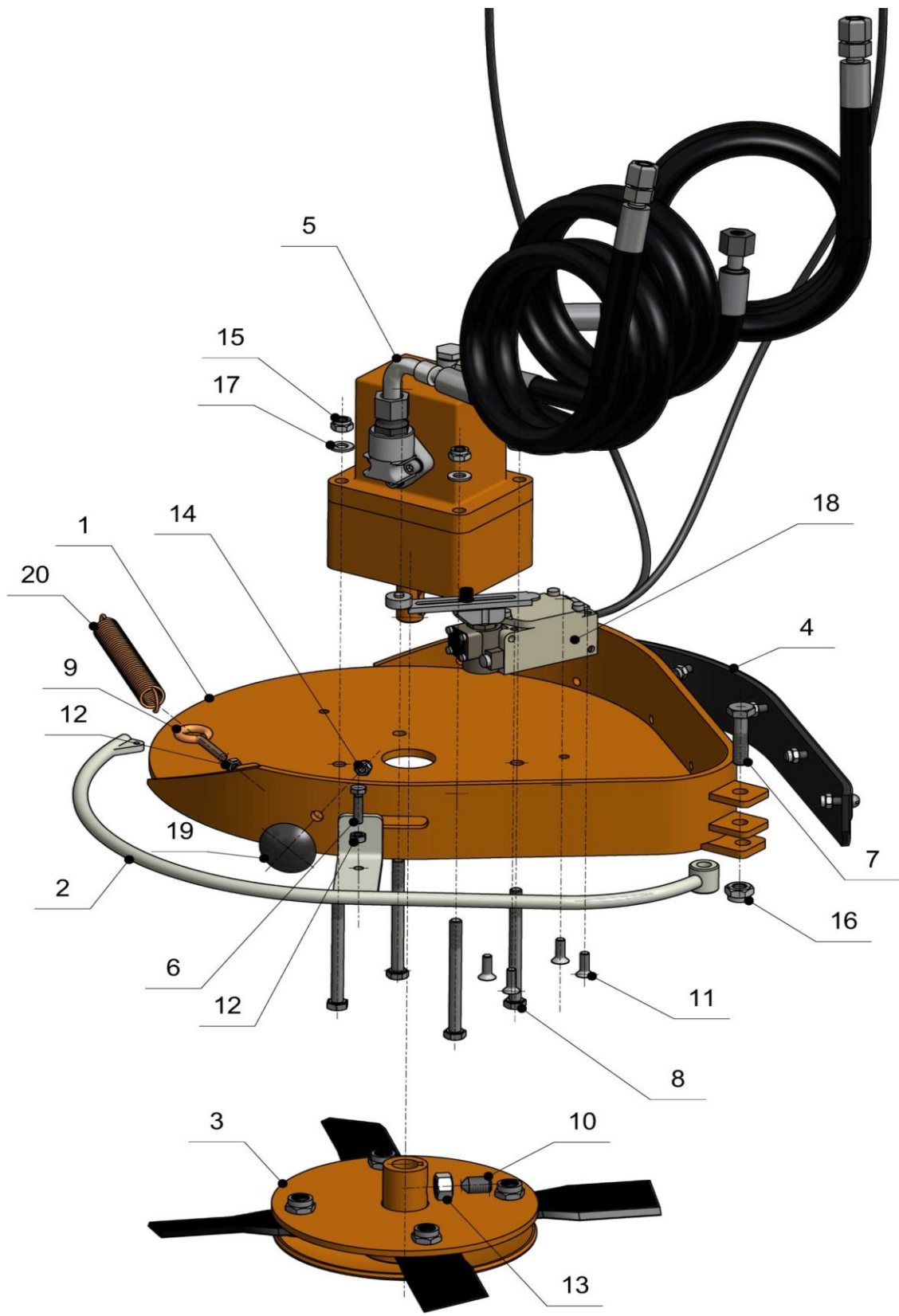


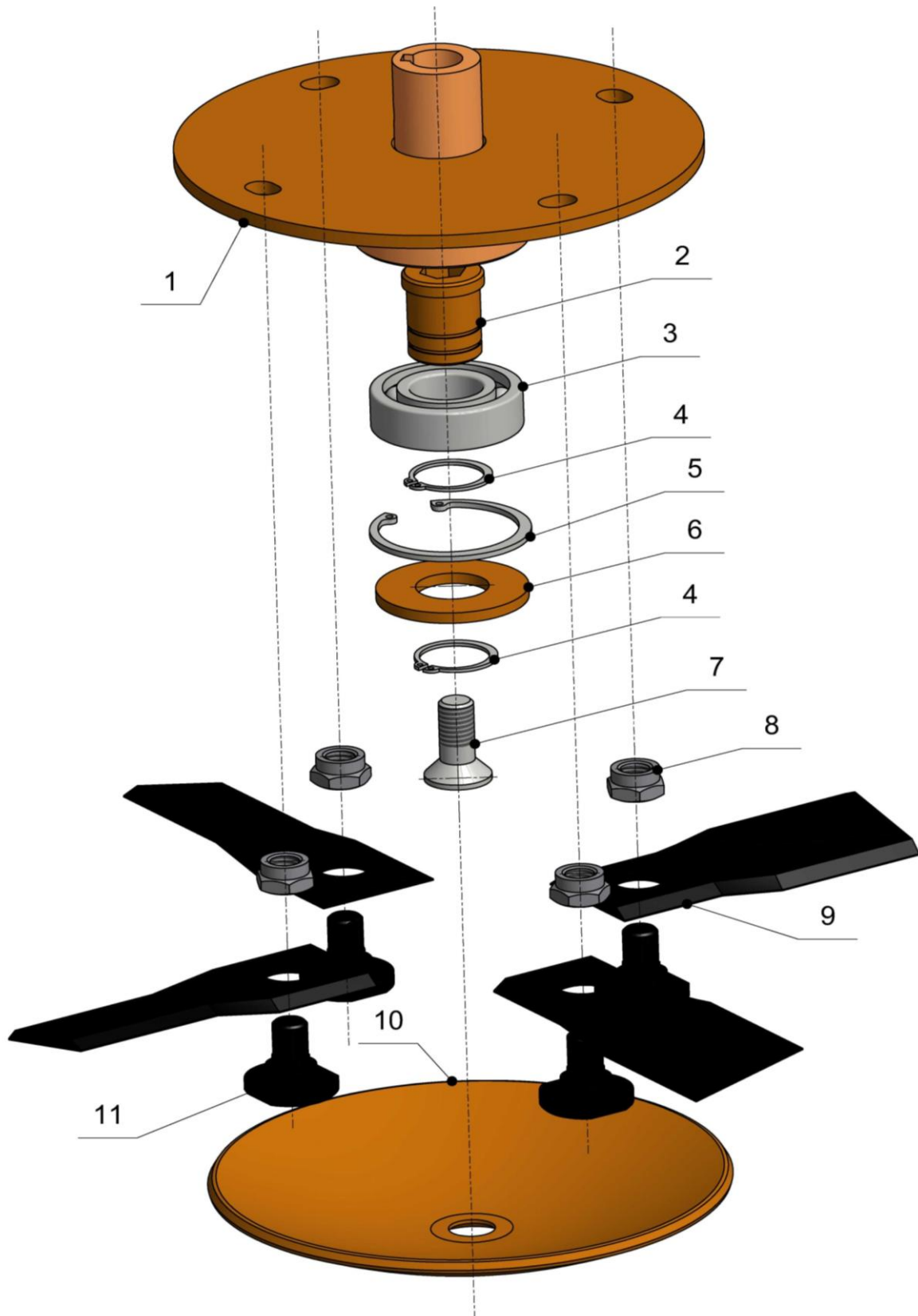
**Braun
Undervine
Sickle Mower**

Made in Germany



Spare parts list - Undervine sickle mower

Fig.	Item No.	Description	Notes
	(0735358) (07353581)	Undervine sickle mower R/H undervine sickle mower L/H	
1	00735801 (007358011)	Housing, sickle mower, right Housing, sickle mower, left	
2	00735802 (007358021)	Welded assembly for sensor, sickle mower, right Welded assembly for sensor, sickle mower, left	
3	00735803 (007358031)	Turntable system for sickle mower, right Turntable system for sickle mower, left	
4	00735804	Rubber guard for sickle mower, complete, right	
5	00735808	Hydraulic motor with attachment components, complete	
6	101062501	Hexagonal screw 8.8 M6x25 Zn	
7	101104001	Hexagon screw 8.8 M10x40 Zn	
8	102089001	Hexagon screw 8.8 M8x90 Zn	
9	124064001	Eye bolt M06x10 Zn	
10	126122000	Grub bolt 914 45H M12x20	
11	139061801	countersunk screw	
12	15006101	hexagonal nut 8.8 M6 1/1 Zn	
13	15012101	Hexagonal nut 8.8 M 12 1/1 Zn	
14	15106101	Nut, self-locking, M6 1/1 Zn	
15	15108001	self-locking nut 8.8 M8 Zn	
16	15110001	self locking nut 8.8 M10	
17	20108401	Washer M8 Zn	
18	841110	Limit switch	
19	97801	Stop buffer for sickle mower sensor	
20	97803	Spring for sickle mower sensor	



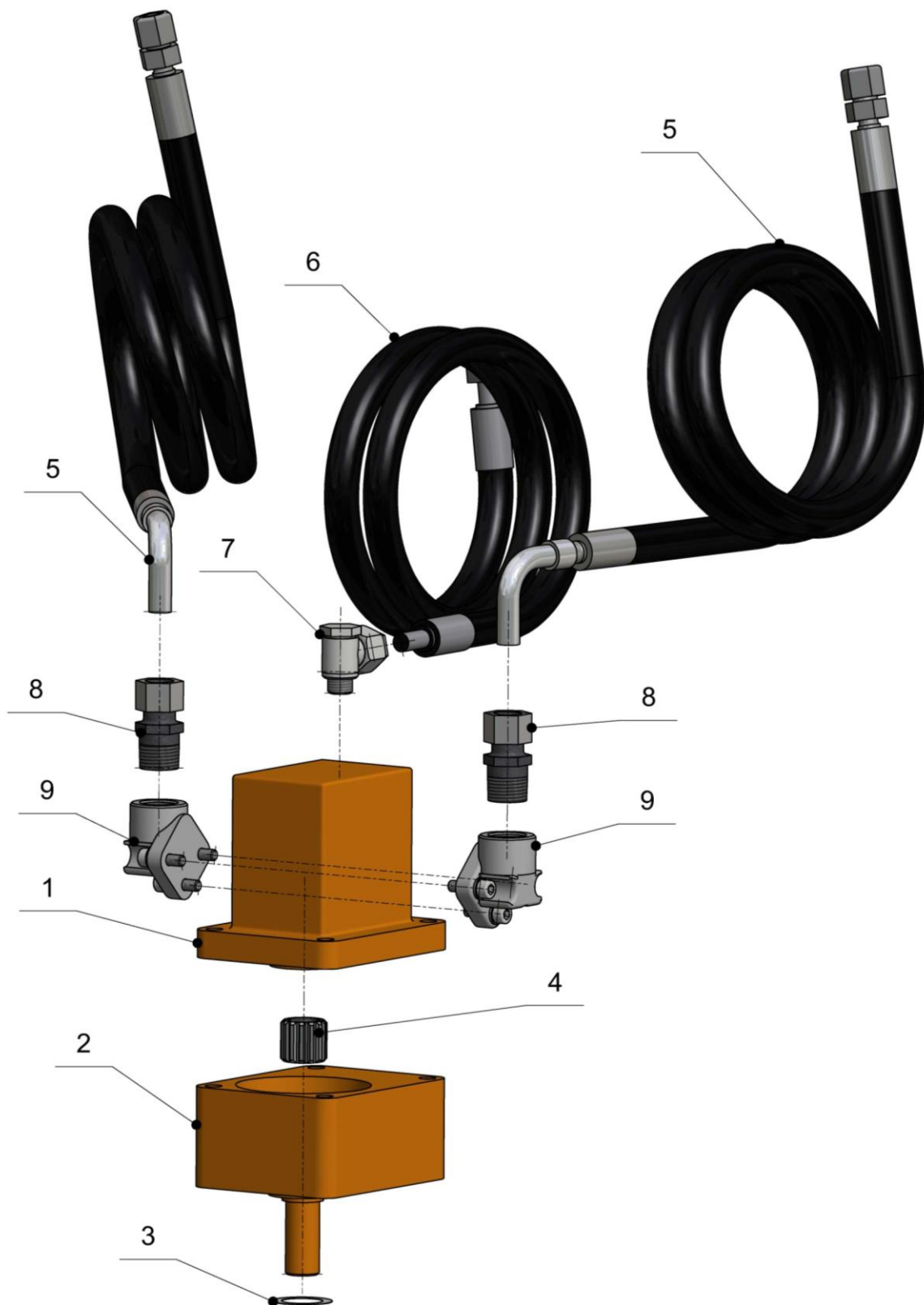
Spare parts list - Undervine sickle mower

Fig.	Item No.	Description	Notes
	(00735803) (007358031)	Turntable system for sickle mower, right Turntable system for sickle mower, left	
1	00735809	Welded assembly, knife plate, with bush	
2	0073580503	Bearing pin for sickle mower slide plate	
3	3062052	Grooved ball bearing 6205 2RS	
4	210251	Circlip A25	
5	210520	Circlip I52	
6	53725524	sealing ring	
7	139123001	Counter sunk bolt 8.8 M12x30 Zn	
8	15112001	self-locking nut	
9	97802 (978021)	Blade for undervine mower R/H Blade for undervine mower L/H	
10	0073580301	Slide plate for sickle mulcher	
11	132121740	Cutter screw 12.9 M12x17 bl	



Spare parts list - Undervine sickle mower

Fig.	Item No.	Description	Notes
	(00735804) (007358041)	Rubber guard for sickle mower, complete, right Rubber guard for sickle mower, complete, left	
1	0073580401	Rubber guard for sickle mower	
2	0073580402	Stainless steel panel for rubber guard	
3	15106001	self-locking nut 8.8 M6 Zn niedr. Form	
4	148062091	Pan head screw M6x20 Zn	



Spare parts list - Undervine sickle mower

Fig.	Item No.	Description	Notes
	<i>(00735808)</i>	Hydraulic motor with attachment components, complete	
1	580408113	Hydraulic motor for sickle mower	
2	0073580801	End bearing for hydraulic motor for sickle mower	
3	211223202	Adjusting washer 22x32x0,2	
4	0073580802	Bushing for sickle mower	
5	5406012101500	hydraulic tube g/90 m/o L12/12 NW10x1500	
6	5402010081500	straight hydro tube mutual g/g o/m left 10/10 NW8x1500	
7	50201011	angle screw fitting 10L M14x1,5	
8	50061271	Hydraulic nipples 1/2" GEV 12L R 1/2"	
9	5031301211	Bracket for sickle mower motor	



Australian Distributor

**AUSTRALIAN AGRICULTURE & VITICULTURE
SUPPLIES**

ph: 08 8326 0848

email: salesteam@aavsupplies.com.au

address: 40A O'Sullivan Beach Rd, Lonsdale, SA 5160

Web: www.aavsupplies.com.au

